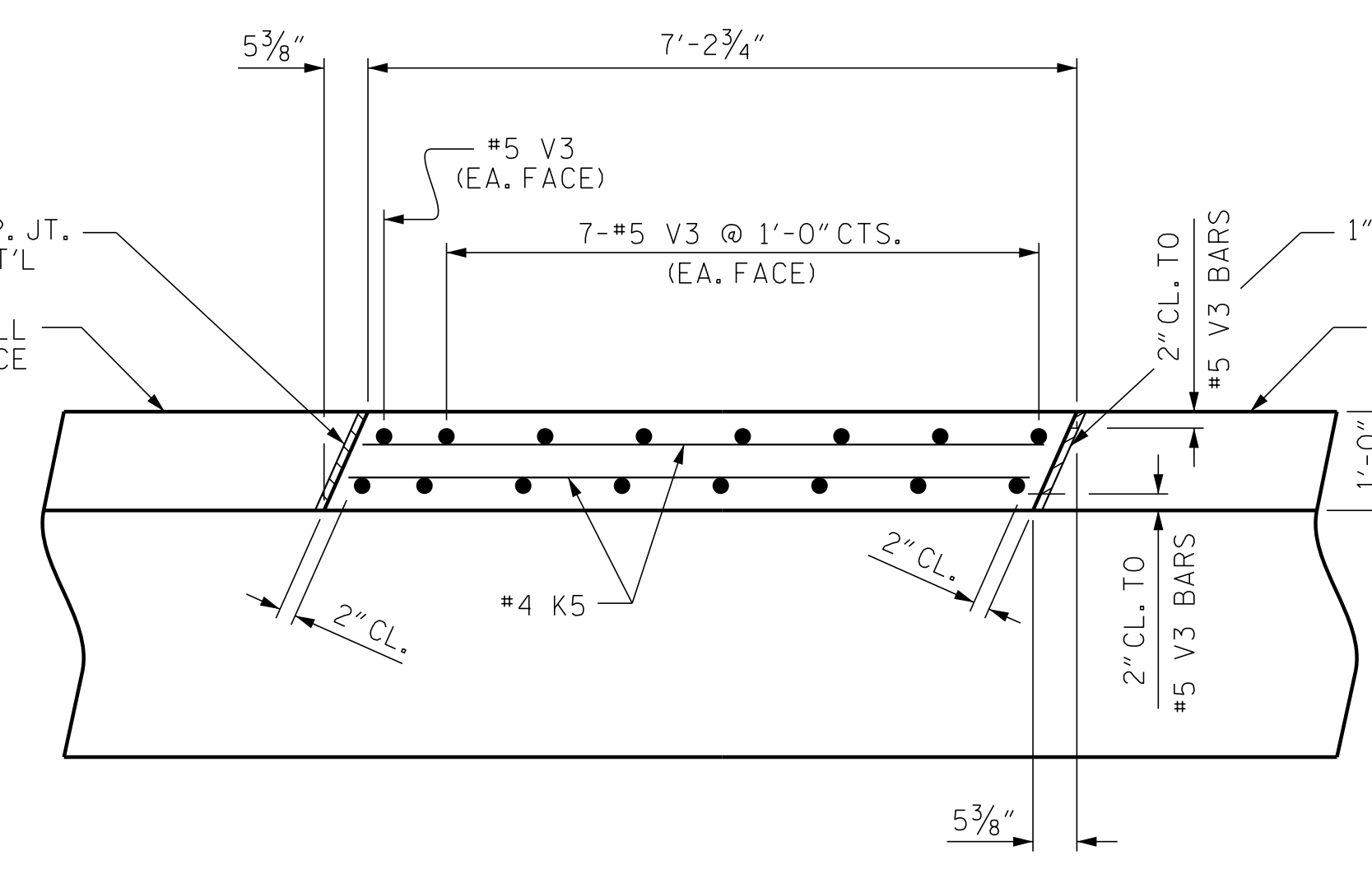
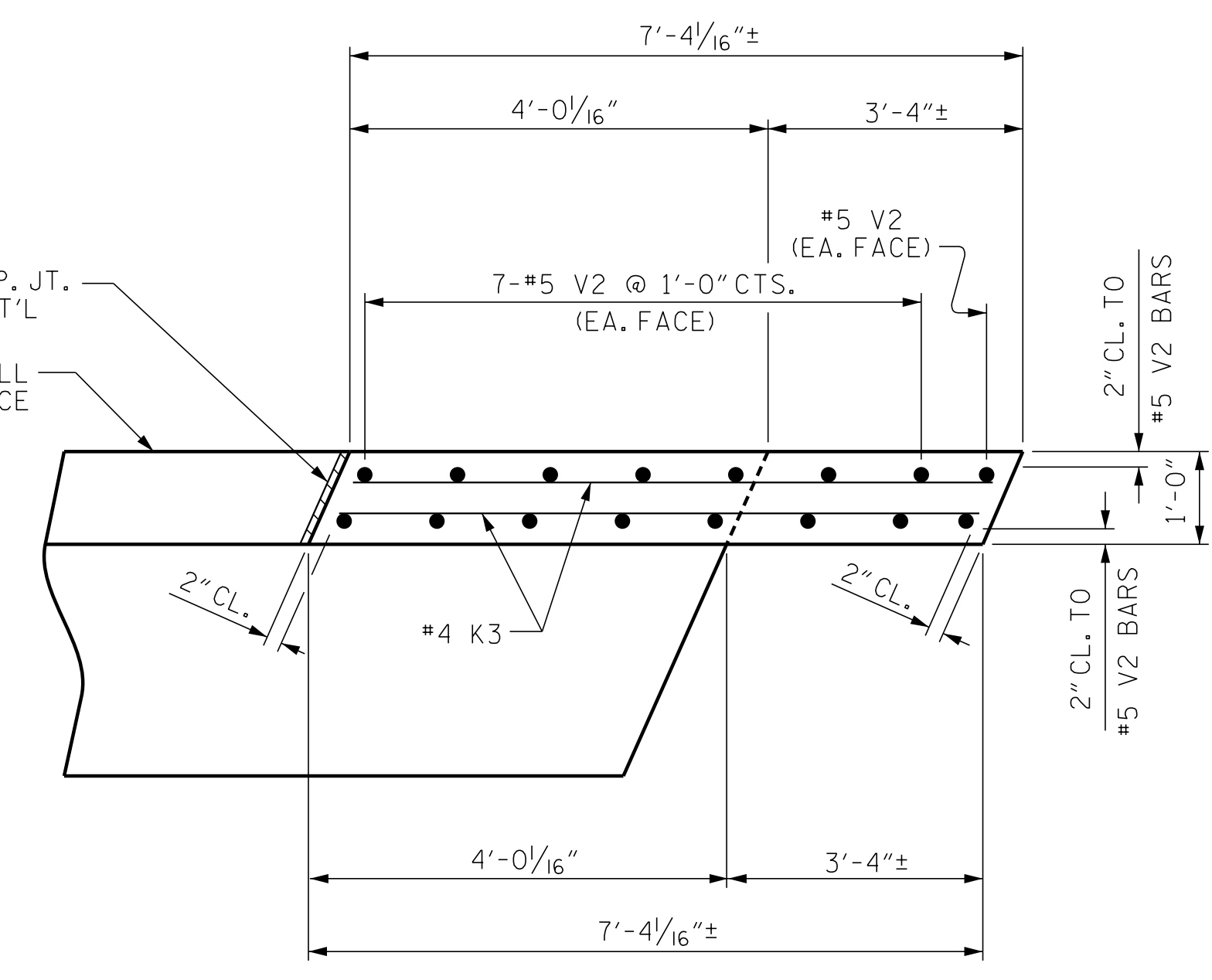


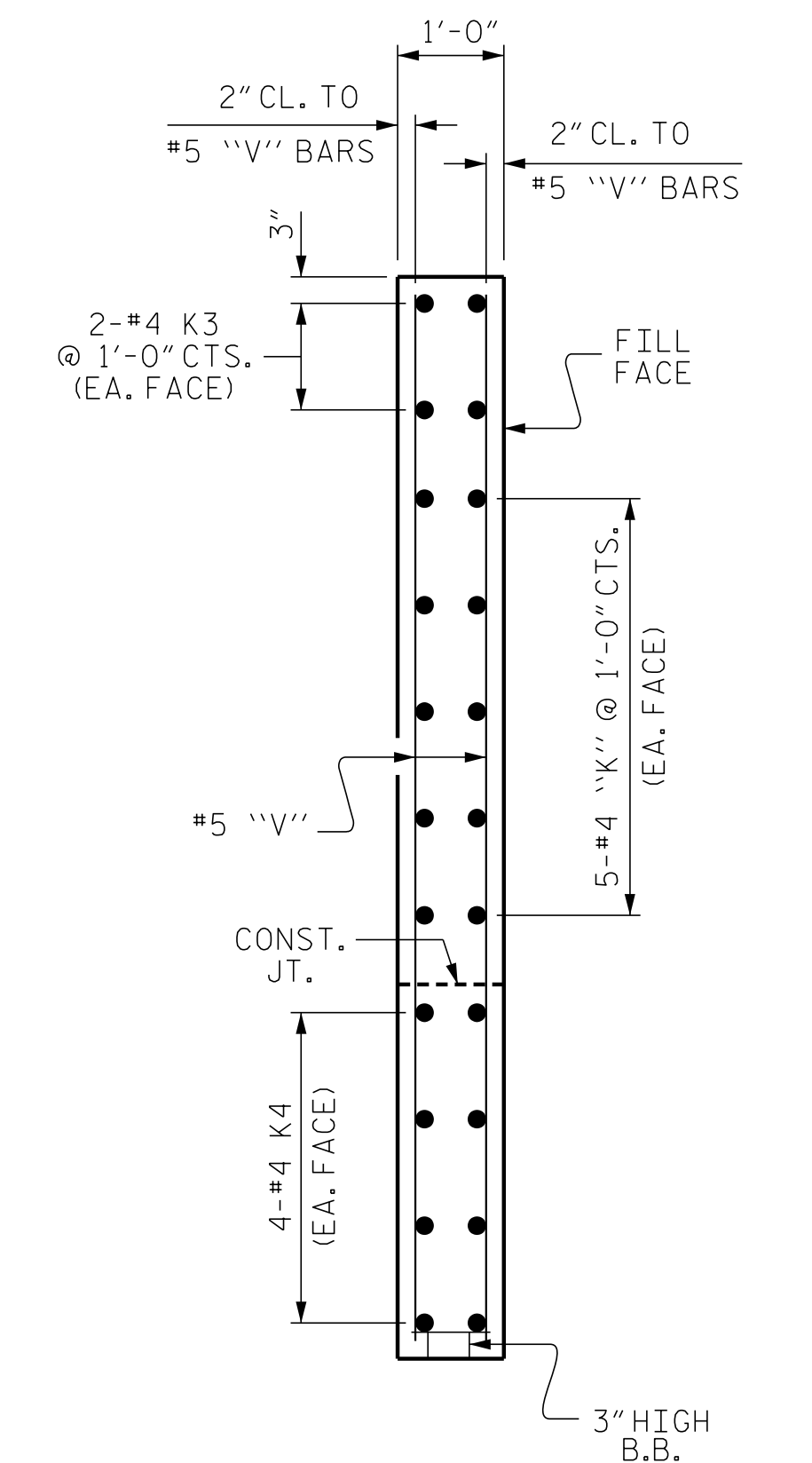
PLAN OF LEFT EARWALL



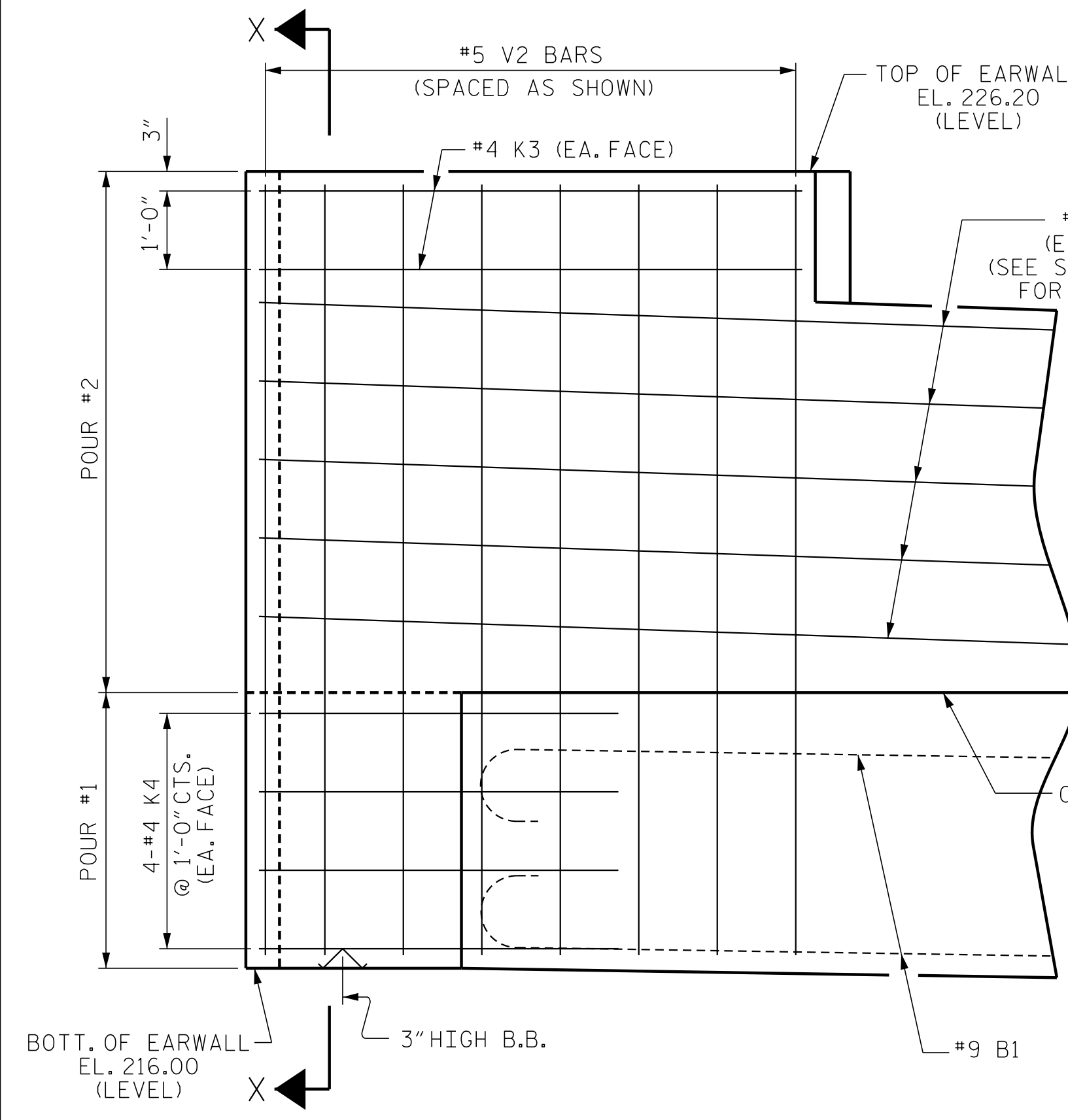
PLAN OF CENTER RAISED BACKWALL



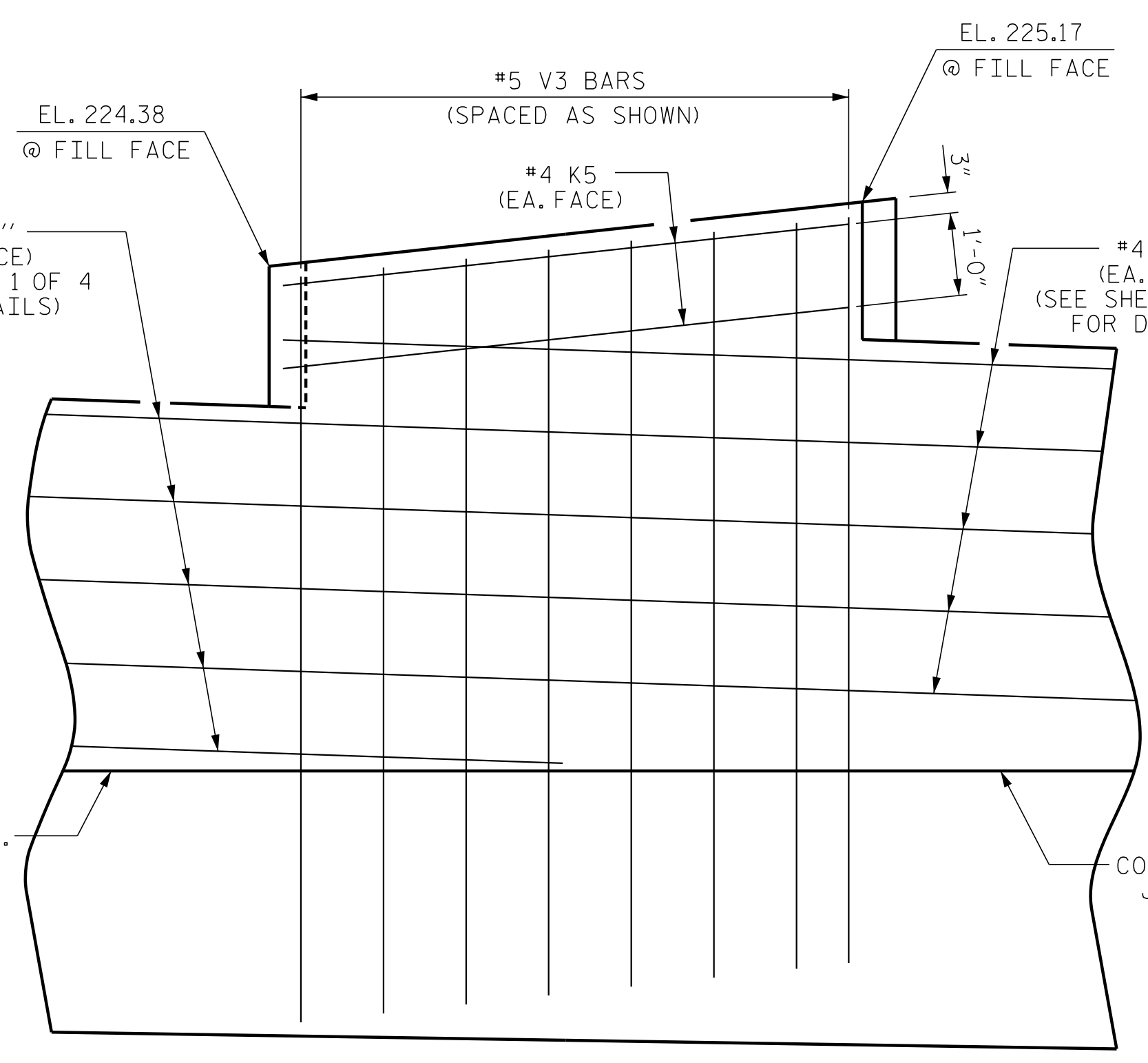
PLAN OF RIGHT EARWALL



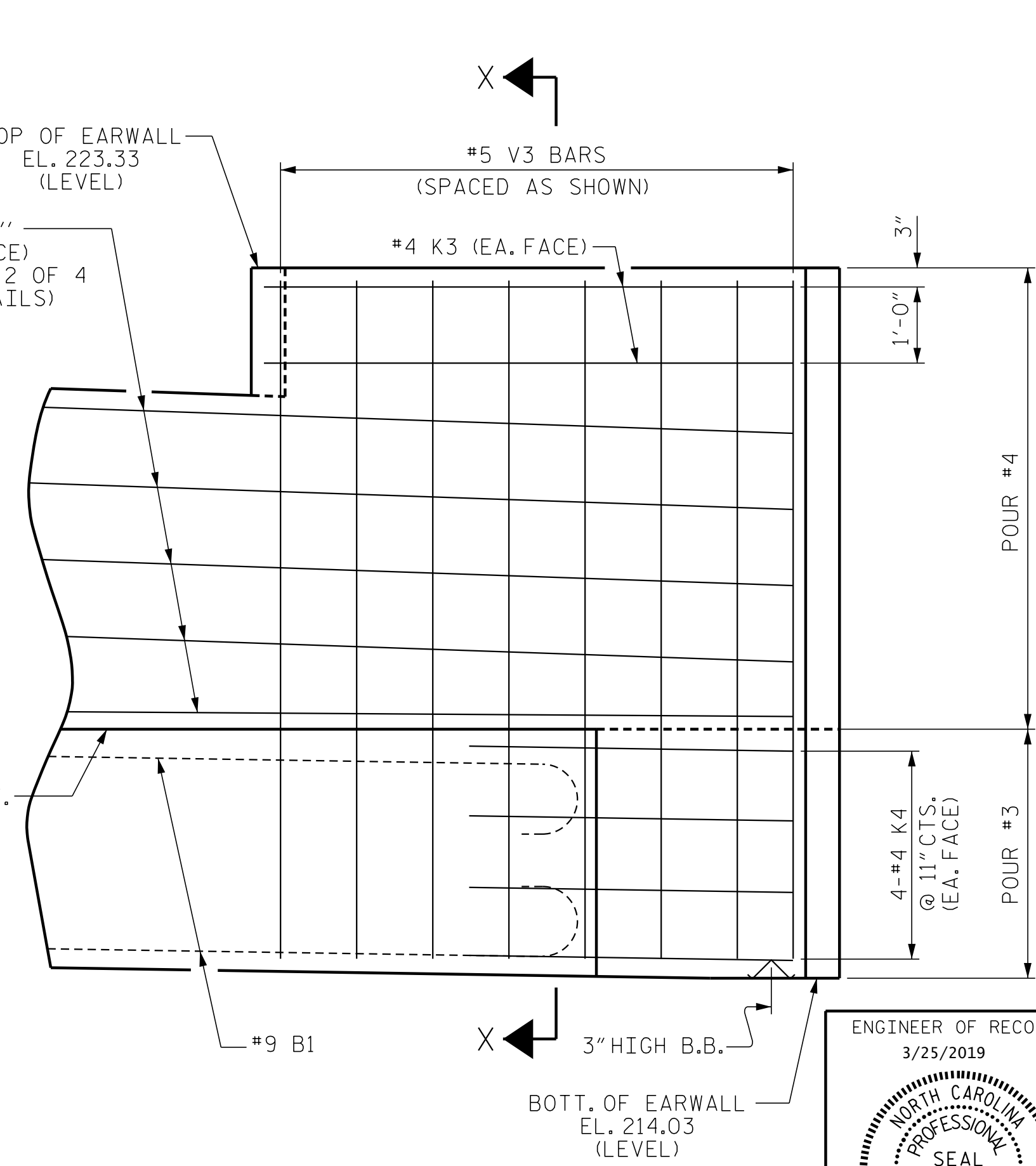
SECTION X-X



ELEVATION OF LEFT EARWALL

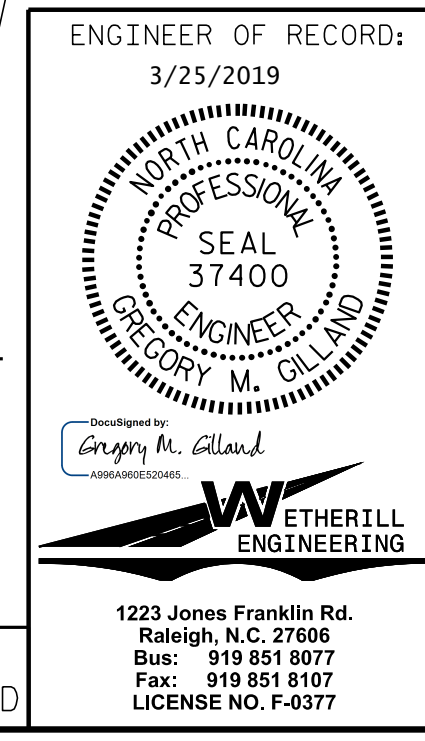


ELEVATION OF CENTER RAISED BACKWALL



ELEVATION OF RIGHT EARWALL

PROJECT NO. W-5600
 JOHNSTON COUNTY
 STATION: 217+31.76 -L-
 SHEET 3 OF 4



STATE OF NORTH CAROLINA DEPARTMENT OF TRANSPORTATION RALEIGH					
SUBSTRUCTURE END BENT No. 2					
REVISIONS					
NO.	BY:	DATE:	NO.	BY:	DATE:
1			3		
2			4		
SHEET NO.					S1-22
TOTAL SHEETS					27

DRAWN BY: D. HODGE DATE: 2/18
 CHECKED BY: B.C. HUNT DATE: 2/18

DOCUMENT NOT CONSIDERED FINAL
 UNLESS ALL SIGNATURES COMPLETED

P:\2017\1712101\W-5600\USTO\Structures\DGM\L- over -Y9\DGN (LEFT LANE\W-5600_Y9_EB (LEFT&RIGHT LANE)_WE I.dgn
 3/20/2019 8:29:35 AM