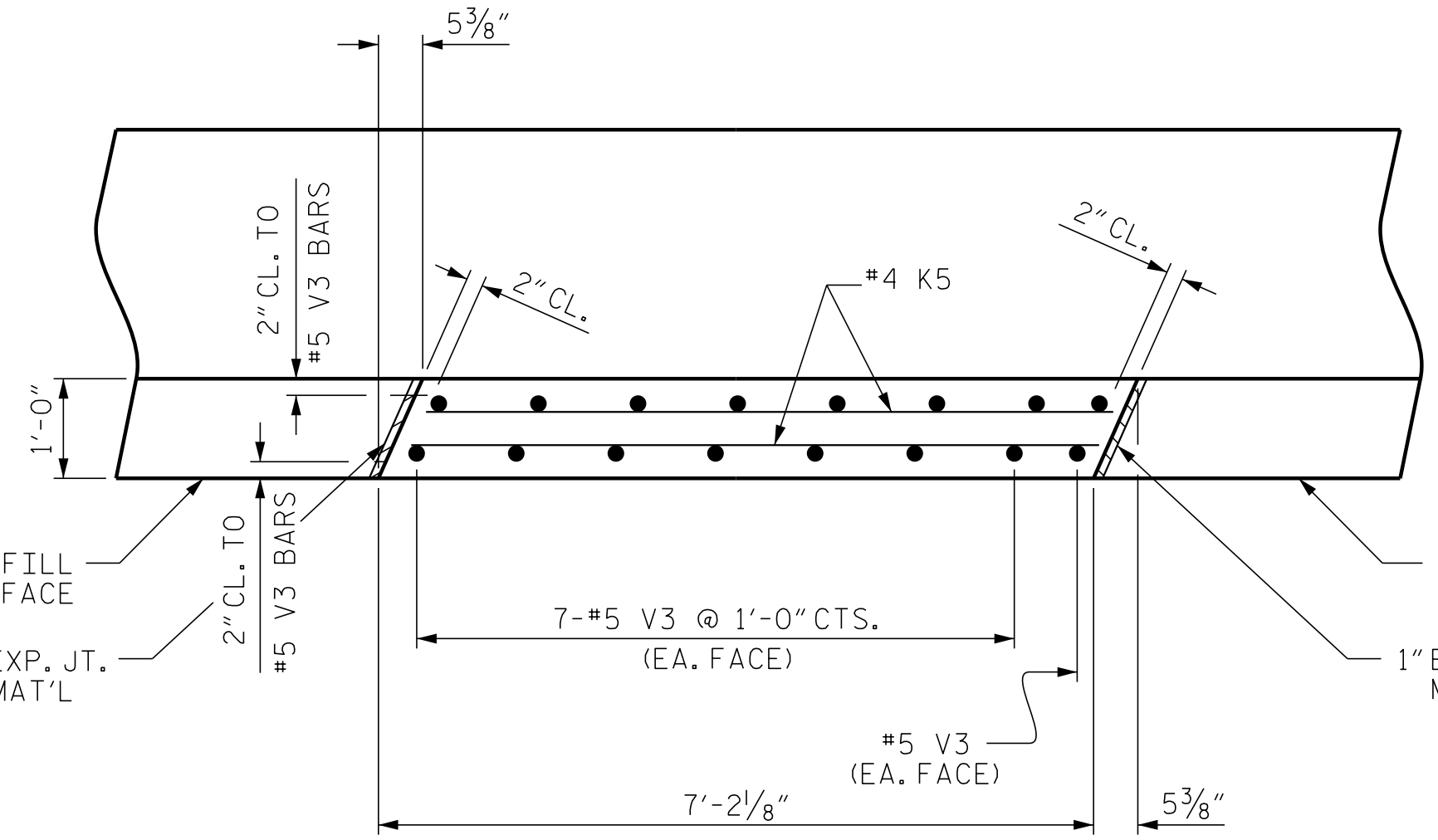
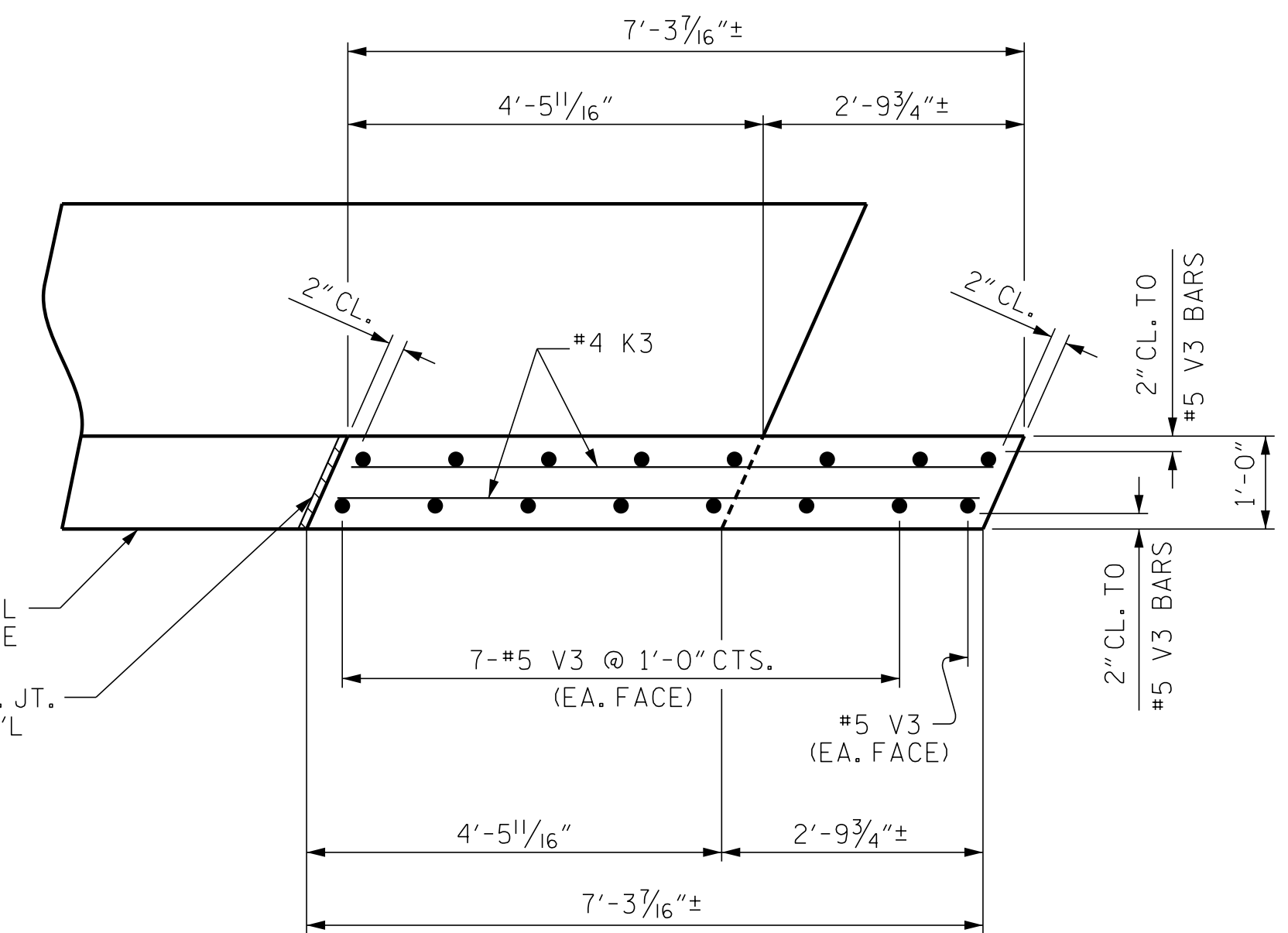


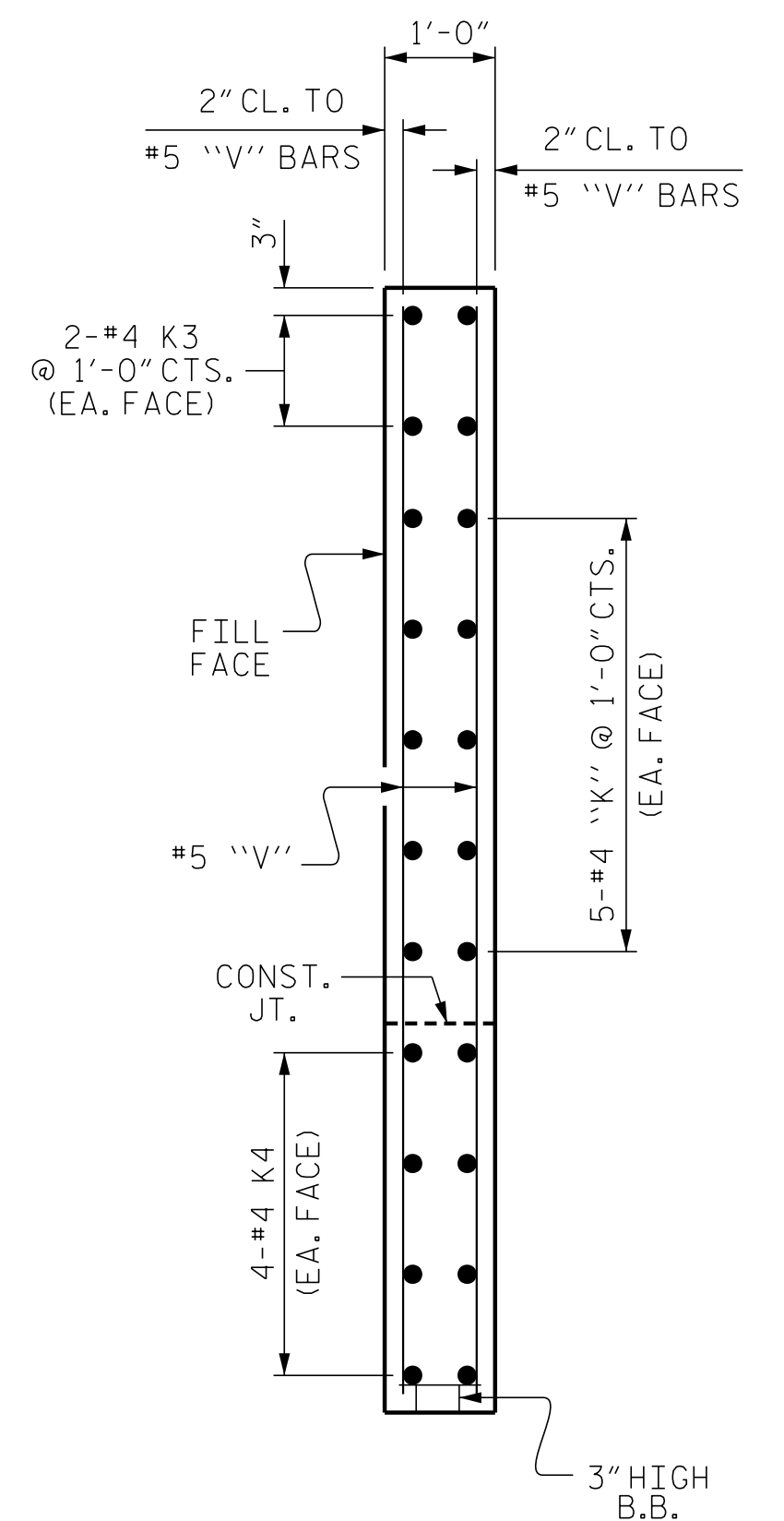
PLAN OF LEFT EARWALL



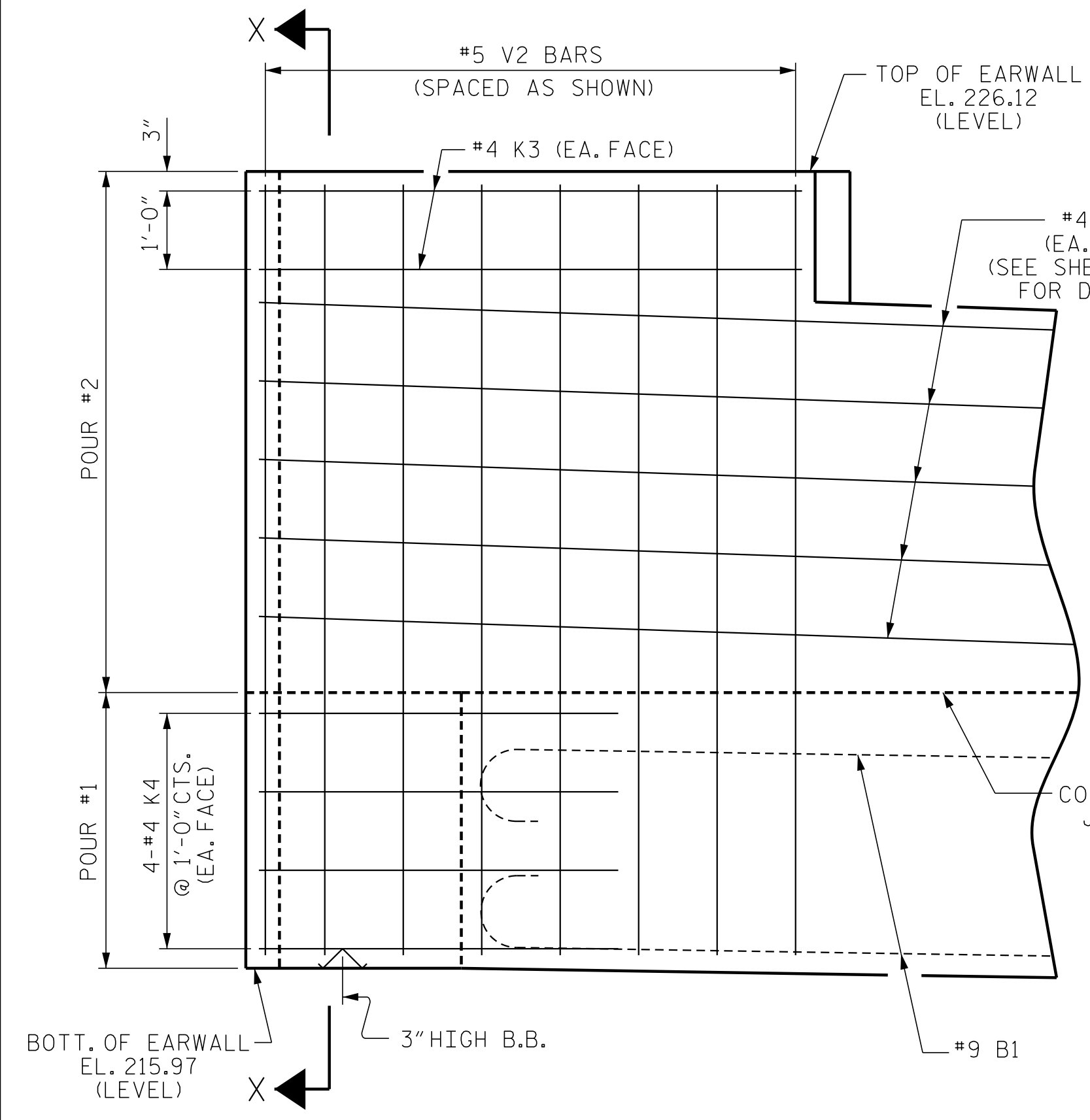
PLAN OF CENTER RAISED BACKWALL



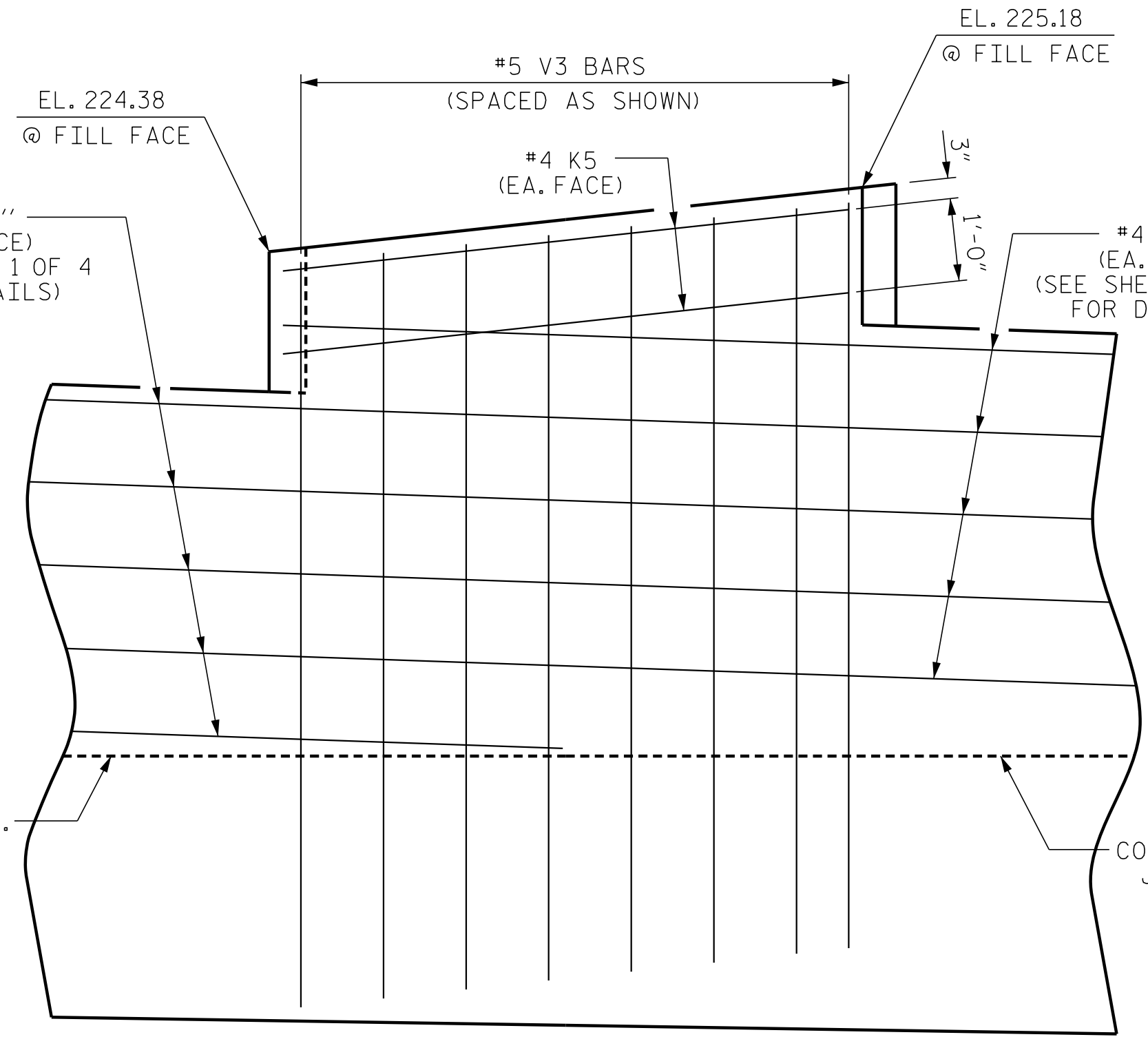
PLAN OF RIGHT EARWALL



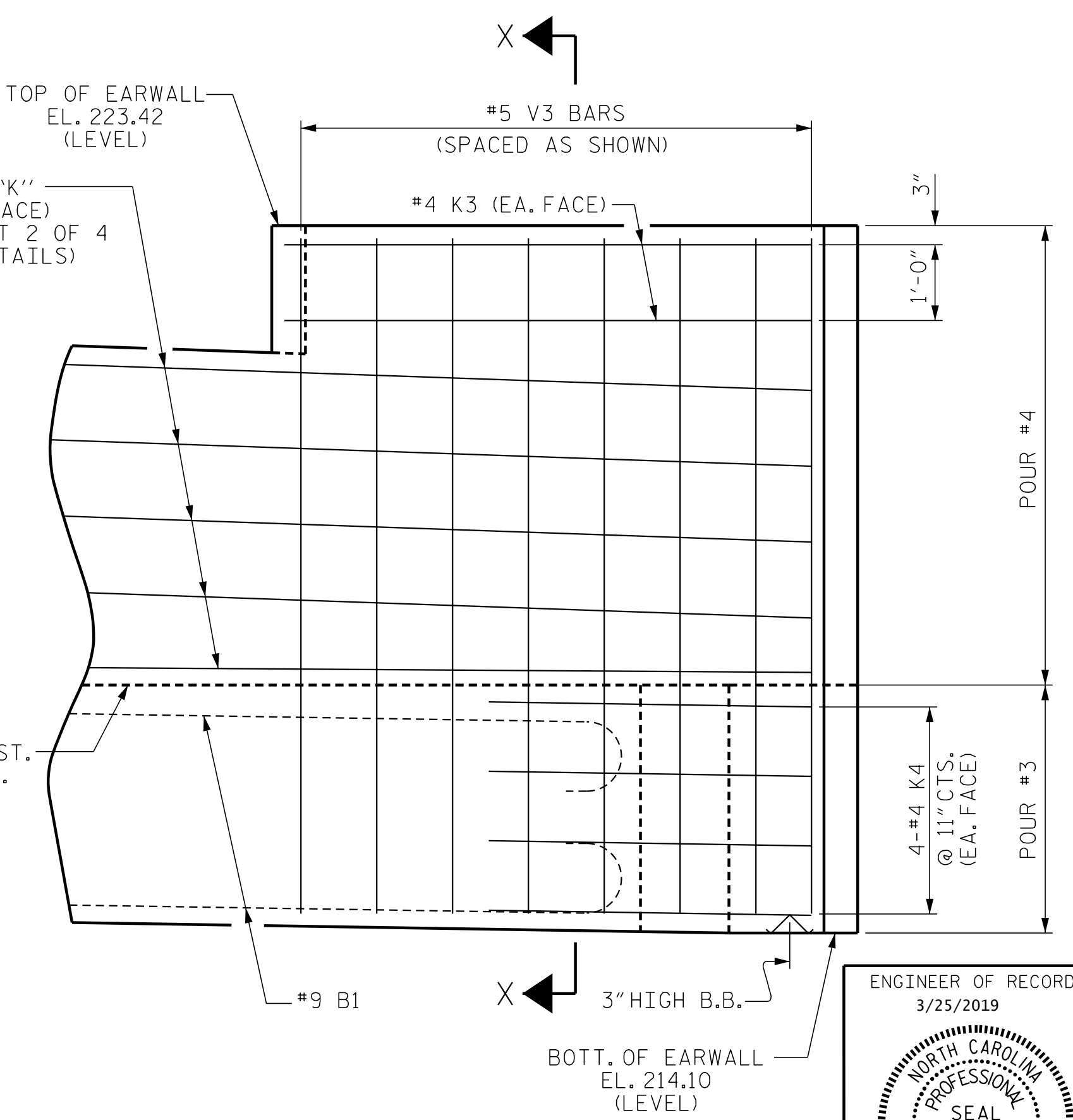
SECTION X-X



ELEVATION OF LEFT EARWALL



ELEVATION OF CENTER RAISED BACKWALL



ELEVATION OF RIGHT EARWALL

PROJECT NO. W-5600  
 JOHNSTON COUNTY  
 STATION: 217+31.76 -L-  
 SHEET 3 OF 4

P:\2017\1712101\W-5600\_STRUCTURES\DWG\L-Over-Y9\DGN (LEFT LANE\W-5600\_Y9\_EB (LEFT&RIGHT LANE)\_WE I.dgn  
 3/20/2019 8:20:37 AM

DRAWN BY: D. HODGE DATE: 2/18  
 CHECKED BY: B.C. HUNT DATE: 2/18

DOCUMENT NOT CONSIDERED FINAL  
 UNLESS ALL SIGNATURES COMPLETED

ENGINEER OF RECORD:  
 3/25/2019  
  
 Greg M. O'Neil  
 WETHERILL ENGINEERING

STATE OF NORTH CAROLINA DEPARTMENT OF TRANSPORTATION RALEIGH					
SUBSTRUCTURE END BENT No. 1					
REVISIONS					
NO.	BY:	DATE:	NO.	BY:	DATE:
1			3		
2			4		
					SHEET NO. S1-18 TOTAL SHEETS 27