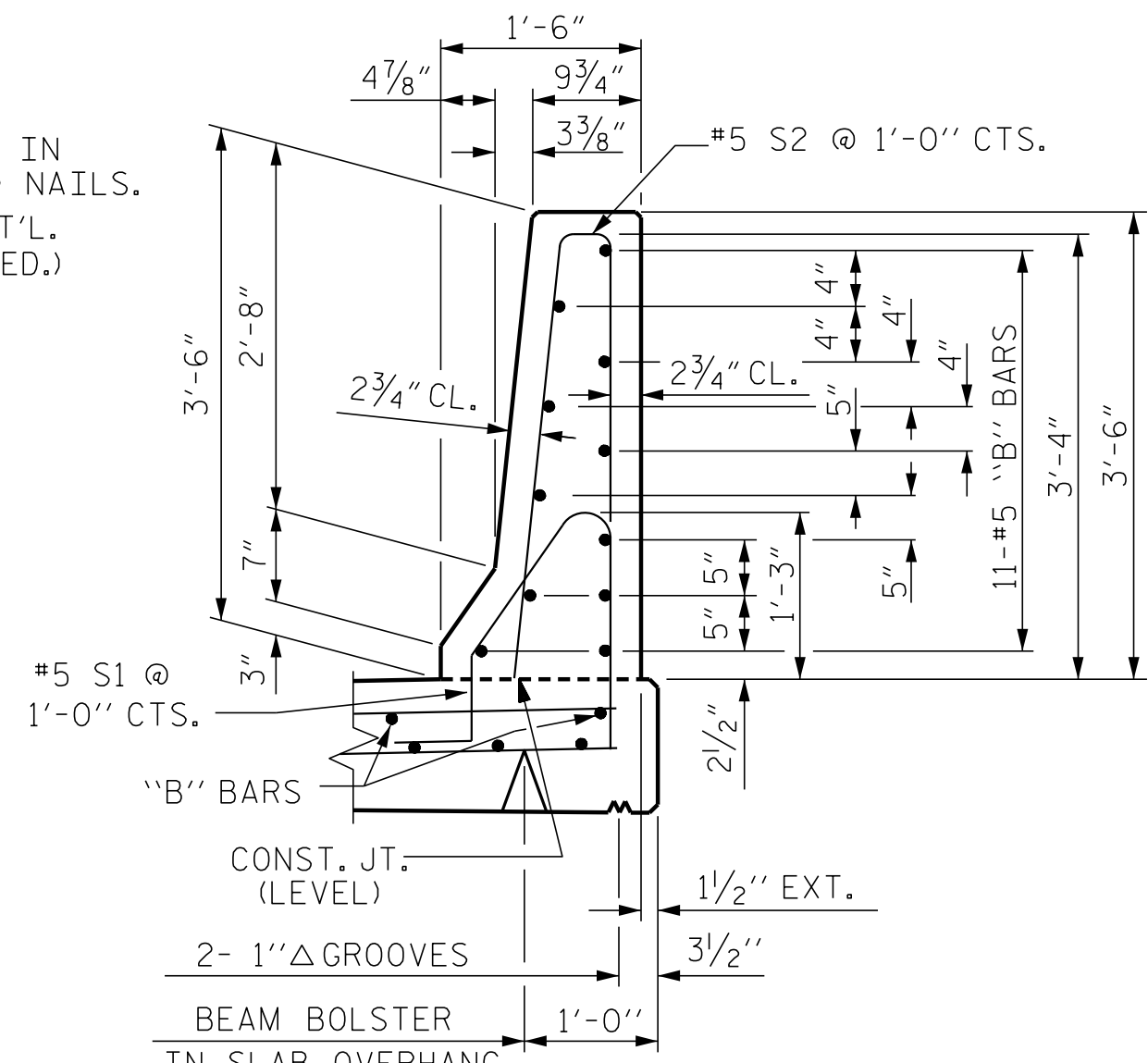
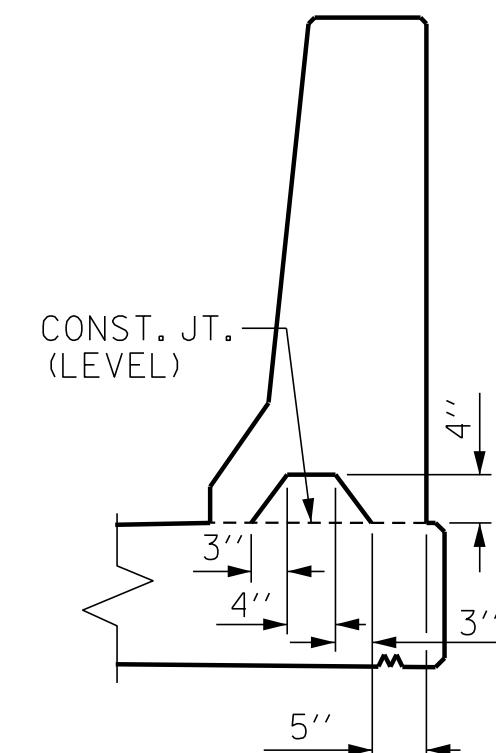


ELEVATION AT EXPANSION JOINTS



SECTION THRU RAIL



AT DAM IN OPEN JOINT (THIS IS TO BE USED ONLY WHEN SLIP FORM IS USED)

NOTES

THE BARRIER RAIL SHALL NOT BE CAST UNTIL ALL SLAB CONCRETE HAS BEEN CAST AND HAS REACHED A MINIMUM COMPRESSIVE STRENGTH OF 3,000 PSI.

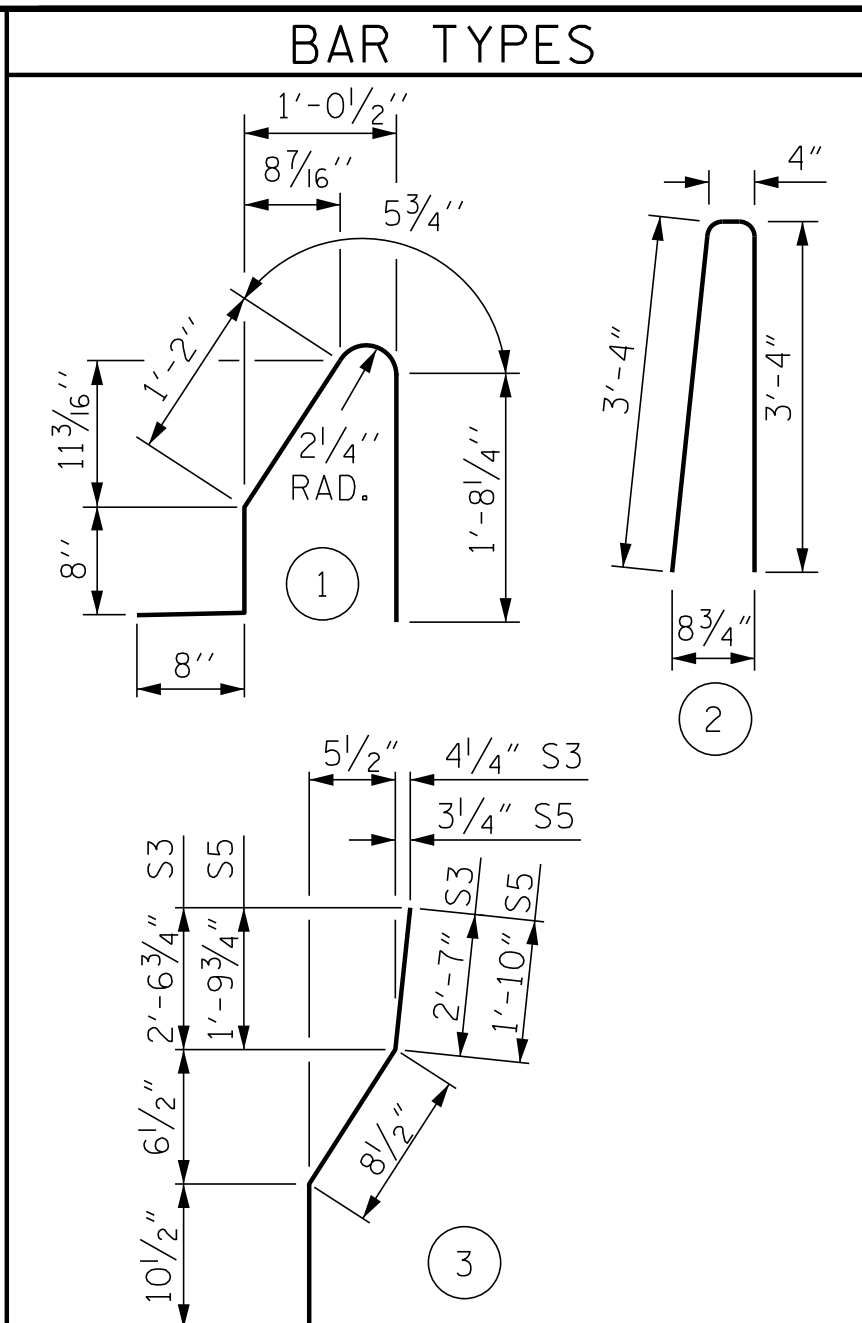
WHEN FOAM JOINT SEAL IS REQUIRED, THE JOINT IN THE DECK SHALL BE SAWED PRIOR TO THE CASTING OF BARRIER RAIL.

ALL REINFORCING STEEL IN BARRIER RAILS SHALL BE EPOXY COATED.

THE #5 S3, S4, S5 AND S6 BARS SHALL BE INSTALLED, USING AN ADHESIVE ANCHORING SYSTEM, AFTER SAWING THE JOINT. THE YIELD LOAD FOR THE #5 S3, S4, S5 AND S6 BARS IS 18.6 KIPS. FIELD TESTING FOR THE ADHESIVE BONDING SYSTEM IS NOT REQUIRED.

GROOVED CONTRACTION JOINTS, 1/2" IN DEPTH, SHALL BE TOOLED IN ALL EXPOSED FACES OF THE BARRIER RAIL AND IN ACCORDANCE WITH ARTICLE 825-10(B) OF THE STANDARD SPECIFICATIONS. THE CONTRACTION JOINT SHALL BE LOCATED AT EACH THIRD POINT BETWEEN BARRIER RAIL EXPANSION JOINTS. ONLY ONE CONTRACTION JOINT IS REQUIRED AT MIDPOINT OF BARRIER RAIL SEGMENTS LESS THAN 20 FEET IN LENGTH AND NO CONTRACTION JOINTS ARE REQUIRED FOR THOSE SEGMENTS LESS THAN 10 FEET IN LENGTH.

THE #5 S1 AND S2 BARS MAY BE SHIFTED SLIGHTLY IN ORDER TO MAINTAIN A 2" MINIMUM CLEARANCE TO THE 1/2" EXPANSION JOINT MATERIAL IN THE RAIL.



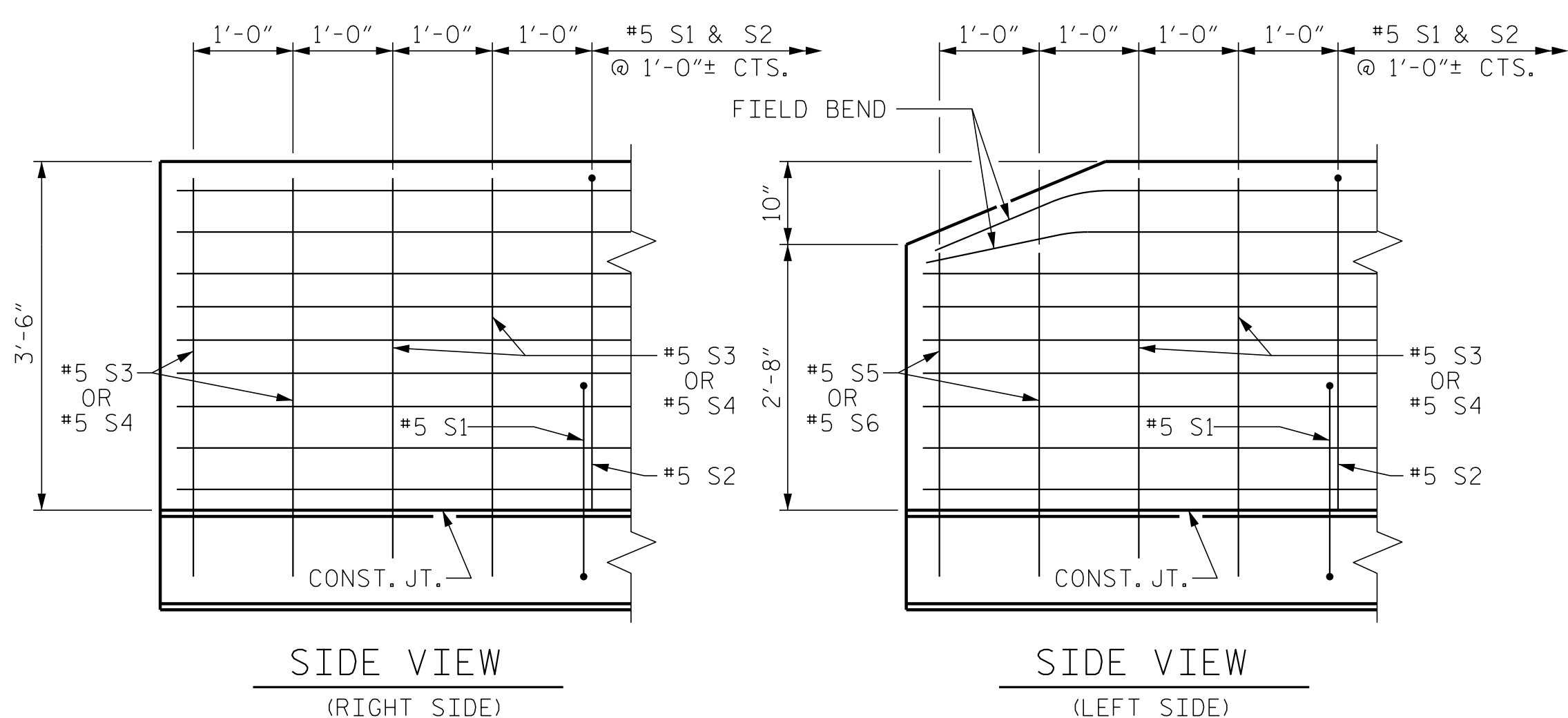
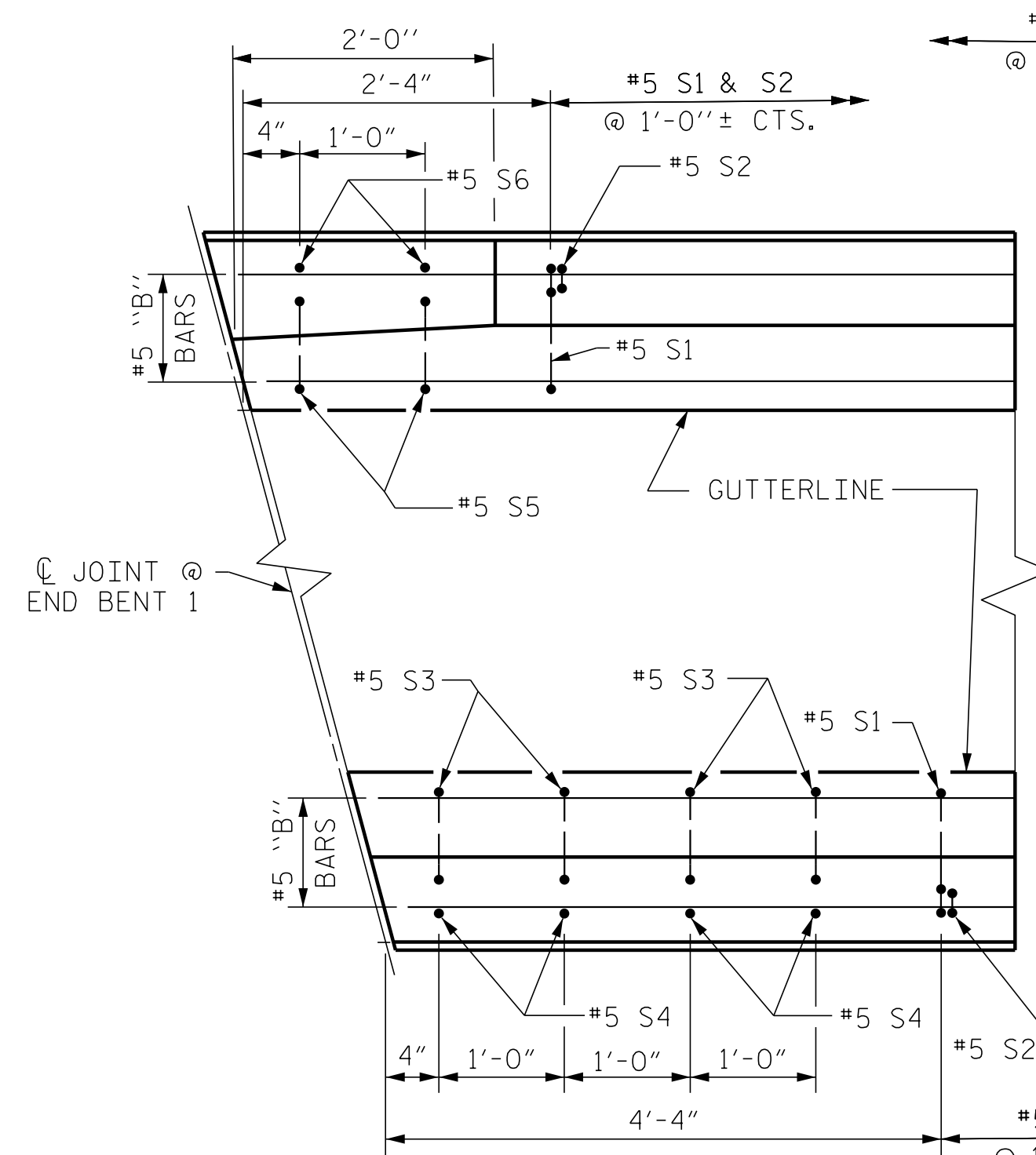
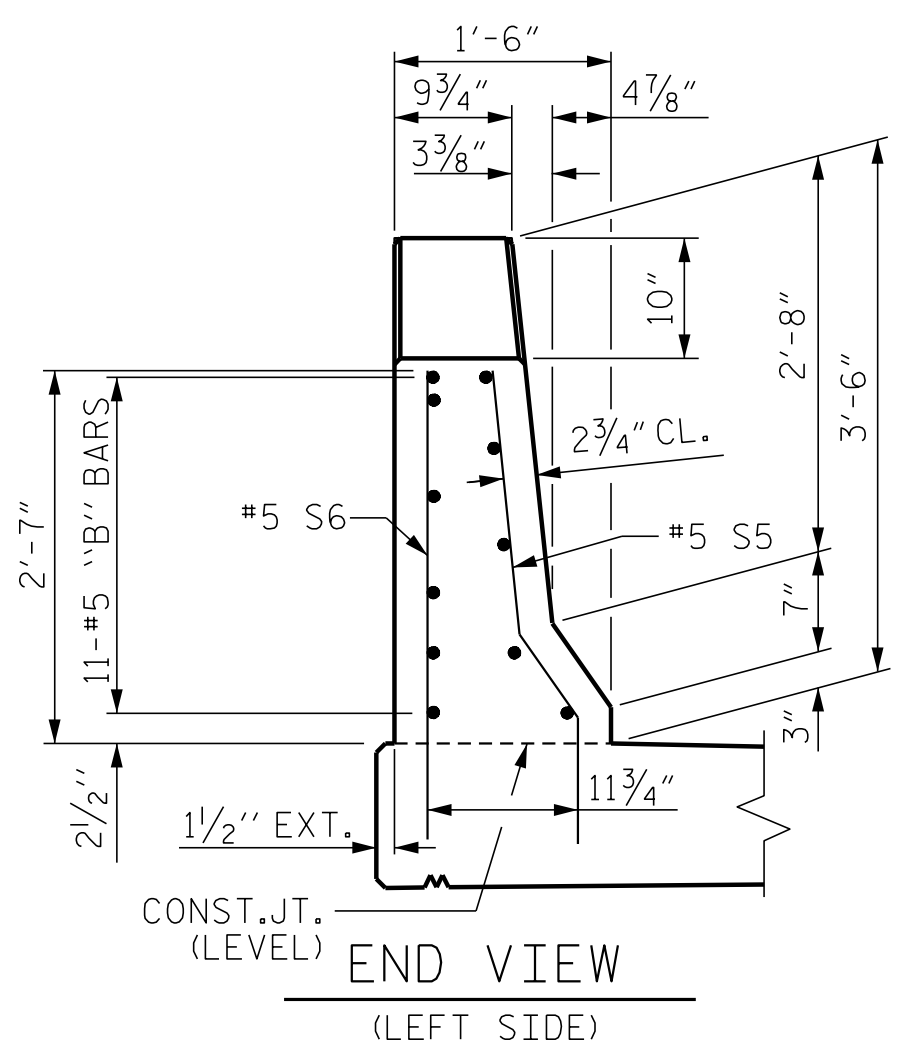
ALL BAR DIMENSIONS ARE OUT TO OUT

BILL OF MATERIAL

FOR CONCRETE BARRIER RAIL ONLY

BAR	No.	SIZE	TYPE	LENGTH	WEIGHT
* S1	178	#5	1	4'-8"	866
* S2	178	#5	2	7'-0"	1300
* S3	8	#5	3	4'-2"	35
* S4	8	#5	STR	4'-0"	33
* S5	4	#5	3	3'-5"	14
* S6	4	#5	STR	3'-3"	14
* B1	44	#5	STR	23'-4"	1071
* B2	88	#5	STR	13'-8"	1254

* EPOXY COATED REINFORCING STEEL	4587 LBS.
CLASS AA CONCRETE	25.9 CU. YDS.
CONCRETE BARRIER RAIL	190.27 LIN. FT.

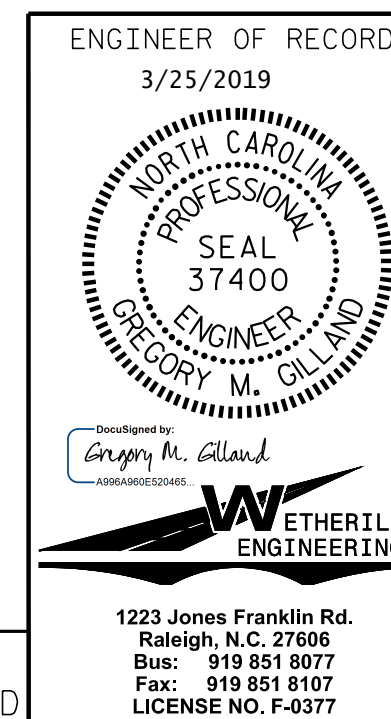


END OF RAIL DETAILS

FOR ADHESIVE ANCHORING AT SAWED JOINTS

PROJECT NO. W-5600  
JOHNSTON COUNTY  
STATION: 217+31.76 -L-

SHEET 2 OF 2



STATE OF NORTH CAROLINA DEPARTMENT OF TRANSPORTATION RALEIGH					
STANDARD CONCRETE BARRIER RAIL (LEFT LANE)					
REVISIONS					
NO.	BY:	DATE:	NO.	BY:	DATE:
1			3		
2			4		

ASSEMBLED BY : J. PENDERGRAFT	DATE : 12-17
CHECKED BY : D. HODGE	DATE : 1-18
DRAWN BY : ARB 5/87	REV. 7/12 MAA/GM
CHECKED BY : SJD 9/87	REV. 6/13 MAA/GM
	REV. 12/17 MAA/THC

DOCUMENT NOT CONSIDERED FINAL  
UNLESS ALL SIGNATURES COMPLETED

1223 Jones Franklin Rd.  
Raleigh, N.C. 27606  
Bus: 919 851 8077  
Fax: 919 851 8107  
LICENSE NO. F-0377

SHEET NO. S1-13  
TOTAL SHEETS 27

STD. NO. CBR1 (SHT 3)