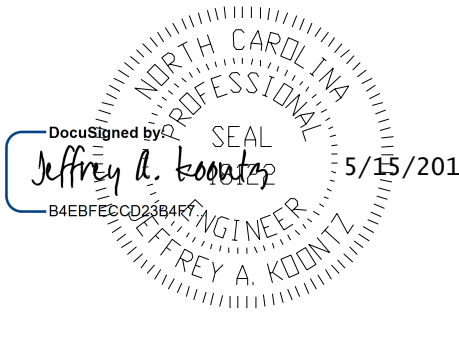


T.I.P.: 15BPR.20

CONTRACT: C204202

**STATE OF NORTH CAROLINA
DEPARTMENT OF TRANSPORTATION**

**PAVEMENT MARKING PLAN
HENDERSON COUNTY**

TIP NO. 15BRP . 20	SHEET NO. PMP - 1
APPROVED: _____	
DATE: _____	
	
DOCUMENT NOT CONSIDERED FINAL UNLESS ALL SIGNATURES COMPLETED	

INDEX	
SHEET NO.	DESCRIPTION
PMP-1	PAVEMENT MARKING PLAN TITLE AND SCHEDULE SHEET
PMP-2 TO 4	PAVEMENT MARKING DETAIL

ROADWAY STANDARD DRAWING

THE FOLLOWING ROADWAY STANDARDS AS APPEAR IN "ROADWAY STANDARD DRAWINGS" - PROJECT SERVICES UNIT - N.C. DEPARTMENT OF TRANSPORTATION - RALEIGH, N.C., DATED JANUARY 2018 ARE APPLICABLE TO THIS PROJECT AND BY REFERENCE HEREBY ARE CONSIDERED A PART OF THESE PLANS:

STD. NO.	TITLE
1205.01	PAVEMENT MARKINGS - LINE TYPES AND OFFSETS
1205.02	PAVEMENT MARKINGS - TWO-LANE AND MULTILANE ROADWAYS
1205.12	PAVEMENT MARKINGS - BRIDGES
1250.01	RAISED PAVEMENT MARKERS - INSTALLATION SPACING
1251.01	RAISED PAVEMENT MARKERS - PERMANENT AND TEMPORARY
1253.01	RAISED PAVEMENT MARKERS - SNOWPLOWABLE
1261.01	GUARDRAIL AND BARRIER DELINEATORS - INSTALLATION SPACING
1261.02	GUARDRAIL AND BARRIER DELINEATORS - TYPES AND MOUNTING
1262.01	GUARDRAIL END DELINEATION

GENERAL NOTES

THE FOLLOWING GENERAL NOTES APPLY AT ALL TIMES FOR THE DURATION OF THE CONSTRUCTION PROJECT, EXCEPT WHEN OTHERWISE NOTED IN THE PLAN, OR DIRECTED BY THE ENGINEER.

A) INSTALL PAVEMENT MARKINGS AND PAVEMENT MARKERS ON THE FINAL SURFACE AS FOLLOWS:

ROAD NAME	MARKING	MARKER
-L- I-26	THERMOPLASTIC	SNOWPLOWABLE RAISED
-L- I-26 (BRIDGE)	POLYUREA	PERMANENT RAISED

B) TIE PROPOSED PAVEMENT MARKING LINES TO EXISTING PAVEMENT MARKING LINES.

C) REMOVE/REPLACE ANY CONFLICTING/DAMAGED PAVEMENT MARKINGS AND MARKERS.

D) REMOVE ALL RESIDUE AND SURFACE LAITANCE BY ACCEPTABLE METHODS ON CONCRETE BRIDGE DECKS PRIOR TO PLACING POLYUREA PAVEMENT MARKING MATERIAL.

FINAL PAVEMENT MARKING SCHEDULE

SYMBOL	DESCRIPTION
<u>THERMOPLASTIC (6", 90 MILS)</u>	
T6	WHITE EDGELINE
T7	YELLOW EDGELINE
TJ	10' WHITE SKIP
<u>POLYUREA (6")</u>	
V6	WHITE EDGELINE
V7	YELLOW EDGELINE
VJ	10' WHITE SKIP
<u>PERMANENT RAISED PAVEMENT MARKERS</u>	
MB	CRYSTAL & RED
<u>SNOWPLOWABLE RAISED PAVEMENT MARKERS</u>	
MF	CRYSTAL & RED

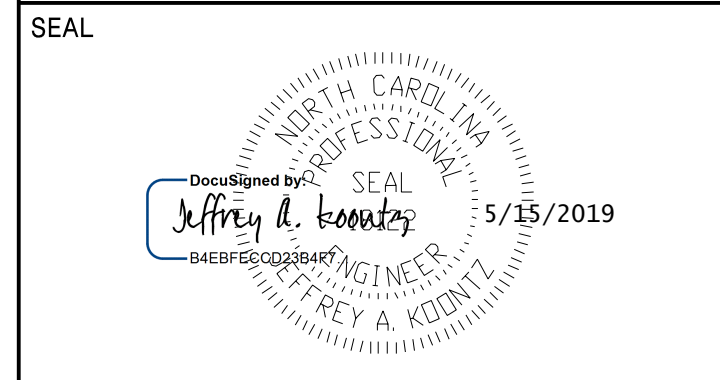
PLAN SUBMITTED TO:	
_____ <i>Jacob Dockery</i>	

PLAN PREPARED BY:	
_____ <i>Neil J. Dean, PE</i> Project Engineer	
NC FIRM LICENSE No: F-0342 701 Corporate Center Drive, Suite 475 Raleigh, NC 27607 (919) 854-6200 - (919) 854-6259(FAX)	

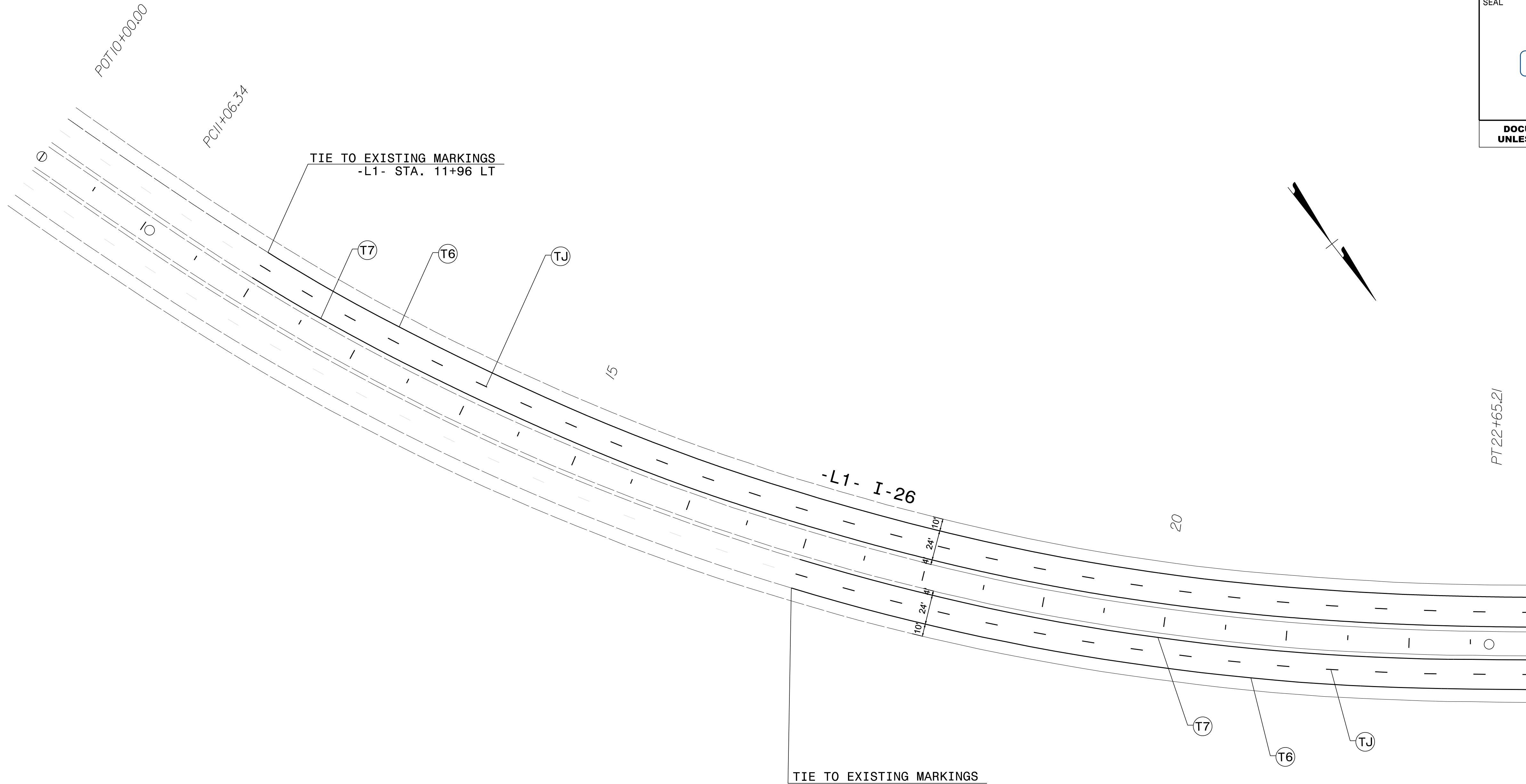
5/14/2019
H:\Tran\15BPR\CADD\15BPR\15BPR.20.TC.PMP01.dgn
User: jef.koontz

APPROVED: _____

DATE: _____



**DOCUMENT NOT CONSIDERED FINAL
UNLESS ALL SIGNATURES COMPLETED**



FINAL PAVEMENT MARKING SCHEDULE

SYMBOL	DESCRIPTION
<u>THERMOPLASTIC (6", 90 MILS)</u>	
T6	WHITE EDGELINE
T7	YELLOW EDGELINE
TJ	10' WHITE SKIP
<u>POLYUREA (6")</u>	
V6	WHITE EDGELINE
V7	YELLOW EDGELINE
VJ	10' WHITE SKIP
<u>PERMANENT RAISED PAVEMENT MARKERS</u>	
MB	CRYSTAL & RED
<u>SNOWPLOWABLE RAISED PAVEMENT MARKERS</u>	
MF	CRYSTAL & RED

MATCHLINE - L - 23+00
SEE SHEET PMP-03

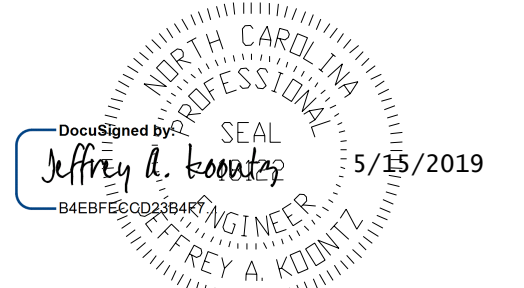
PAVEMENT MARKING DETAIL

5/14/2019
R:\Trg\Signing\CADD\PMF\15bpr.20_TC_PMP02.dgn
User: jf.koontz

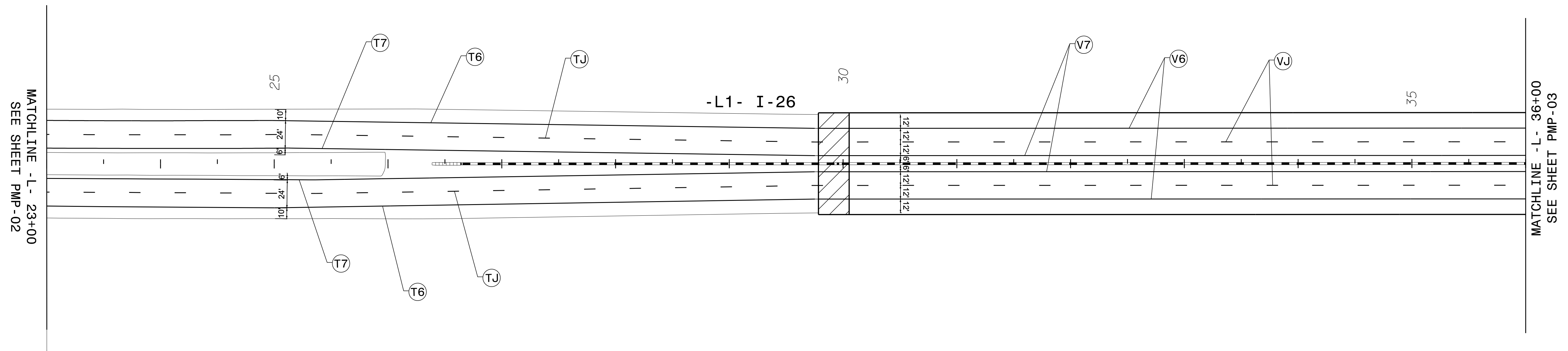
APPROVED: _____

DATE: _____

SEAL



**DOCUMENT NOT CONSIDERED FINAL
UNLESS ALL SIGNATURES COMPLETED**



FINAL PAVEMENT MARKING SCHEDULE

SYMBOL	DESCRIPTION
<u>THERMOPLASTIC (6", 90 MILS)</u>	
T6	WHITE EDGELINE
T7	YELLOW EDGELINE
TJ	10' WHITE SKIP
<u>POLYUREA (6")</u>	
V6	WHITE EDGELINE
V7	YELLOW EDGELINE
VJ	10' WHITE SKIP
<u>PERMANENT RAISED PAVEMENT MARKERS</u>	
MB	CRYSTAL & RED
<u>SNOWPLOWABLE RAISED PAVEMENT MARKERS</u>	
MF	CRYSTAL & RED

PAVEMENT MARKING DETAIL

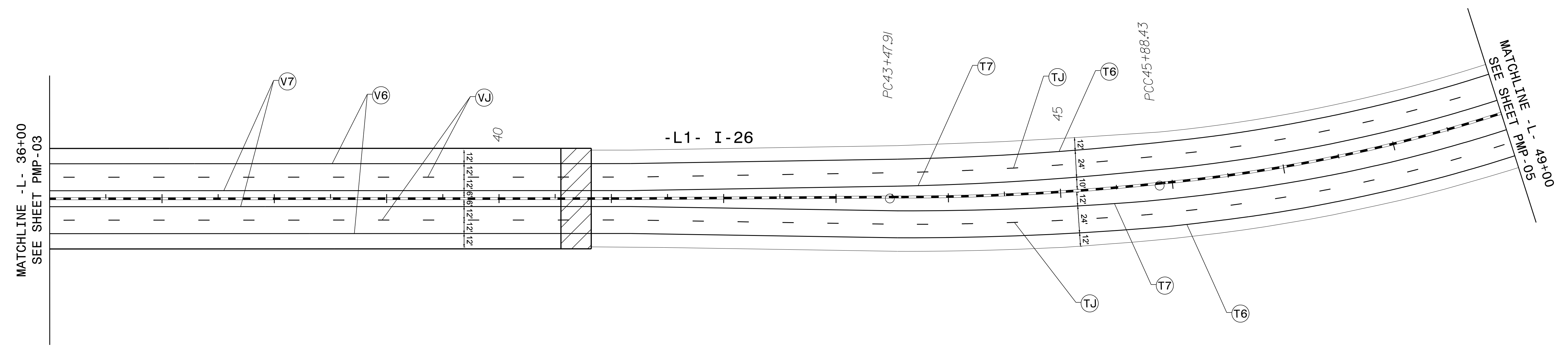
5/14/2019
 R:\Trg\15BPR\15BPR\CADD\PMF\15bpr-20_TC_PMP03.dgn
 User: jef.koontz

APPROVED: _____

DATE: _____

SEAL

**DOCUMENT NOT CONSIDERED FINAL
UNLESS ALL SIGNATURES COMPLETED**



FINAL PAVEMENT MARKING SCHEDULE

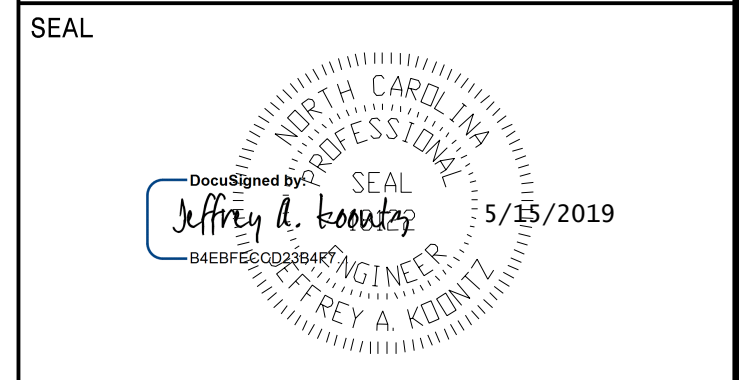
SYMBOL	DESCRIPTION
<u>THERMOPLASTIC (6", 90 MILS)</u>	
T6	WHITE EDGELINE
T7	YELLOW EDGELINE
TJ	10' WHITE SKIP
<u>POLYUREA (6")</u>	
V6	WHITE EDGELINE
V7	YELLOW EDGELINE
VJ	10' WHITE SKIP
<u>PERMANENT RAISED PAVEMENT MARKERS</u>	
MB	CRYSTAL & RED
<u>SNOWPLOWABLE RAISED PAVEMENT MARKERS</u>	
MF	CRYSTAL & RED

PAVEMENT MARKING DETAIL

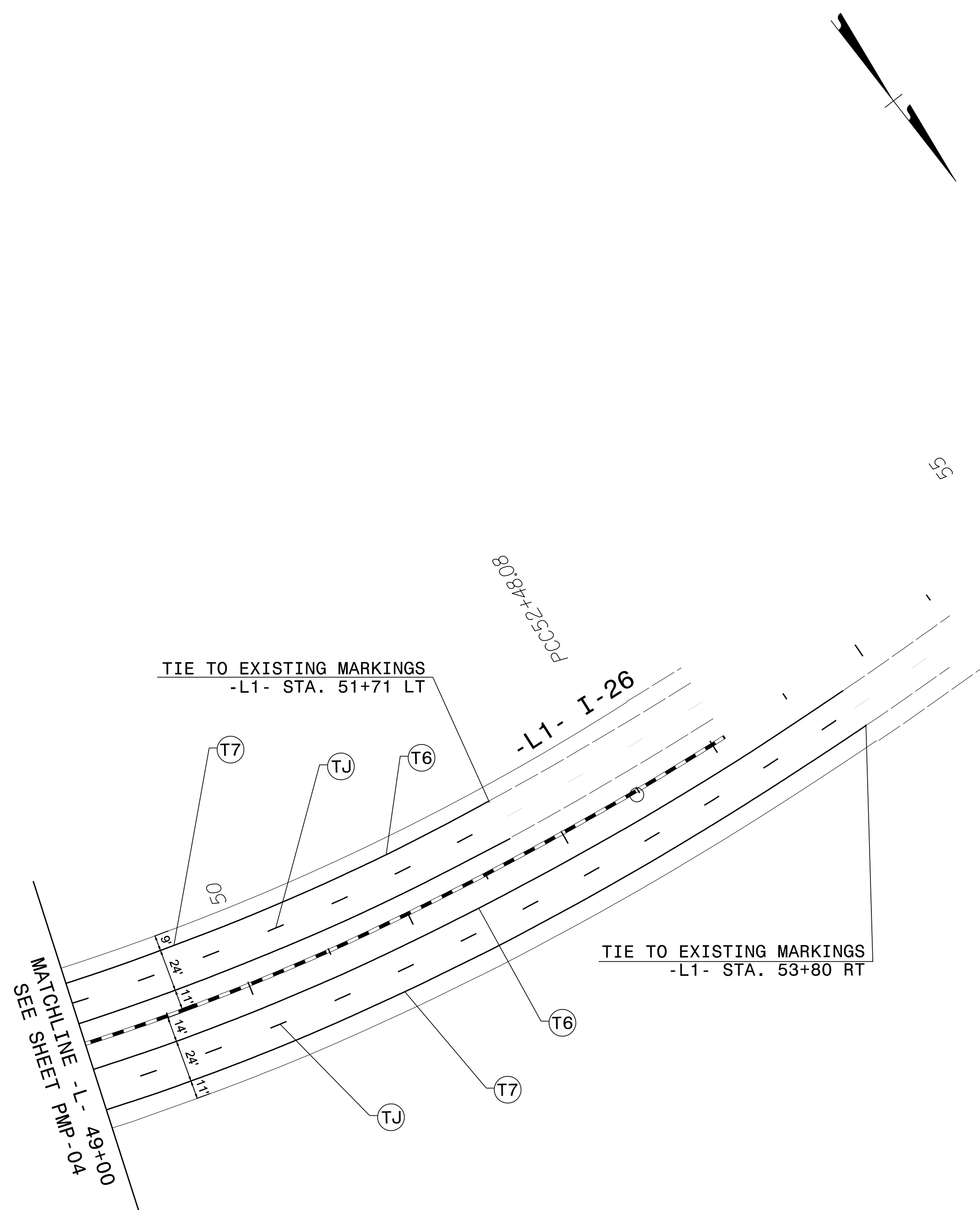
5/14/2019
R:\Trg\Sign\CA00\PMP\15bpr.20_TC_PMP04.dgn
User: jfk

APPROVED: _____

DATE: _____



**DOCUMENT NOT CONSIDERED FINAL
UNLESS ALL SIGNATURES COMPLETED**



FINAL PAVEMENT MARKING SCHEDULE

SYMBOL	DESCRIPTION
<u>THERMOPLASTIC (6", 90 MILS)</u>	
T6	WHITE EDGELINE
T7	YELLOW EDGELINE
TJ	10' WHITE SKIP
<u>POLYUREA (6")</u>	
V6	WHITE EDGELINE
V7	YELLOW EDGELINE
VJ	10' WHITE SKIP
<u>PERMANENT RAISED PAVEMENT MARKERS</u>	
MB	CRYSTAL & RED
<u>SNOWFLOWABLE RAISED PAVEMENT MARKERS</u>	
MF	CRYSTAL & RED

PAVEMENT MARKING DETAIL