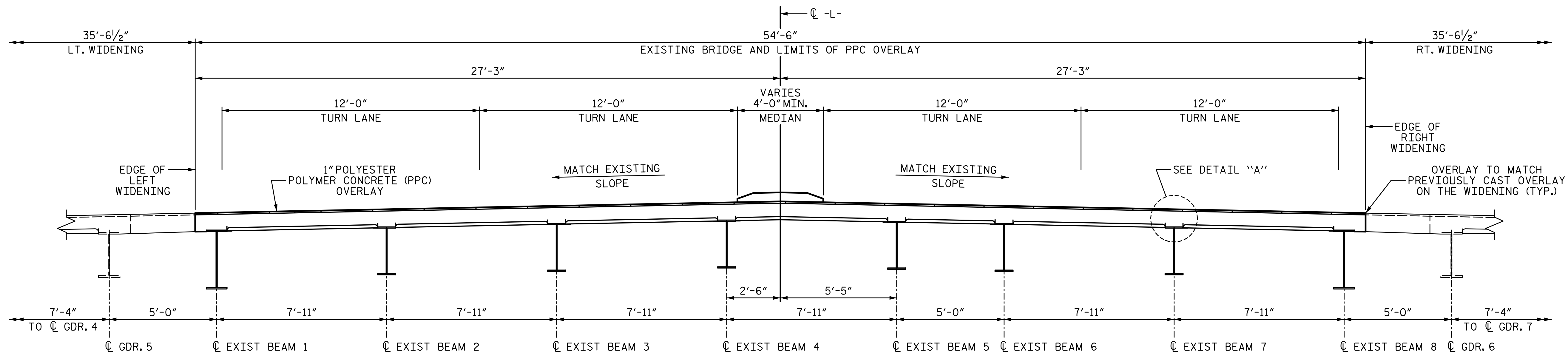


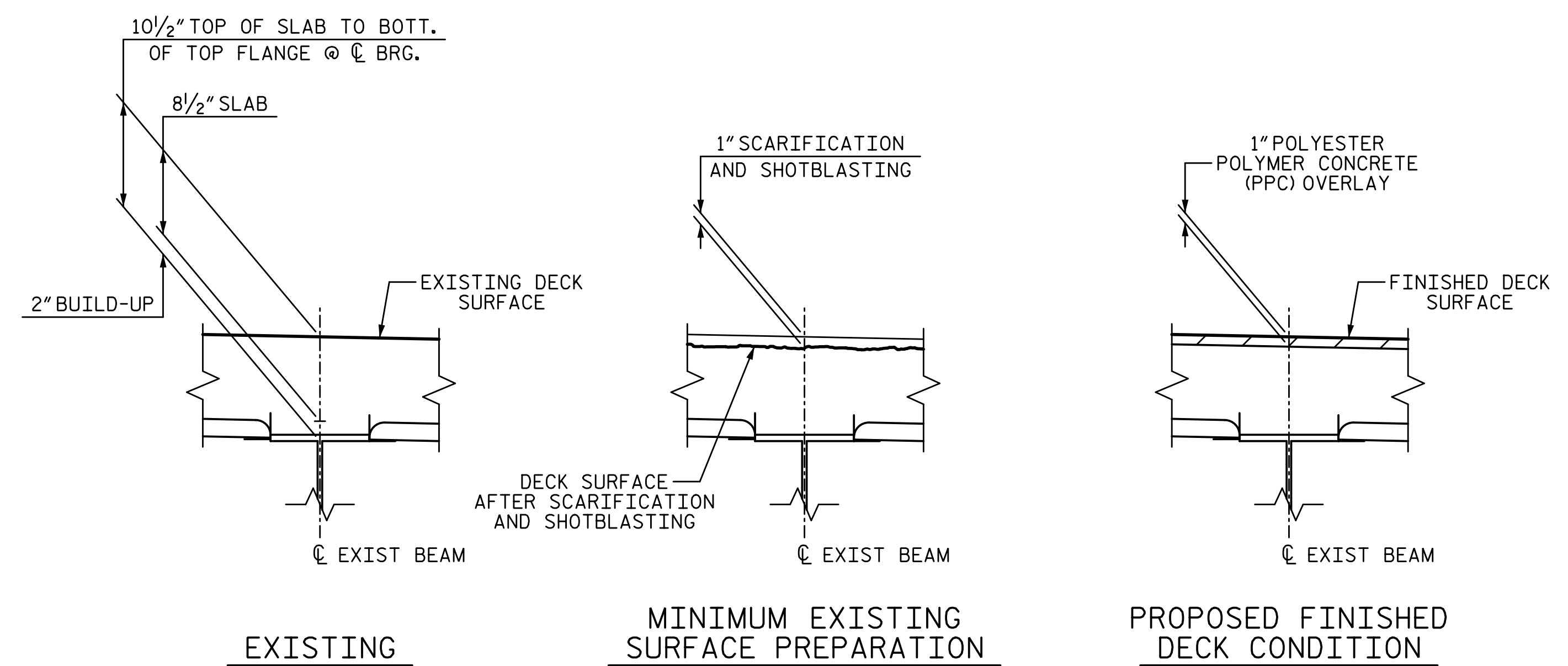
NOTES:

SEE TRAFFIC MANAGEMENT PLANS FOR LANE WIDTHS, SEQUENCING AND OTHER TRAFFIC CONTROL MEASURES FOR STAGING OF POLYESTER POLYMER CONCRETE OVERLAY AND SURFACE PREPARATION.

FOR LIMITS OF SHOTBLASTING AND CLASS II REPAIR AND EPOXY OVERLAY, SEE SURFACE PREPARATION SHEETS.



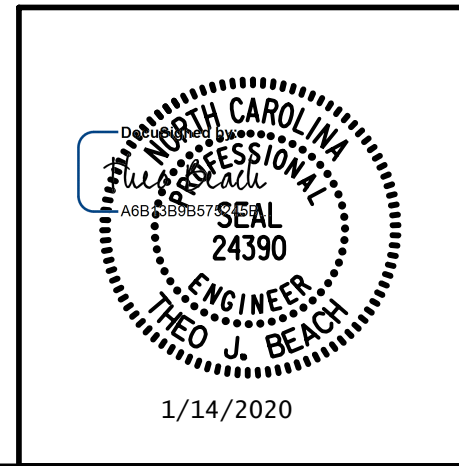
TYPICAL SECTION
LOOKING UPSTATION



PROJECT NO. I-5711
ALAMANCE COUNTY
STATION: STA. 27+02.26 -L-

STATE OF NORTH CAROLINA
DEPARTMENT OF TRANSPORTATION
RALEIGH
PRESERVATION
SURFACE PREPARATION
TYPICAL SECTION
& DETAILS

PLANS PREPARED BY:
SE & A
IMPSON ENGINEERS ASSOCIATES
5640 Dillard Drive
Suite 200
Cary, NC 27518
(919) 852-0468
(919) 852-0598 (Fax)
www.slmpsonengr.com
LICENSURE NO. C-2521



REVISIONS						SHEET NO.
NO.	BY:	DATE:	NO.	BY:	DATE:	S-77
1			3			TOTAL SHEETS
2			4			89

**DOCUMENT NOT CONSIDERED FINAL
UNLESS ALL SIGNATURES COMPLETED**

1/14/2020 10:06:35 AM G:\Projects\2017\I-5711\Structures\Preservation\Drawings\401_I5711_SMU_TSR_000177.dgn

DRAWN BY: T. BANKOVICH DATE: 1-20
CHECKED BY: T. BEACH DATE: 1-20
DESIGN ENGINEER OF RECORD: T. BEACH DATE: 1-20