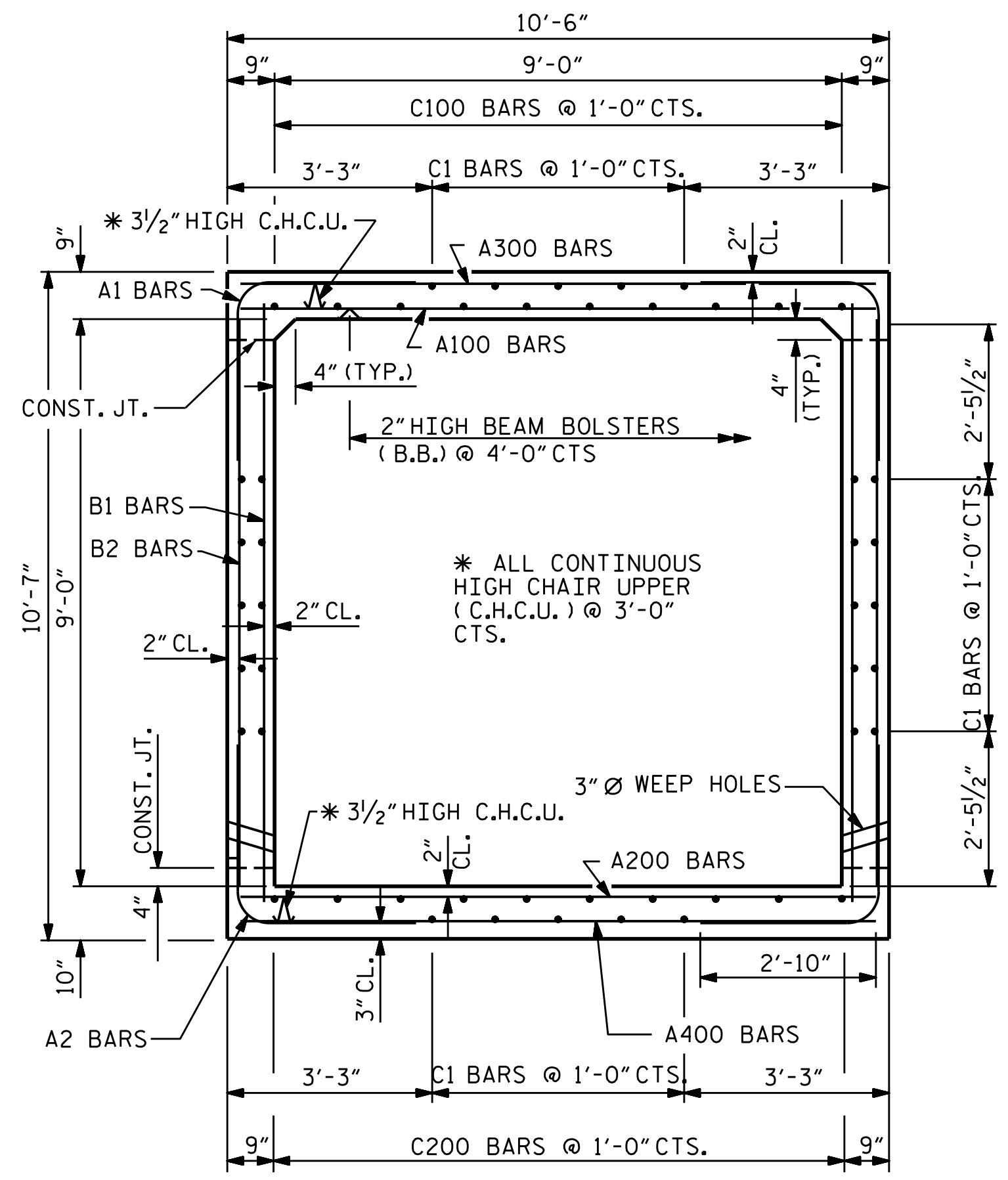


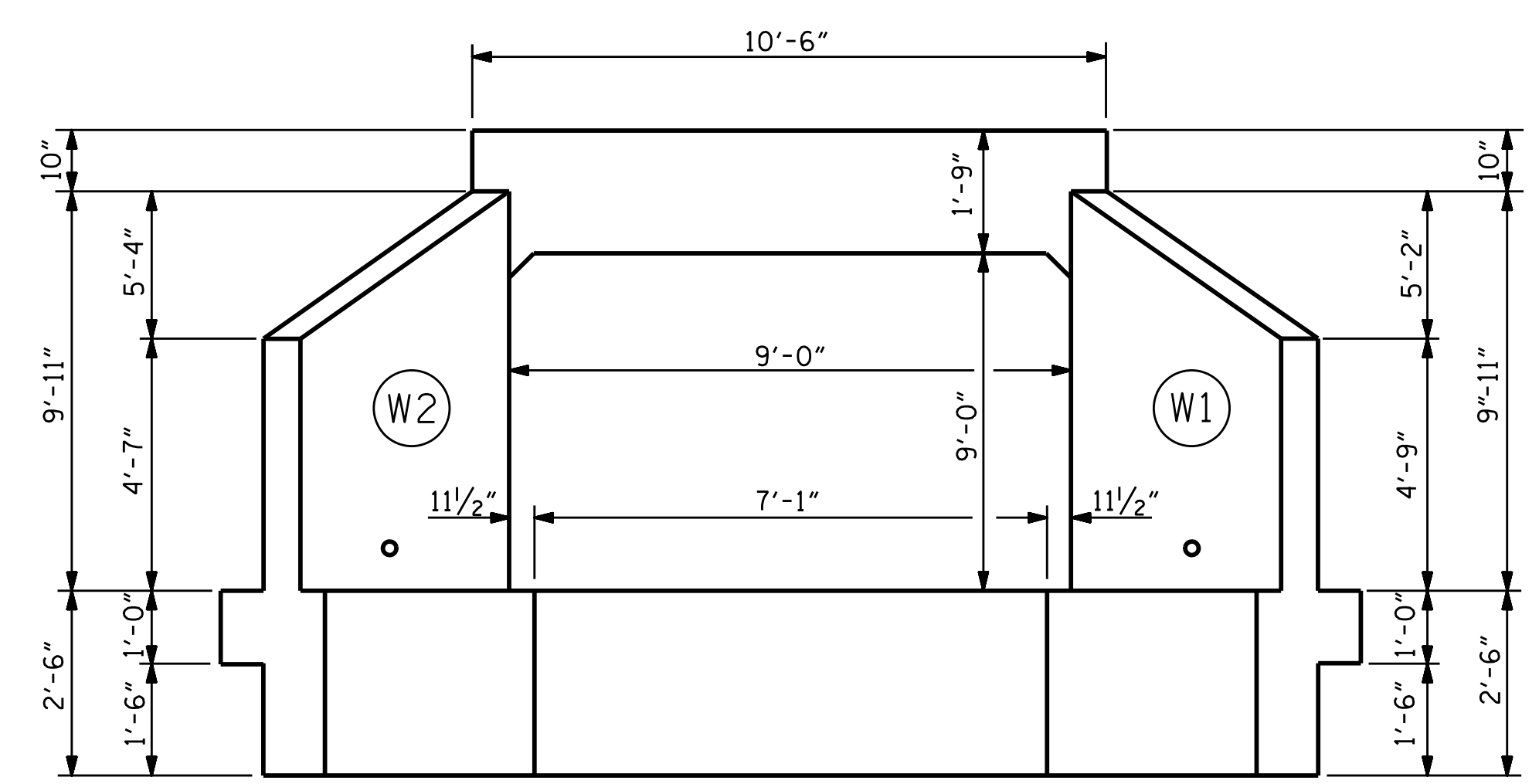
DETAIL A

** THE PIPE THROUGH THE WALL OF THE CULVERT WILL BE LOCATED BY THE ENGINEER. THE REINFORCING STEEL WILL BE CUT & FIELD BENT AS NECESSARY TO CLEAR THE PIPE.

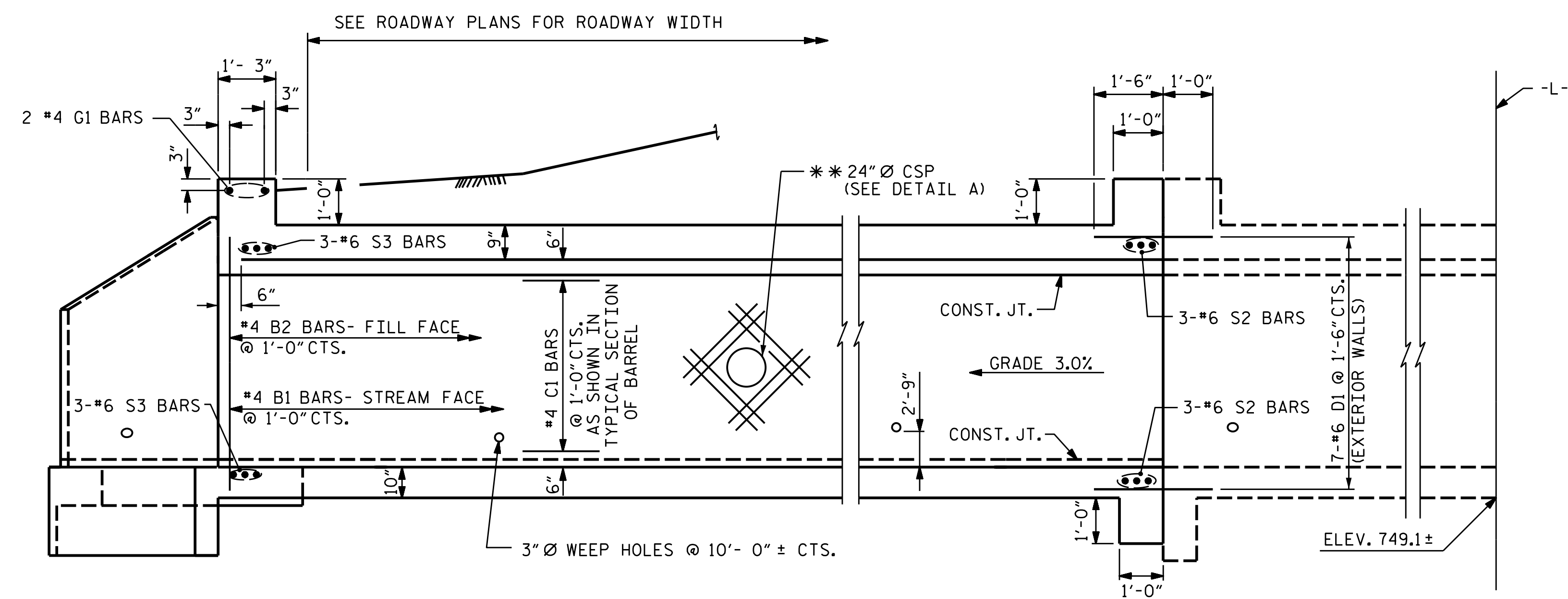


RIGHT ANGLE SECTION OF BARREL

THERE ARE 50 "C" BARS IN SECTION OF BARREL

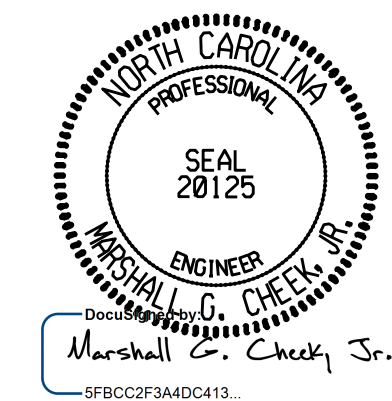


OUTLET END ELEVATION



LEFT CULVERT SECTION NORMAL TO ROADWAY

PROJECT NO. B-5825
YADKIN/FORSYTH COUNTY
 STATION: 46+80.60 -L-
 SHEET 3 OF 7



4/14/2020

DOCUMENT NOT CONSIDERED FINAL UNLESS ALL SIGNATURES COMPLETED
TGS ENGINEERS
 706 HILLSBOROUGH STREET
 SUITE 200
 RALEIGH, NC 27603
 PH (919) 773-8887
 CORP. LICENSE NO.: C-0275

STATE OF NORTH CAROLINA DEPARTMENT OF TRANSPORTATION RALEIGH					
SINGLE 9 FT. X 9 FT. CONCRETE BOX CULVERT EXTENSION					
REVISIONS					
NO.	BY:	DATE:	NO.	BY:	DATE:
1			3		
2			4		
SHEET NO.					C1-3
TOTAL SHEETS					13

DRAWN BY :	ZCS	DATE :	10/19
CHECKED BY :	MGC	DATE :	12/19
DESIGN ENGINEER OF RECORD:	ZCS	DATE :	12/19