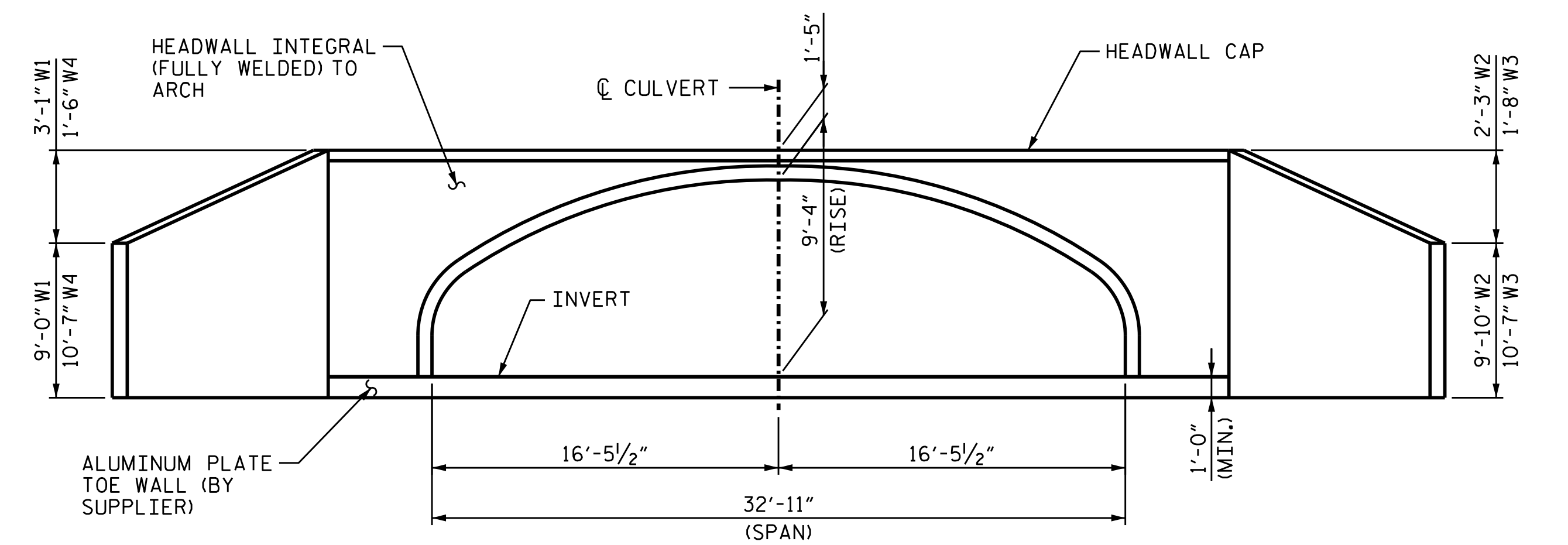
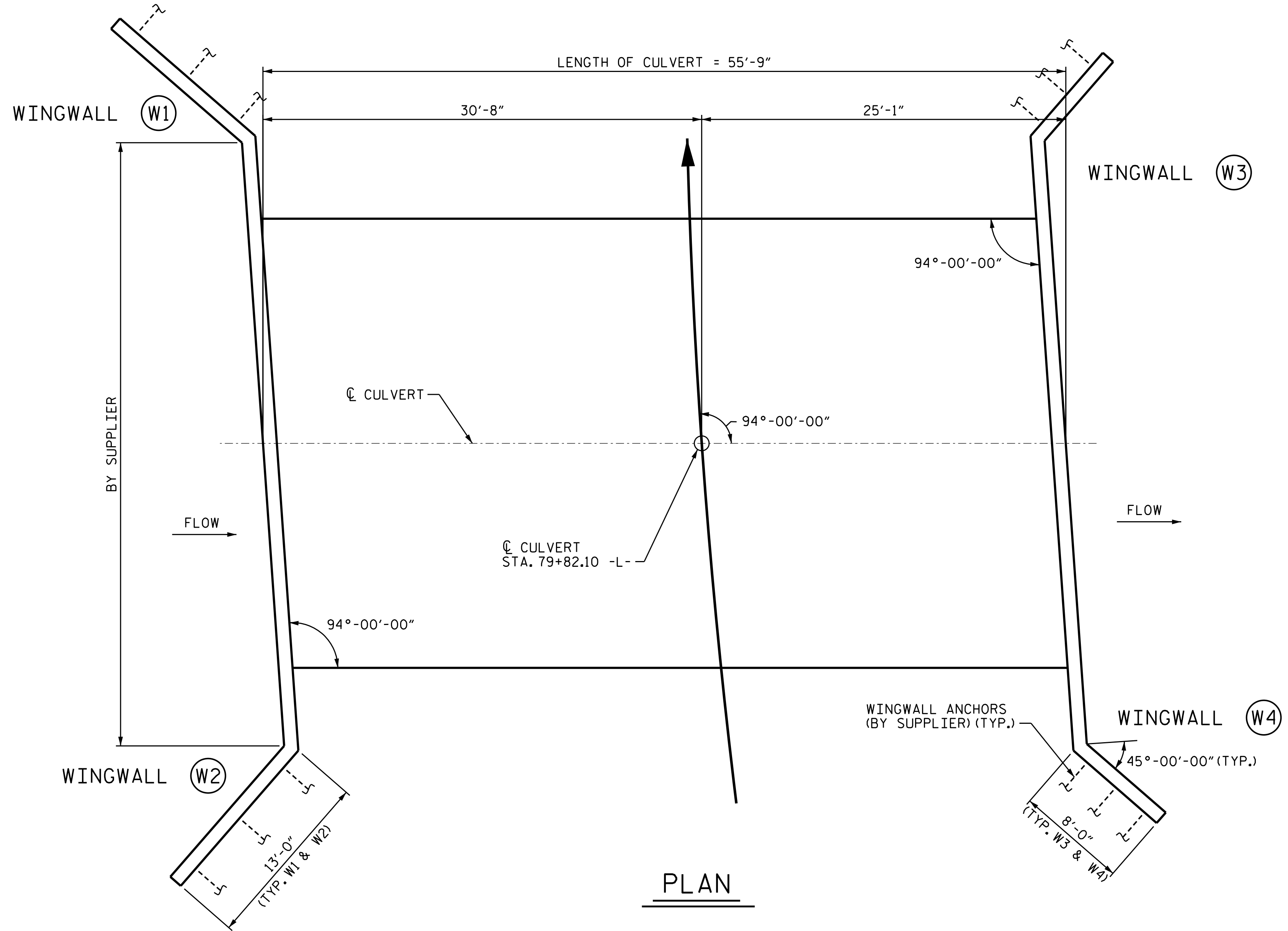


LENGTH FOR ALUMINUM BOX CULVERT



END ELEVATION
INLET SHOWN, OUTLET SIMILAR



PLAN

I HEREBY CERTIFY THESE PLANS ARE THE AS-BUILT PLANS

PROJECT NO. R-5740
PERQUIMANS COUNTY
 STATION: 79+82.10 -L-

SHEET 2 OF 3

STATE OF NORTH CAROLINA
 DEPARTMENT OF TRANSPORTATION
 RALEIGH

SINGLE
 32'-11" x 9'-4"
 ALUMINUM BOX CULVERT
 94° SKEW

PREPARED IN THE OFFICE OF:
ATKINS
 1616 EAST MILLBROOK ROAD, SUITE 160
 RALEIGH, NORTH CAROLINA 27609
 (919) 876-6888 NCBEES #F-0326

DRAWN BY : CAB DATE : 11/19
 CHECKED BY : CYL DATE : 11/19
 DESIGN ENGINEER OF RECORD : DRB DATE : 11/19

REVISIONS						SHEET NO.
NO.	BY:	DATE:	NO.	BY:	DATE:	C-3
1			3			TOTAL SHEETS
2			4			7