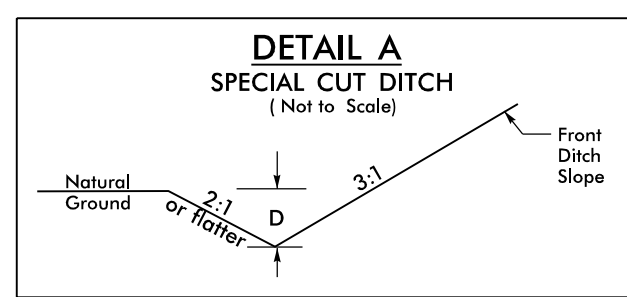
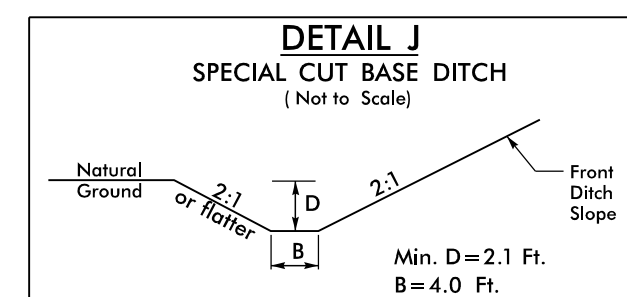


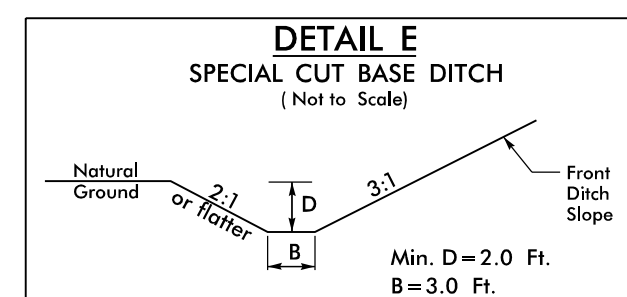
FROM -L- STA. 82+70 TO -L- STA. 97+45 LT



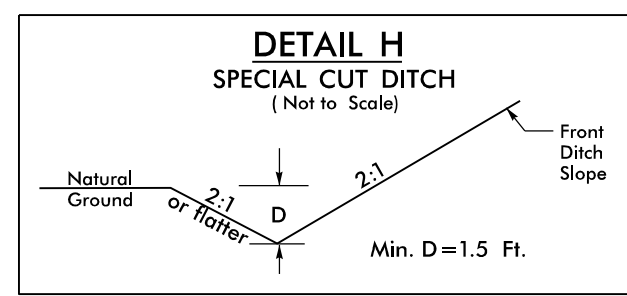
FROM -L- STA. 79+20 TO -L- STA. 79+50 RT Min. D=1.0 Ft.



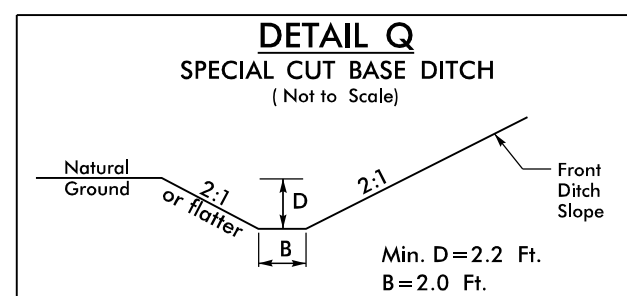
FROM -L- STA. 86+80 TO -L- STA. 104+30 RT



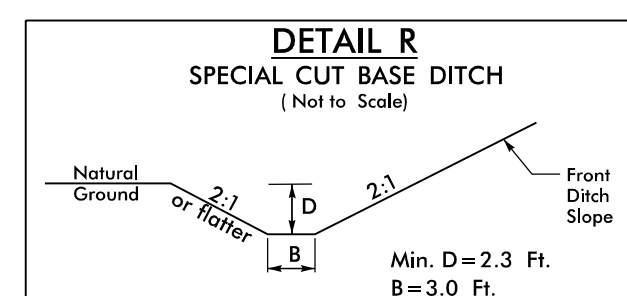
FROM -L- STA. 80+00 TO -L- STA. 80+45 RT



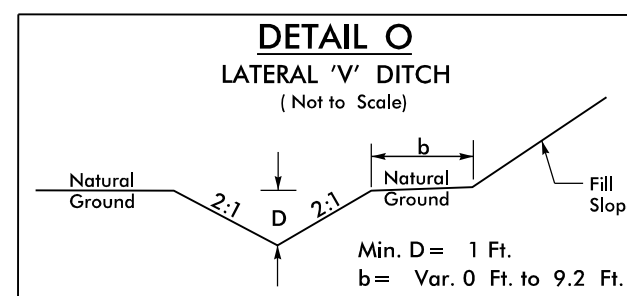
FROM -L- STA. 74+20 TO -L- STA. 79+00 LT  
FROM -L- STA. 74+20 TO -L- STA. 79+20 RT



FROM -L- STA. 80+75 TO -L- STA. 81+45 LT



FROM -L- STA. 80+45 TO -L- STA. 86+20 RT



FROM -L- STA. 79+00 TO -L- STA. 79+66 LT

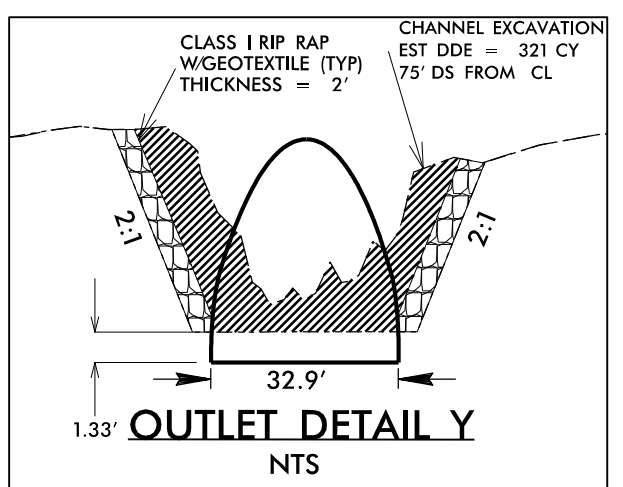
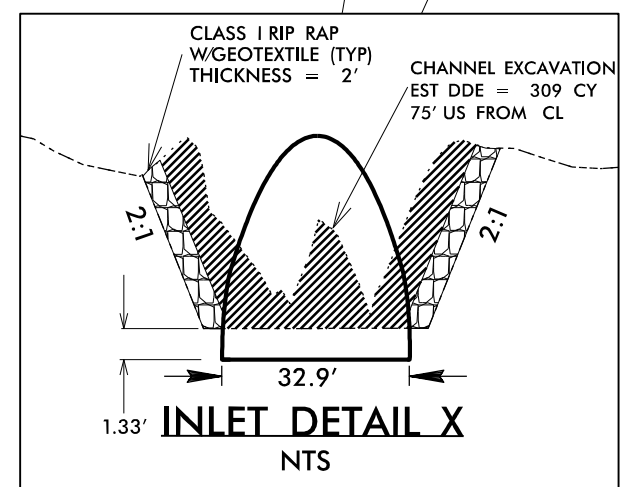
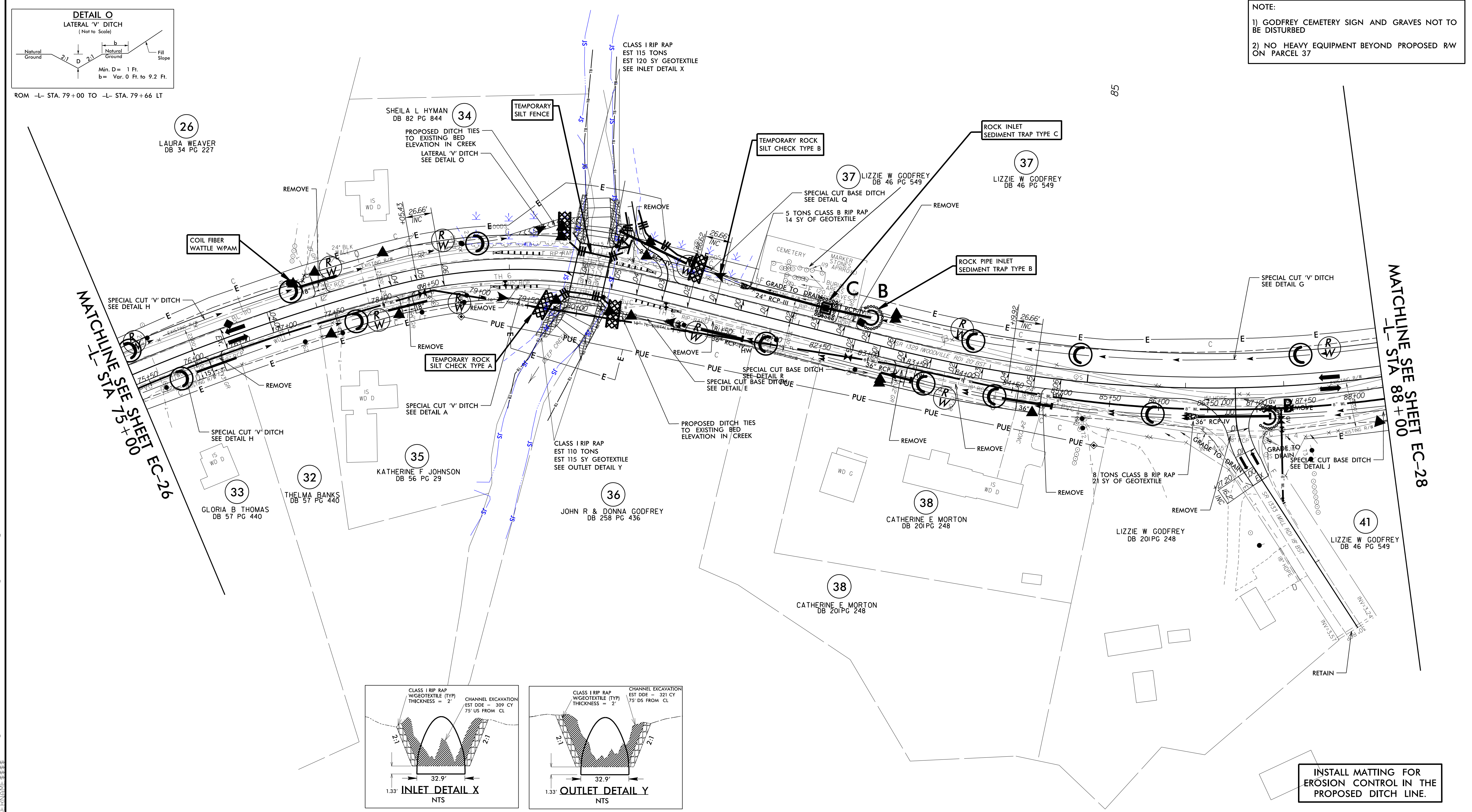
NOTE:  
1) GODFREY CEMETERY SIGN AND GRAVES NOT TO BE DISTURBED  
2) NO HEAVY EQUIPMENT BEYOND PROPOSED RW ON PARCEL 37

30 JAN 2020 15:23  
 C:\Users\jps\OneDrive\Documents\Hydr-eulics\CADD\PSH\E&S\5740\Hydr-eulics\CADD\PSH\E&S\5740\Hydr-eulics\PSH\_27.dgn  
 \$\$\$\$ SUBSTANTIAL \$\$\$\$

5/14/99

80

85



INSTALL MATTING FOR EROSION CONTROL IN THE PROPOSED DITCH LINE.

MATCHLINE SEE SHEET EC-26  
-L- STA. 75+00

MATCHLINE SEE SHEET EC-28  
-L- STA. 88+00

26 LAURA WEAVER DB 34 PG 227

34 SHEILA L HYMAN DB 82 PG 844  
PROPOSED DITCH TIES TO EXISTING BED ELEVATION IN CREEK  
LATERAL 'V' DITCH SEE DETAIL O

37 LIZZIE W GODFREY DB 46 PG 549

37 LIZZIE W GODFREY DB 46 PG 549

33 GLORIA B THOMAS DB 57 PG 440

32 THELMA BANKS DB 57 PG 440

35 KATHERINE F JOHNSON DB 56 PG 29

36 JOHN R & DONNA GODFREY DB 258 PG 436

38 CATHERINE E MORTON DB 201 PG 248

38 CATHERINE E MORTON DB 201 PG 248

41 LIZZIE W GODFREY DB 46 PG 549