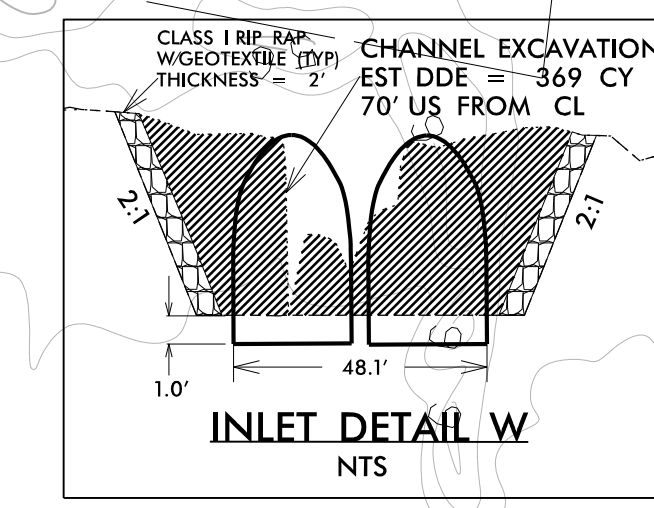
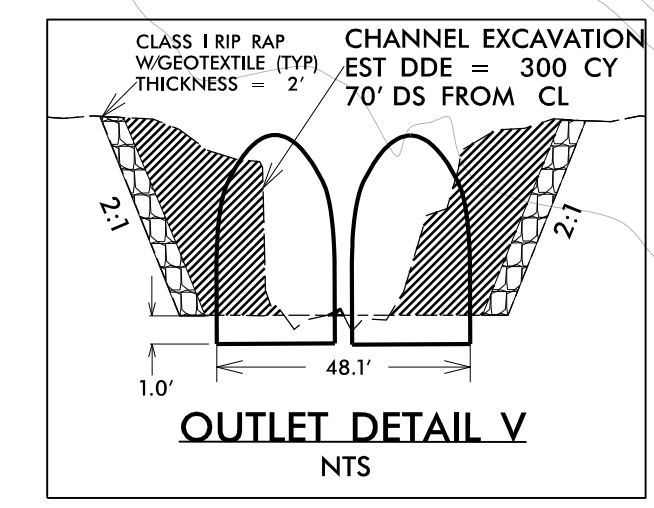
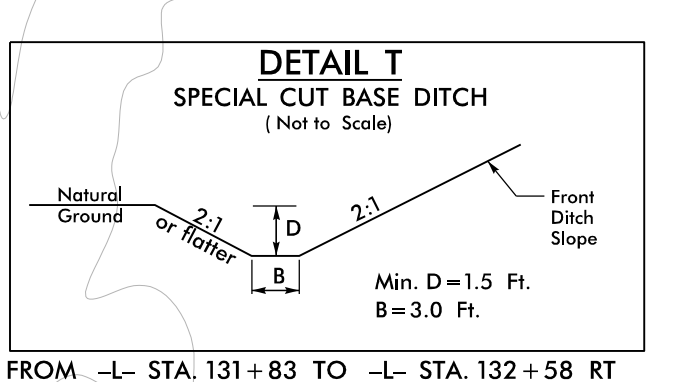
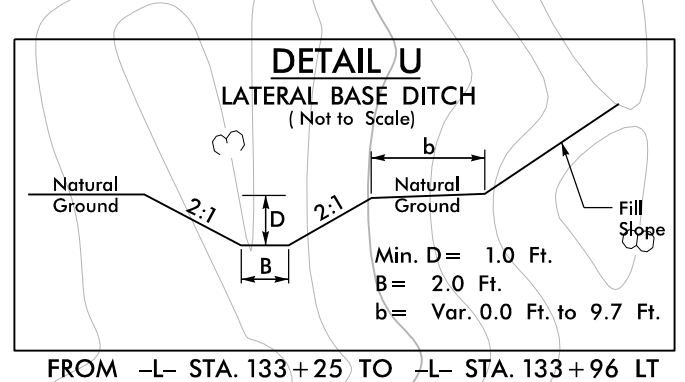
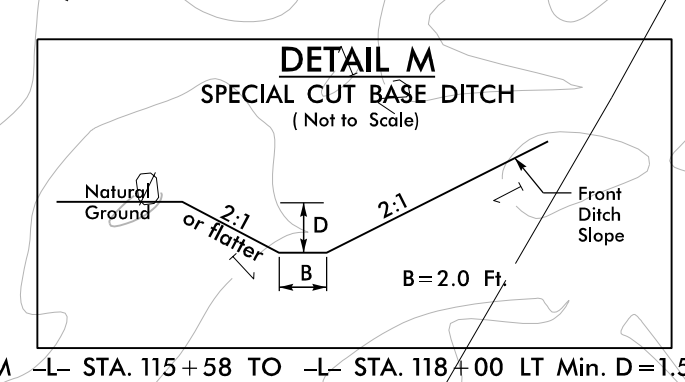
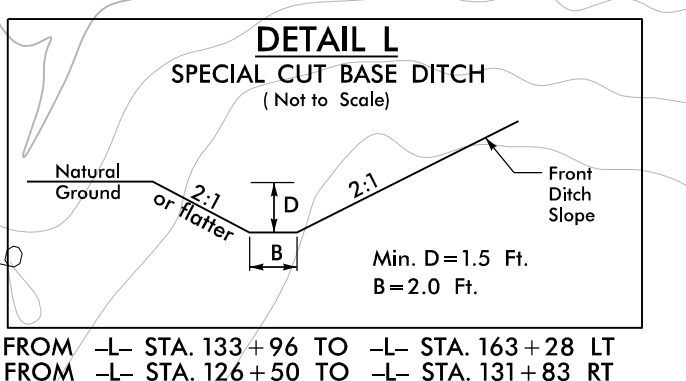
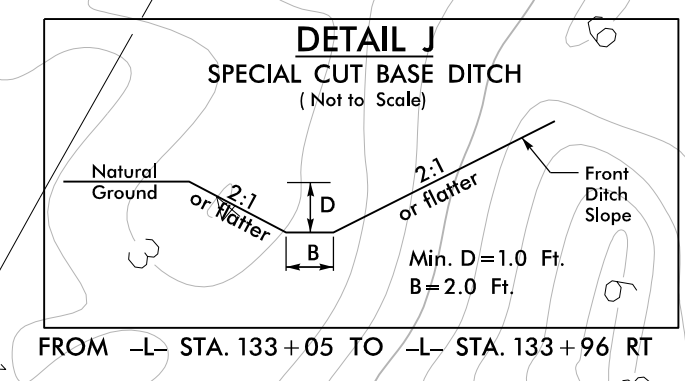
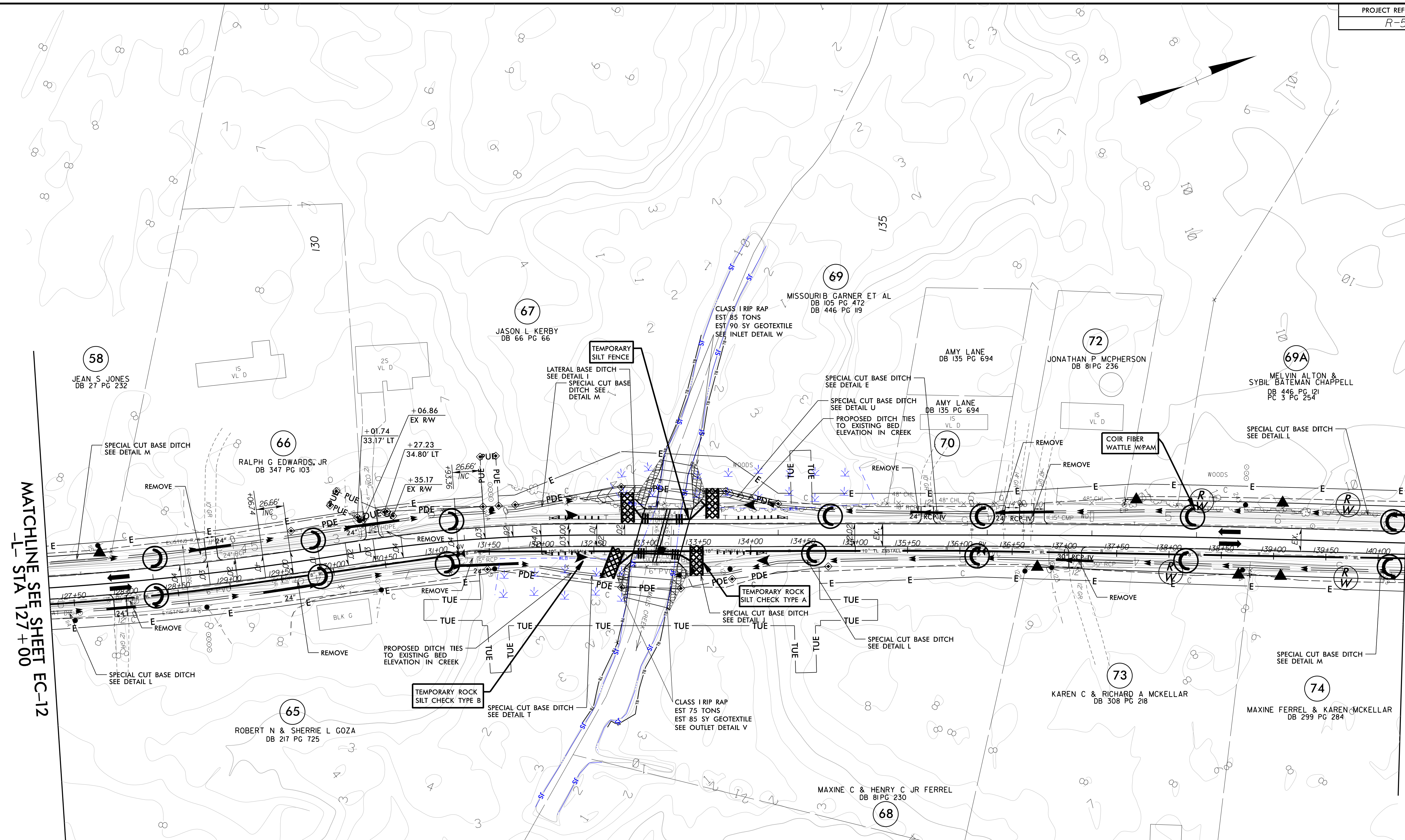


5/14/99
05_APR-2020_16:34
N:\CADD\PSHA\EC&SC\R5740_rdy_PSH_13.dgn

MATCHLINE SEE SHEET EC-12
-L- STA 127+00

MATCHLINE SEE SHEET EC-14
-L- STA 140+00



NOTE: PLACE TEMPORARY ROCK SEDIMENT DAMS TYPE - B AND TEMPORARY ROCK SILT CHECKS TYPE - A AT DRAINAGE OUTLETS.

CLEARING AND GRUBBING
EROSION CONTROL FOR
CONSTRUCTION SHEET 13