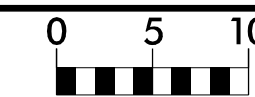


6/23/16

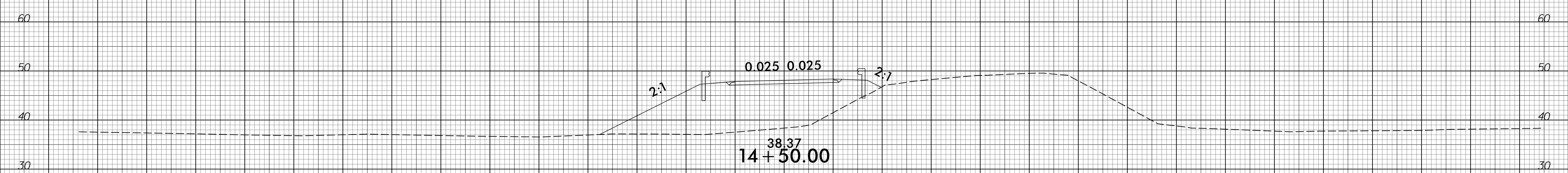
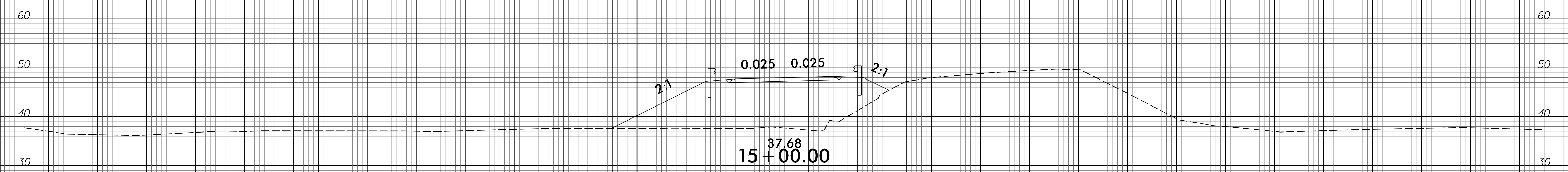
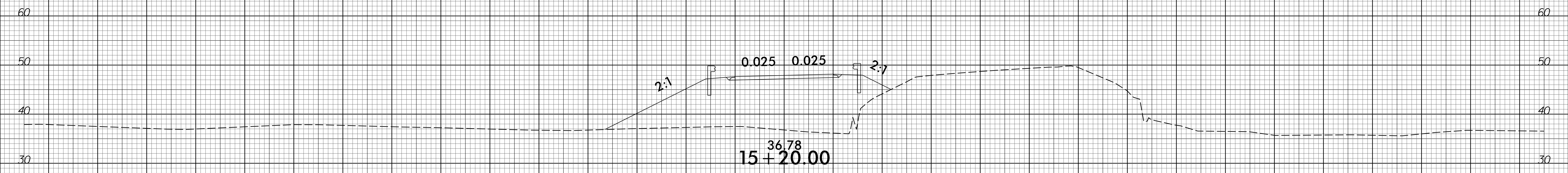


PROJ. REFERENCE NO.  
B-5662

SHEET NO.  
X-12

150 140 130 120 110 100 90 80 70 60 50 40 30 20 10 0 10 20 30 40 50 60 70 80 90 100 110 120 130 140 150

BEGIN BRIDGE -DET- 15+20.00



-DET-

I:\3-APR-2020\_1246  
 6/23/16 10:50:14 521 B-5662\Roadway\CorridorModeling\B-5662\_Rdy\_det\_xpl.dgn