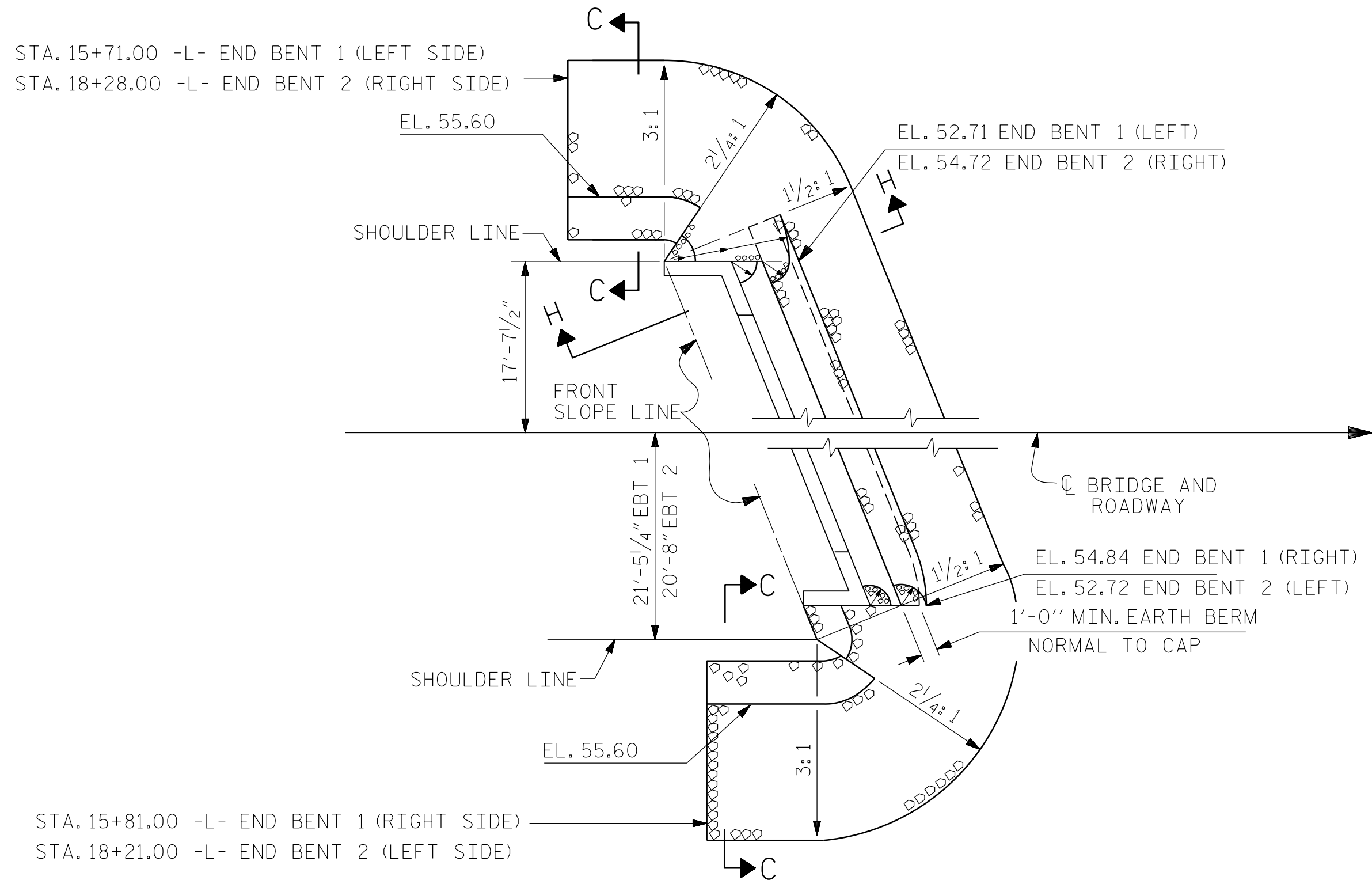
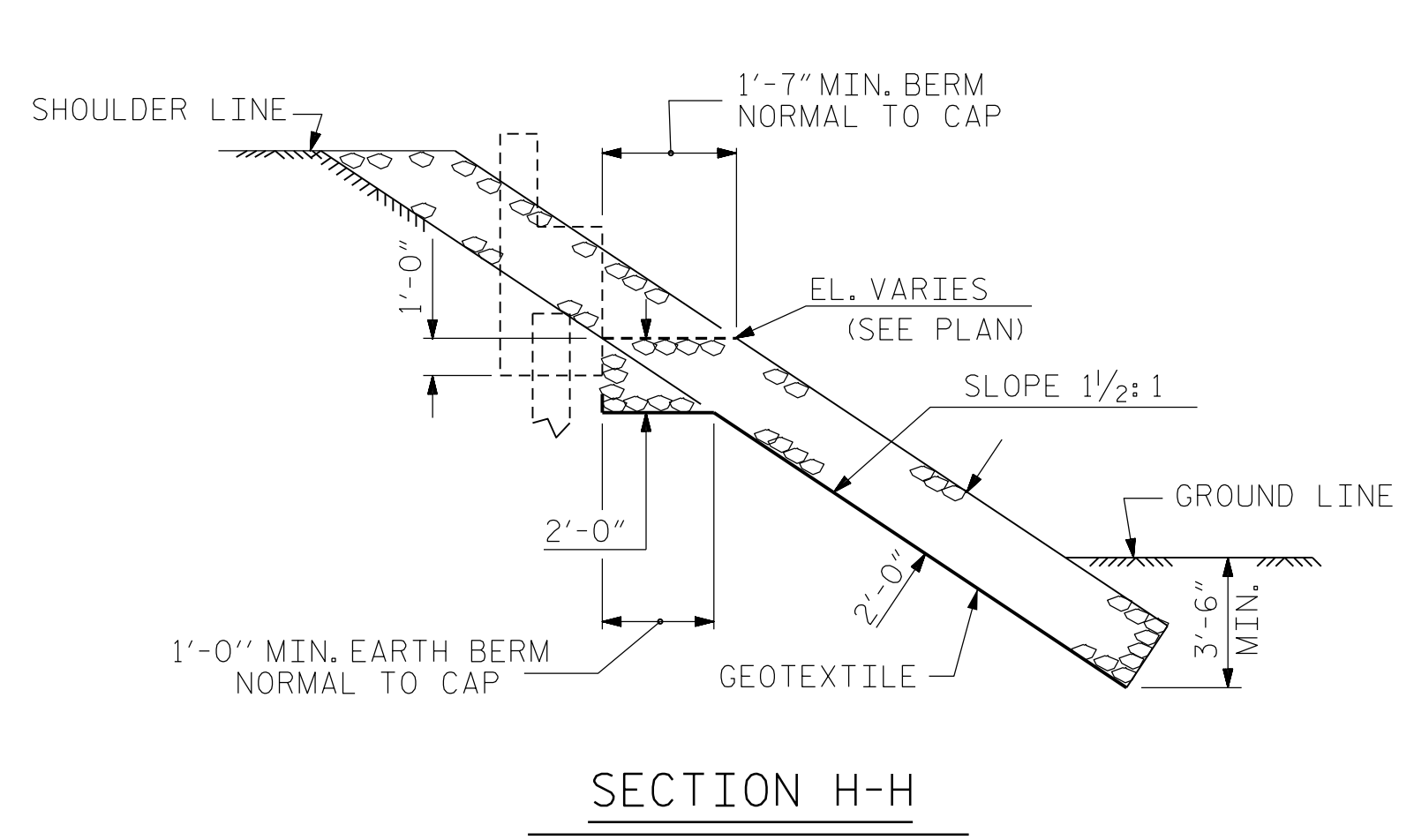


NOTES :
FOR BERM WIDTH DIMENSIONS, SEE GENERAL DRAWING.

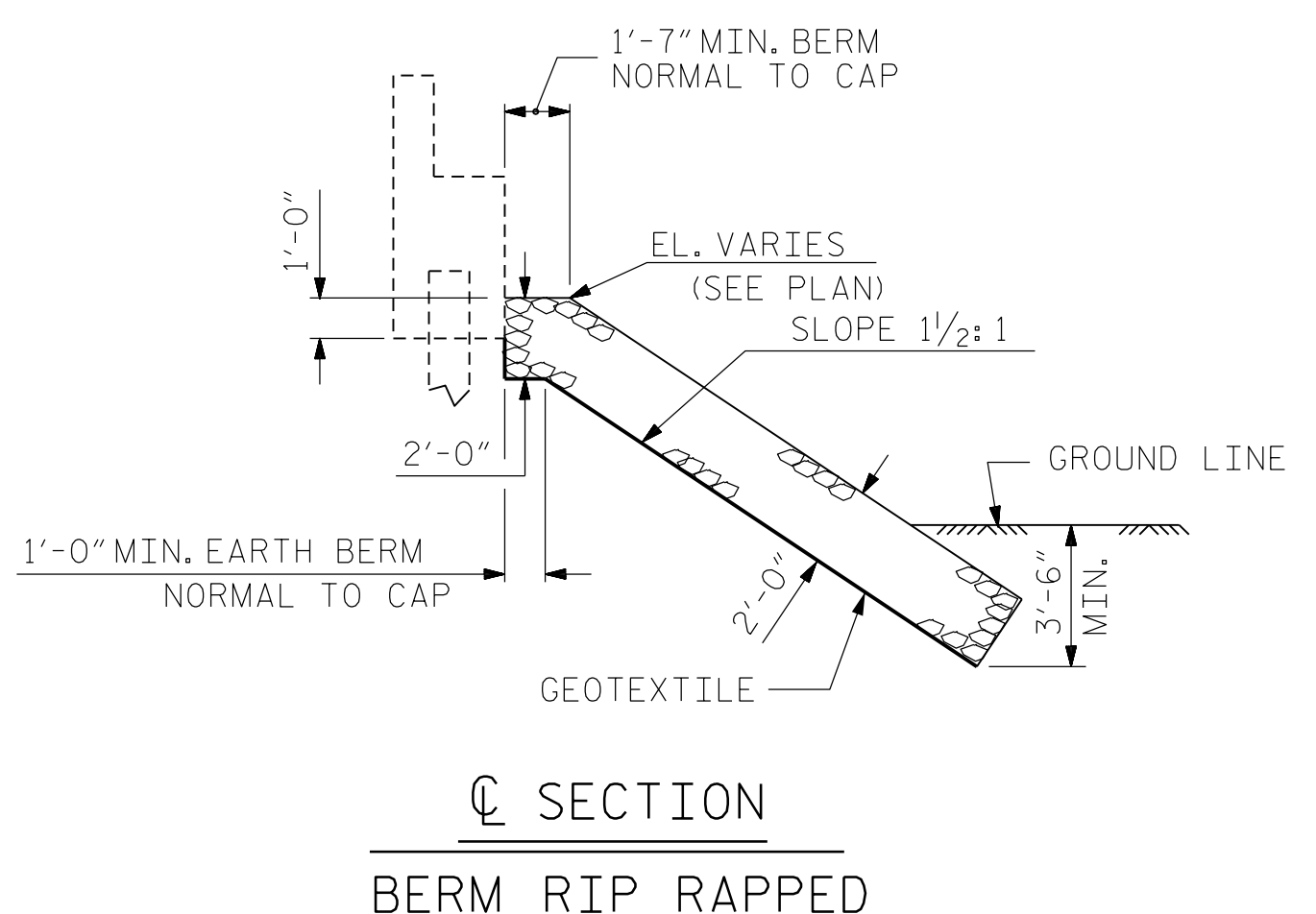


SHOULDER RIP RAP IS HIGHER THAN BERM RIP RAP

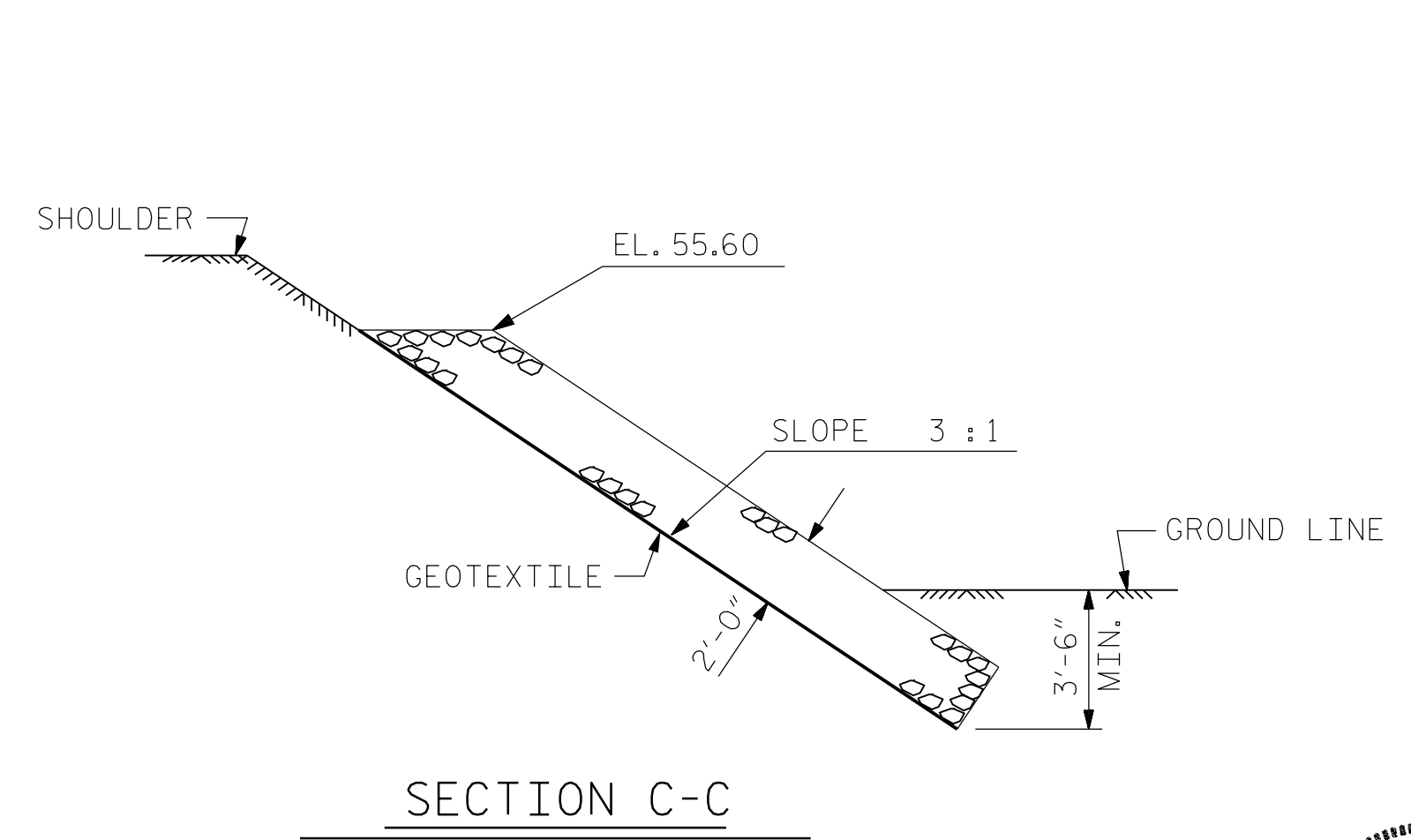
ESTIMATED QUANTITIES		
BRIDGE @ STA. 17+00.00	RIP RAP CLASS II (2'-0" THICK)	GEOTEXTILE FOR DRAINAGE
	TONS	SQUARE YARDS
END BENT 1	555	620
END BENT 2	545	610



SECTION H-H

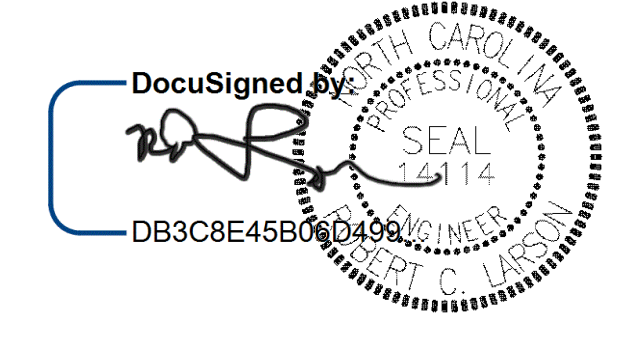


SECTION C-C
BERM RIP RAPPED



SECTION C-C

PROJECT NO. B-5671
EDGEcombe COUNTY
STATION: 17+00.00 -L-



2/26/2020

STATE OF NORTH CAROLINA
DEPARTMENT OF TRANSPORTATION
RALEIGH
STANDARD
RIP RAP DETAILS

KCI JOB NO: 251801945.24

DESIGN ENGINEER OF RECORD	DATE : 2/26/2020
ASSEMBLED BY : A. SAMBO	DATE : 6/25/19
CHECKED BY : R. C. LARSON	DATE : 11/11/19
DRAWN BY : REK 1/84	REV. 10/1/11 MAA/GM
CHECKED BY : RDU 1/84	REV. 12/21/11 MAA/GM
	REV. 12/17 MAA/THC

**DOCUMENT NOT CONSIDERED FINAL
UNLESS ALL SIGNATURES COMPLETED**

ENGINEERS • PLANNERS • SCIENTISTS • CONSTRUCTION MANAGERS LICENSE NUMBER: C-0744
KCI Associates
of North Carolina, P.A.
4505 Falls of Neuse Road, Suite 400, Raleigh, NC 27609-6270 Phone: (919) 783-9201

REVISIONS						SHEET NO.
NO.	BY:	DATE:	NO.	BY:	DATE:	TOTAL SHEETS
1			3			29
2			4			

STD. NO. RR1