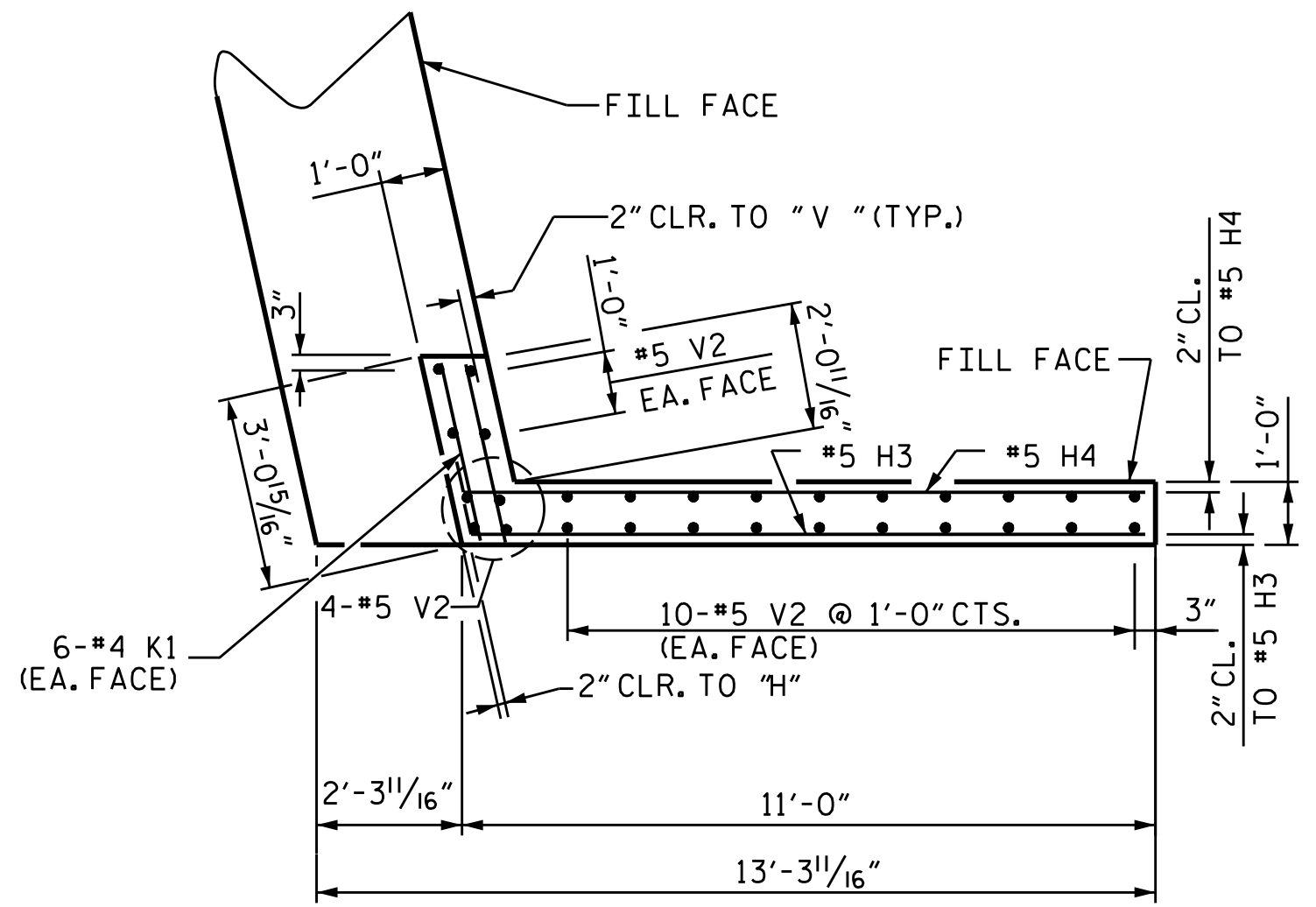
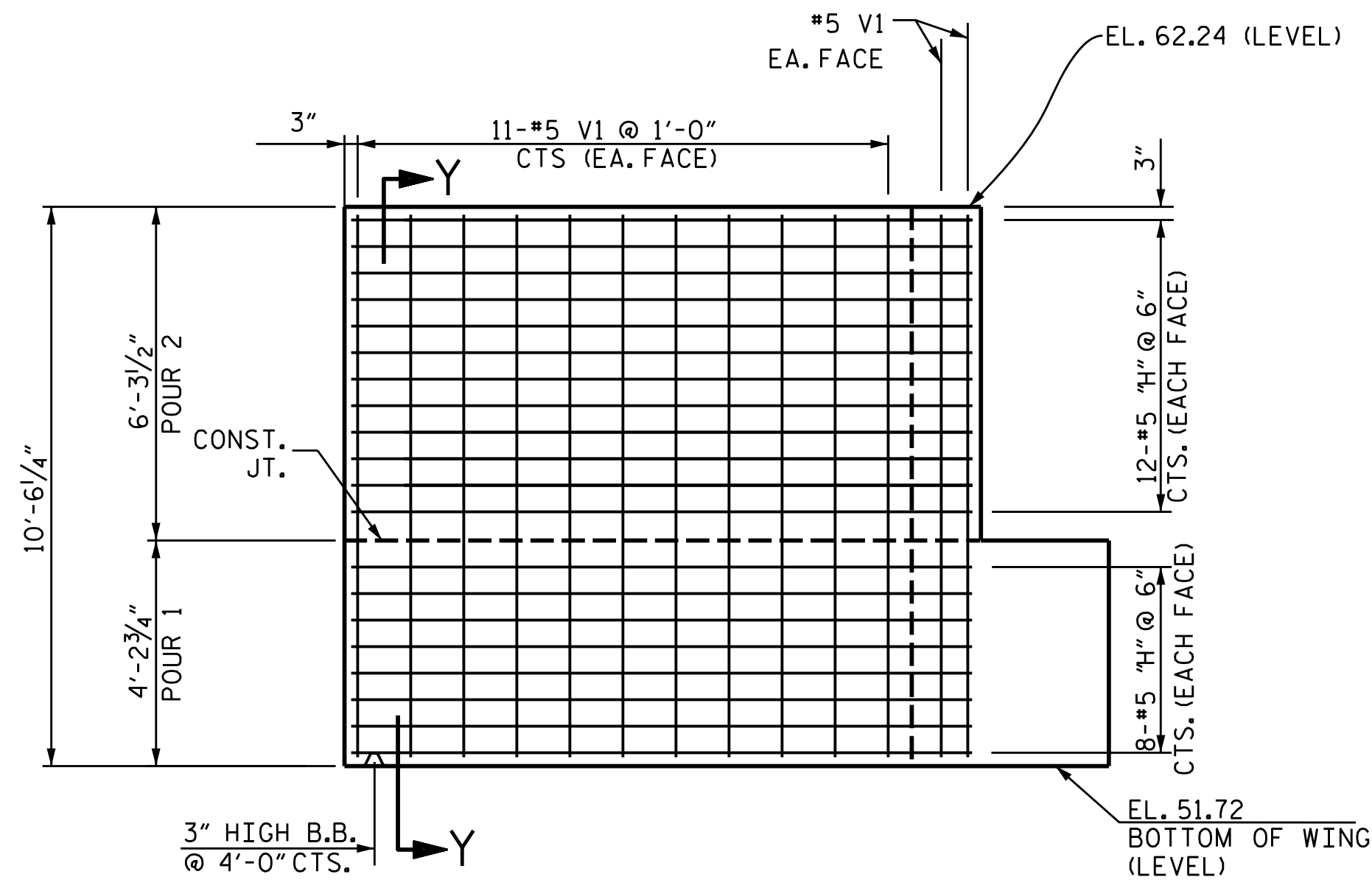


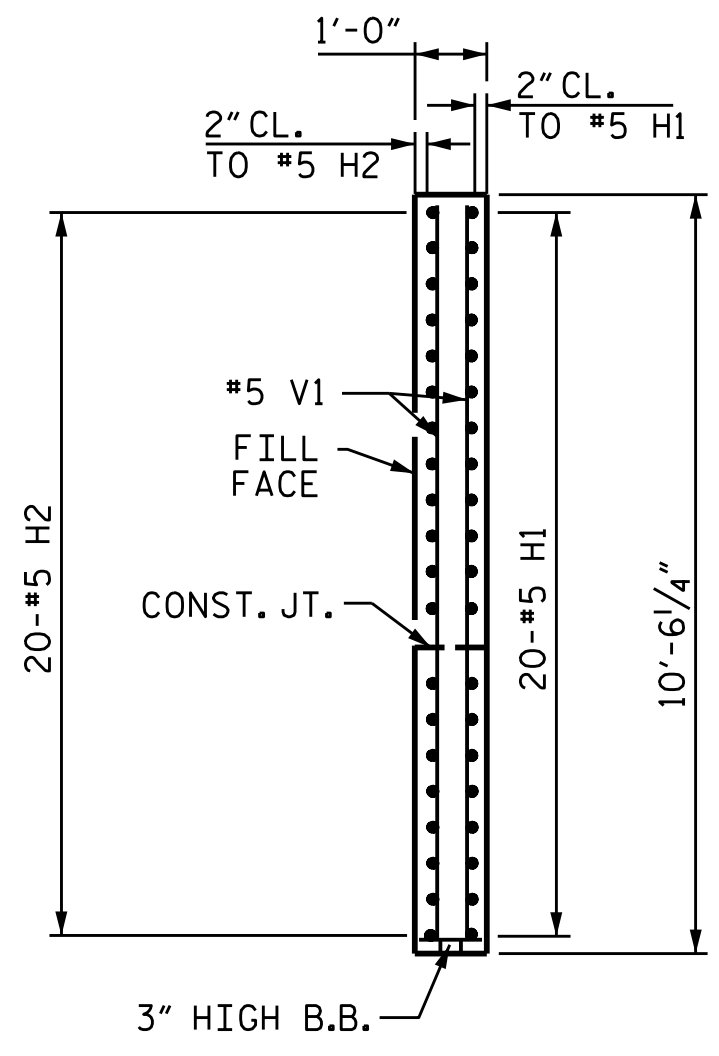
PLAN W1



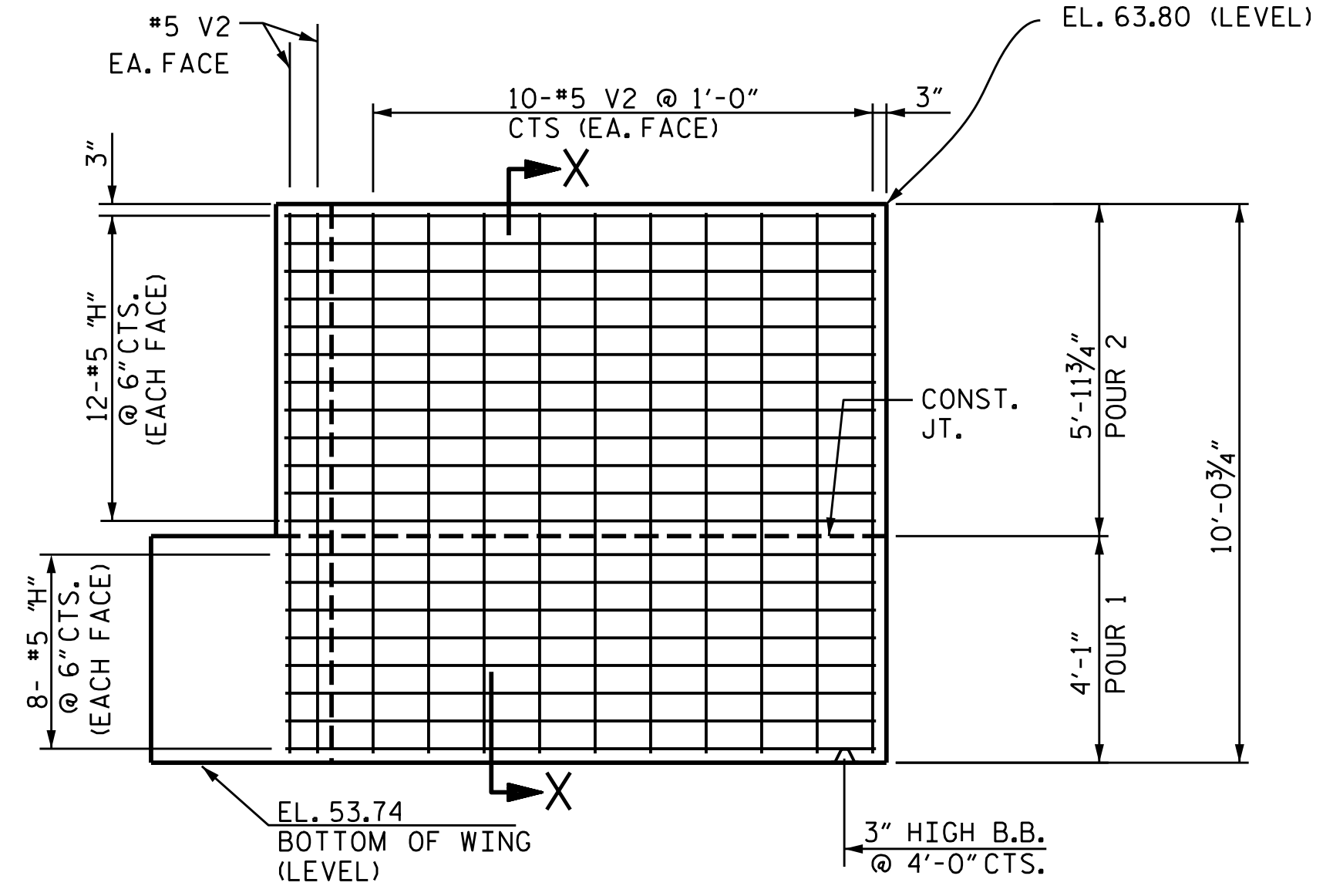
PLAN W2



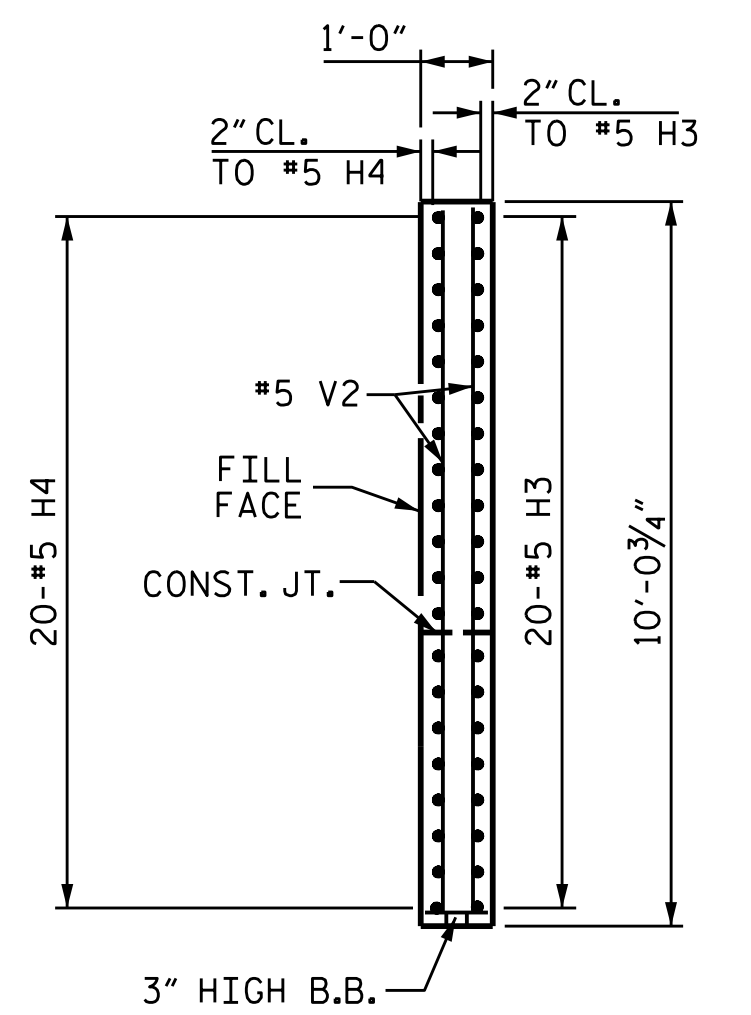
ELEVATION W1



SECTION Y-Y



ELEVATION W2



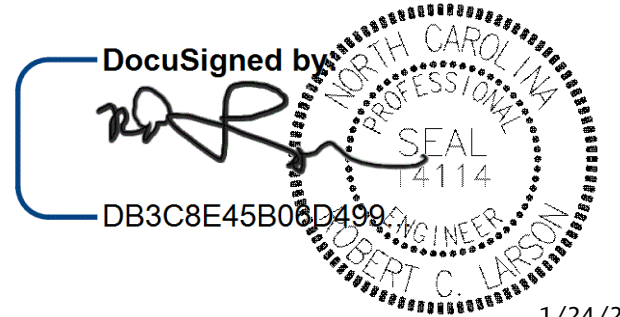
SECTION X-X

PROJECT NO. B-5671  
EDGEcombe COUNTY  
 STATION: 17+00.00 -L-

SHEET 2 OF 3

STATE OF NORTH CAROLINA  
 DEPARTMENT OF TRANSPORTATION  
 RALEIGH

**SUBSTRUCTURE  
 END BENT 2**



DESIGN ENGINEER OF RECORD:	DATE:
<i>(Signature)</i>	1/24/2020
DRAWN BY: A. K. ALLANKI	DATE: 09/09/19
CHECKED BY: R. C. LARSON	DATE: 10/30/19

**DOCUMENT NOT CONSIDERED FINAL  
 UNLESS ALL SIGNATURES COMPLETED**

ENGINEERS, PLANNERS & SCIENTISTS IN CONSTRUCTION MANAGERS LICENSE NUMBER: C-0784  
**KCI Associates**  
 of North Carolina, P.A.  
 4505 Falls of Neuse Road, Suite 400 Raleigh, NC 27609-6270 Phone: 919-785-5241

REVISIONS				SHEET NO.	
NO.	BY:	DATE:	NO.	BY:	DATE:
1			3		
2			4		

TOTAL SHEETS: 29

KCI PROJ. #251801945.24