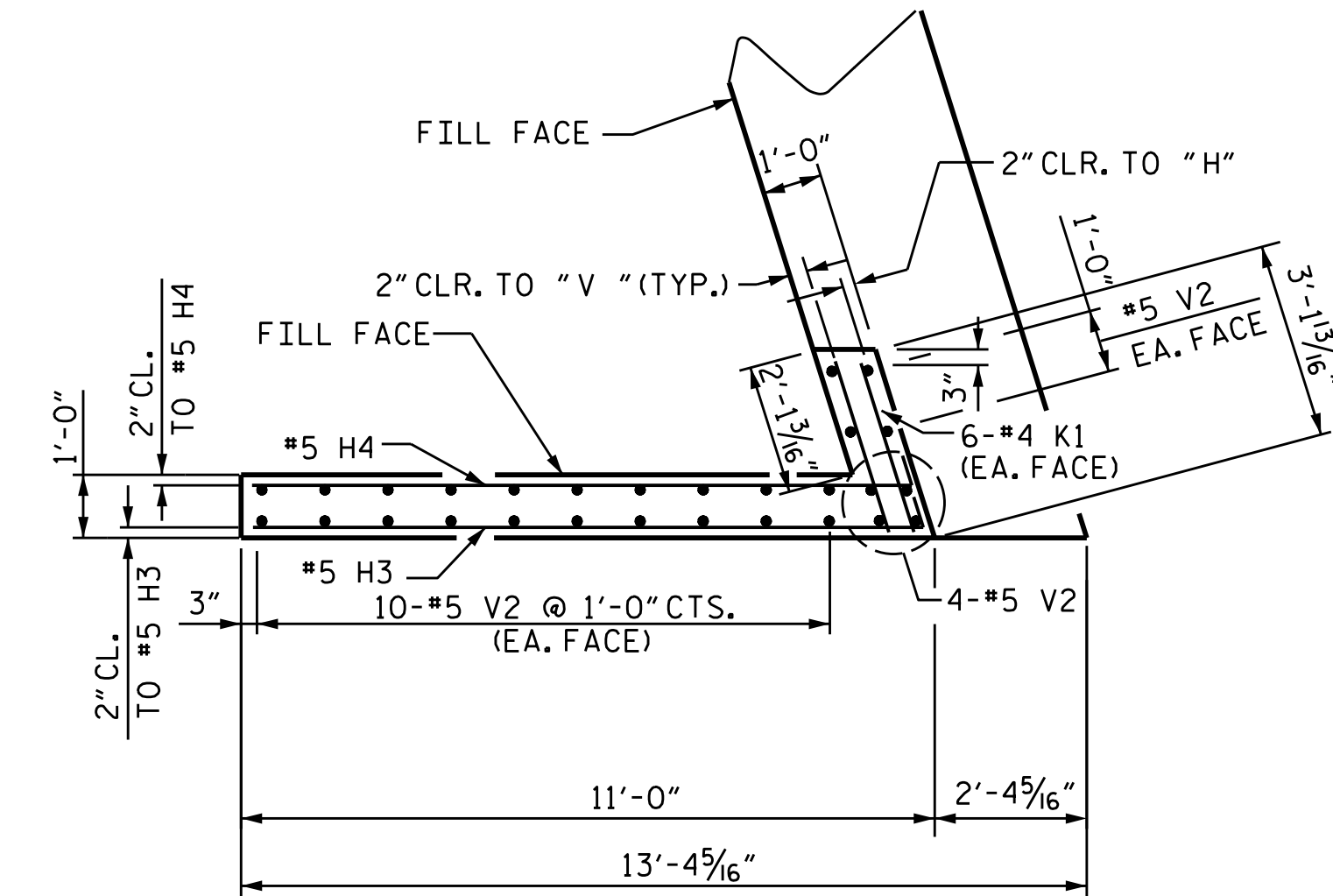
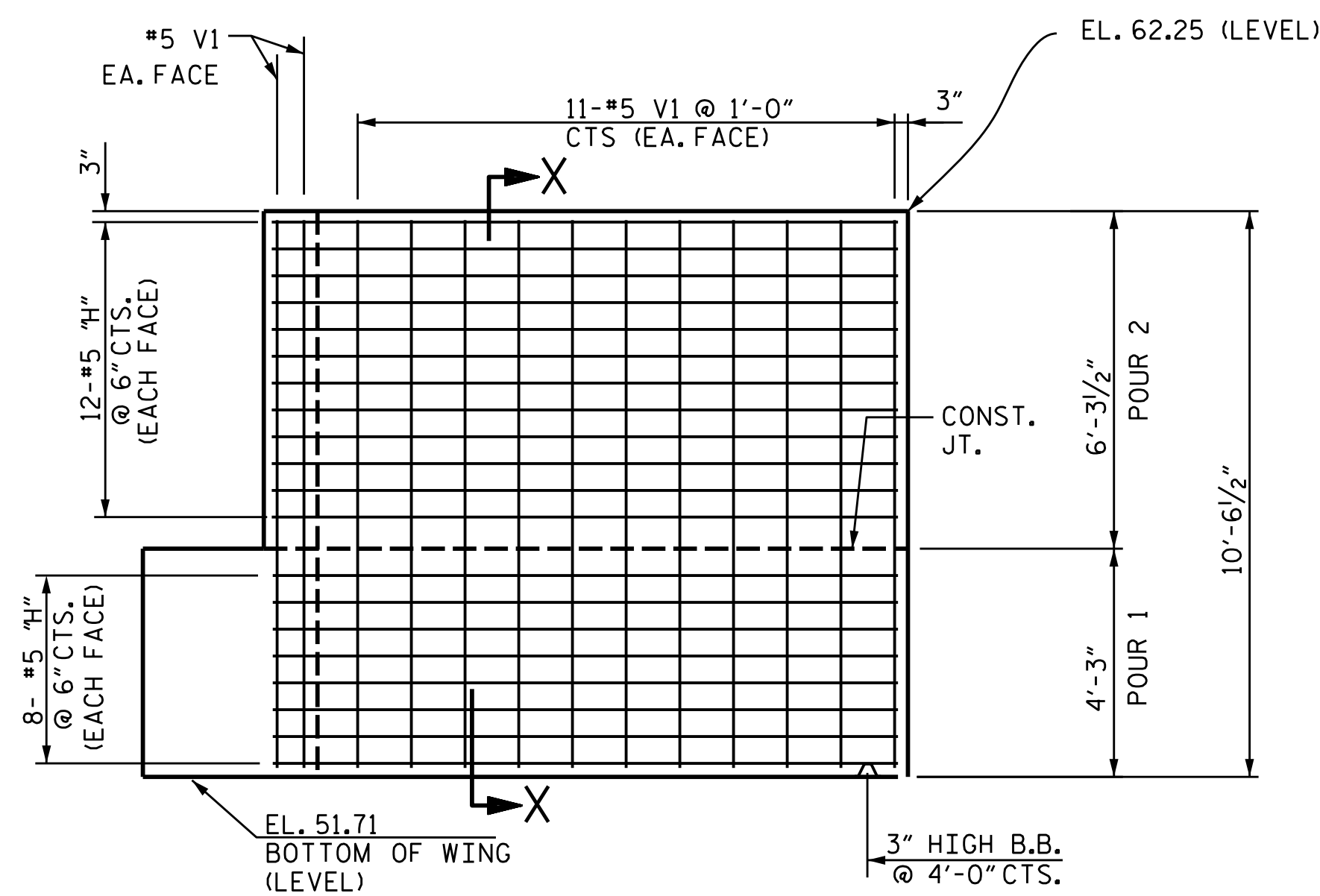


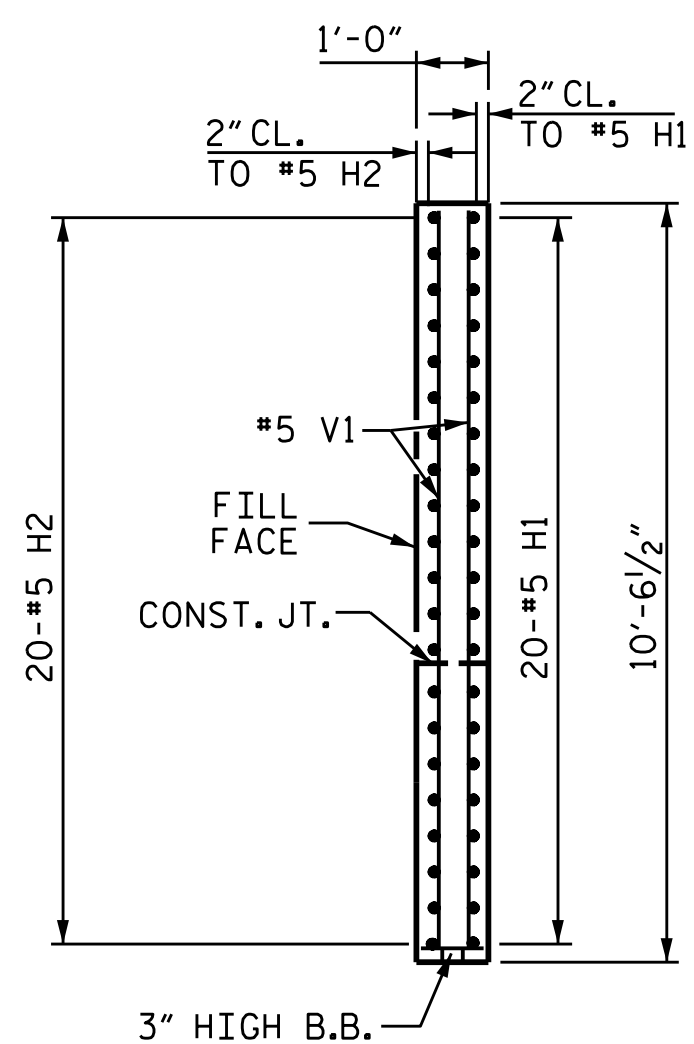
PLAN W1



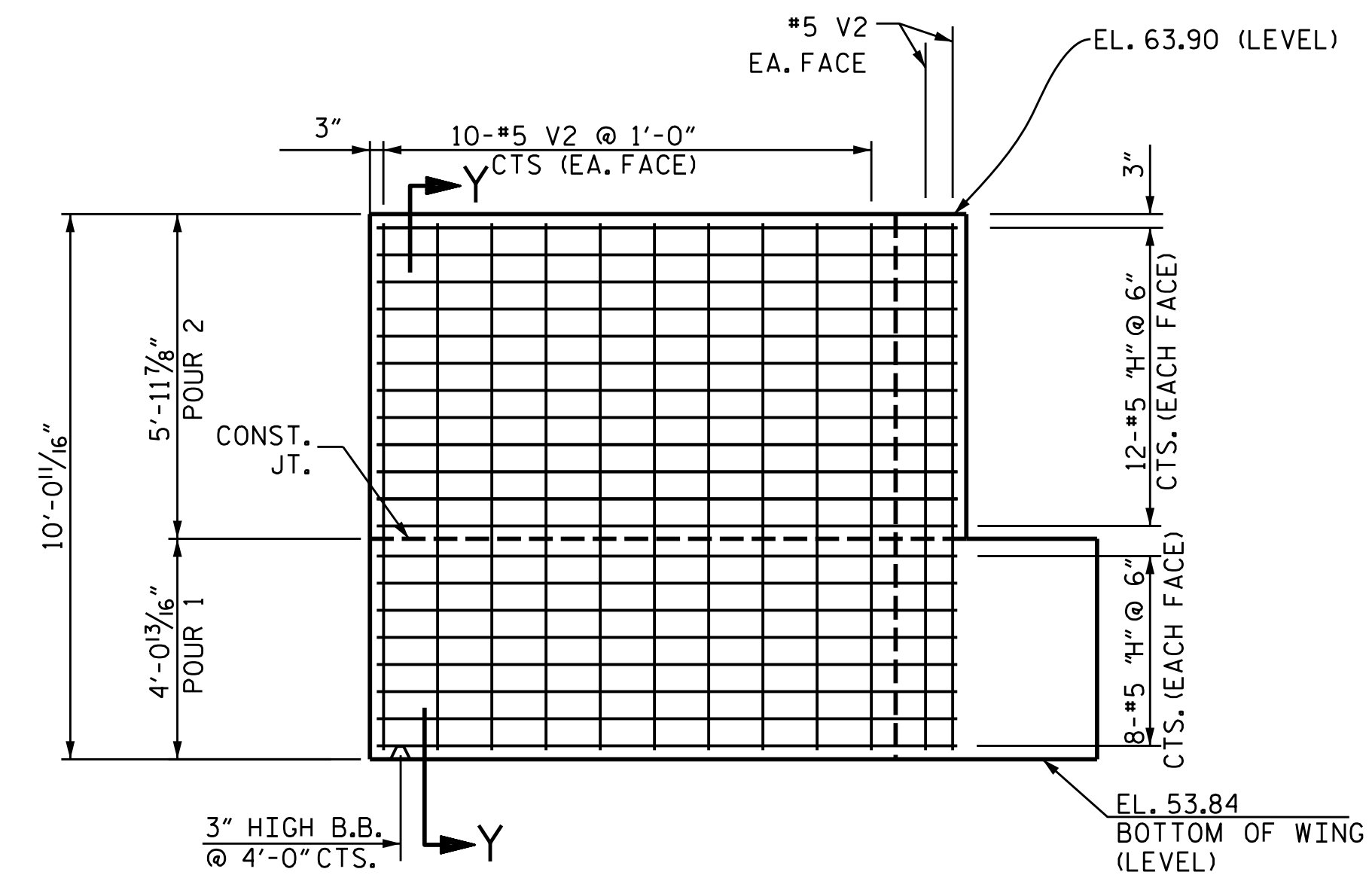
PLAN W2



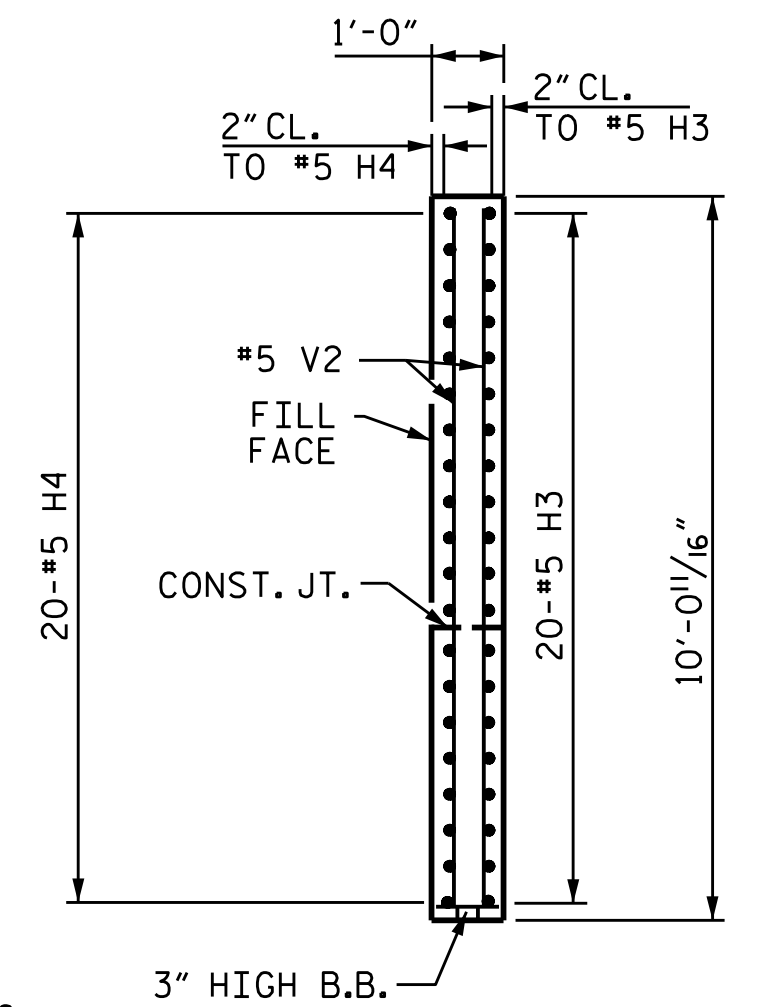
ELEVATION W1



SECTION X-X



ELEVATION W2



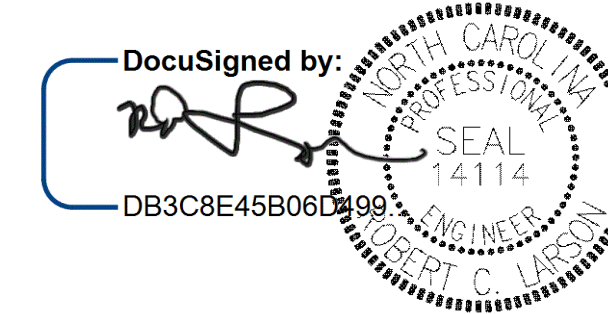
SECTION Y-Y

PROJECT NO. B-5671
EDGEcombe COUNTY
 STATION: 17+00.00 -L-

SHEET 2 OF 3

STATE OF NORTH CAROLINA
 DEPARTMENT OF TRANSPORTATION
 RALEIGH

SUBSTRUCTURE
 END BENT 1



DESIGN ENGINEER OF RECORD: [Signature] DATE: 1/24/2020
 DRAWN BY: A. K. ALLANKI DATE: 08/30/19
 CHECKED BY: R. C. LARSON DATE: 08/30/19

DOCUMENT NOT CONSIDERED FINAL
 UNLESS ALL SIGNATURES COMPLETED

KCI Associates
 of North Carolina, P.A.
 4505 Falls of Neuse Road, Suite 400 Raleigh, NC 27609-6370 Phone (919) 785-5241

REVISIONS		SHEET NO.	
NO.	DATE	NO.	BY
1		3	
2		4	

TOTAL SHEETS: 29

KCI PROJ. #251801945.24

1/24/2020