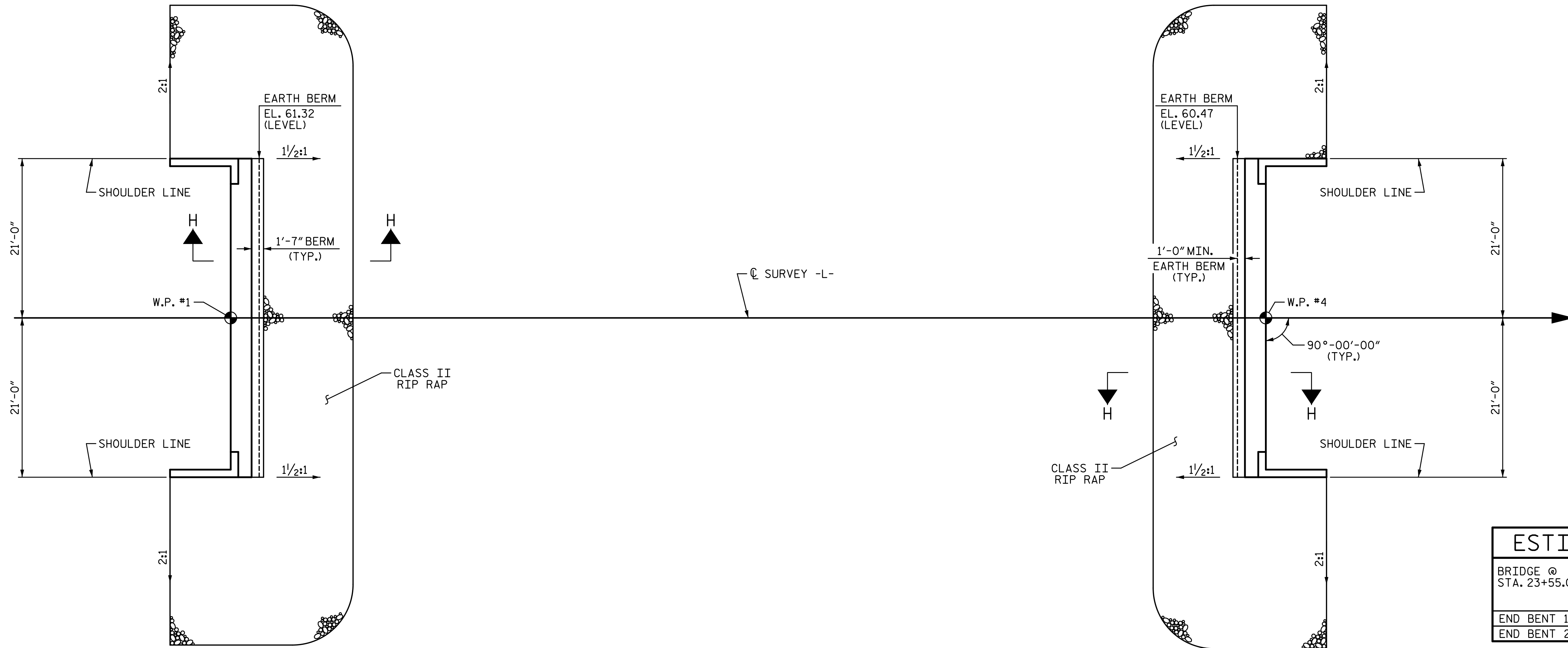


4/7/2020 4:10:52 PM G:\Projects\2018\Division 3 (SEA)\B-5639 (Duplin 36 NC11 over MaxwellCreek)\Structures\Drawings\SMJ_RR_300036.dgn

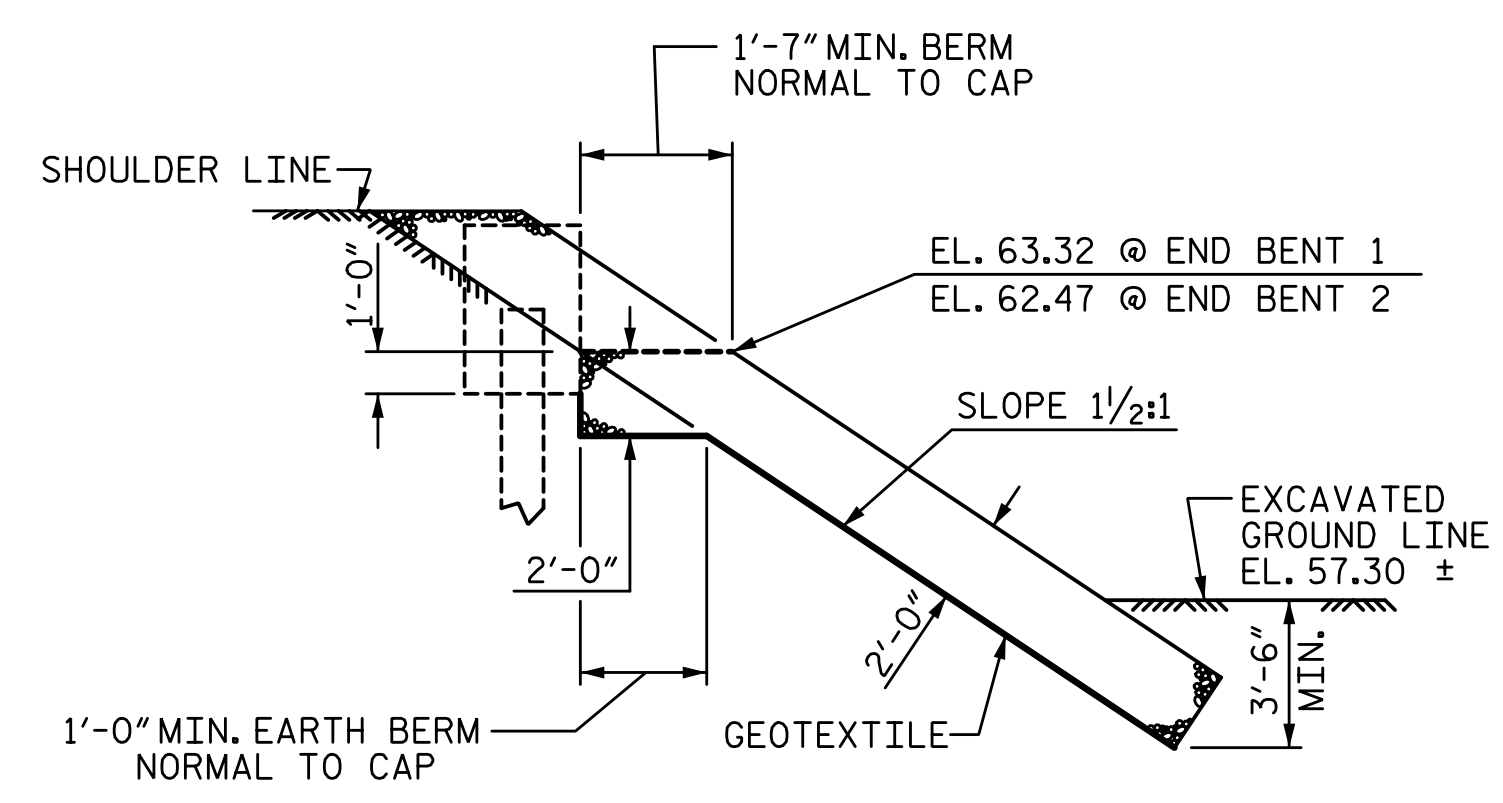


@ END BENT 1

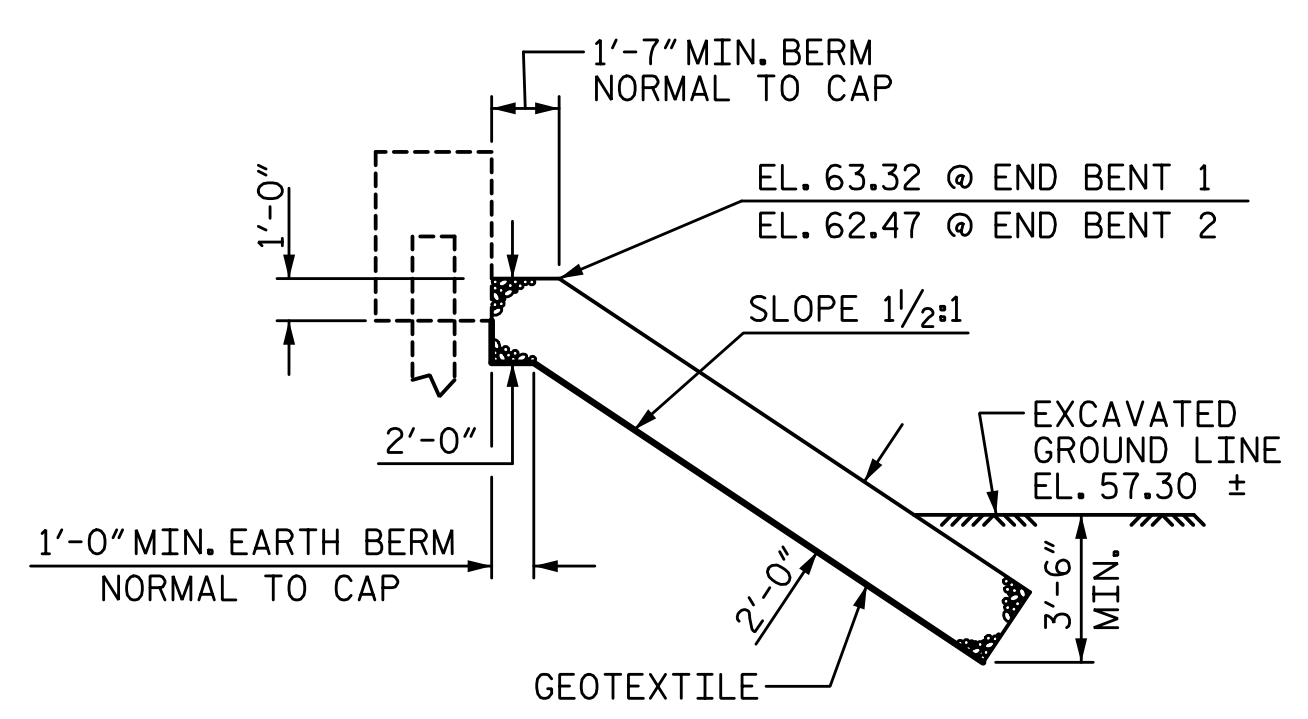
@ END BENT 2

PLAN OF RIP RAP

ESTIMATED QUANTITIES		
BRIDGE @ STA. 23+55.00 -L-	RIP RAP CLASS II (2'-0" THICK)	GEOTEXTILE FOR DRAINAGE
	TONS	SQUARE YARDS
END BENT 1	160	180
END BENT 2	140	155



SECTION H-H



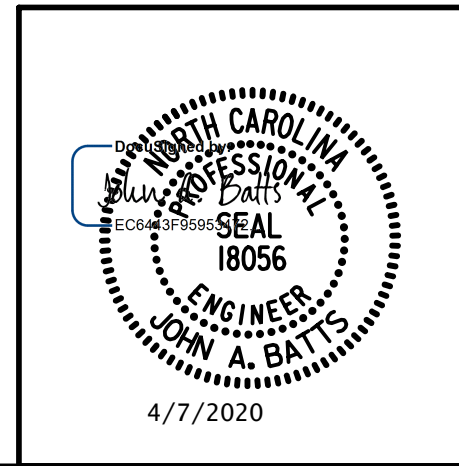
SECTION BERM RIP RAPPED

PROJECT NO. B-5639
DUPLIN COUNTY
 STATION: 23+55.00 -L-

STATE OF NORTH CAROLINA
 DEPARTMENT OF TRANSPORTATION
 RALEIGH

RIP RAP DETAILS

PLANS PREPARED BY:
SEA & A
 SIMPSON ENGINEERS & ASSOCIATES
 5640 Dillard Drive
 Suite 200
 Cary, NC 27518
 (919) 852-0468
 (919) 852-0598 (Fax)
 www.simpsonenr.com
 LICENSURE NO. C-2521



REVISIONS						SHEET NO. S-23
NO.	BY:	DATE:	NO.	BY:	DATE:	
1			3			TOTAL SHEETS
2			4			25

DRAWN BY: T. BANKOVICH DATE: 2-20
 CHECKED BY: J.A. BATTS DATE: 2-20
 DESIGN ENGINEER OF RECORD: J.A. BATTS DATE: 2-20

**DOCUMENT NOT CONSIDERED FINAL
 UNLESS ALL SIGNATURES COMPLETED**