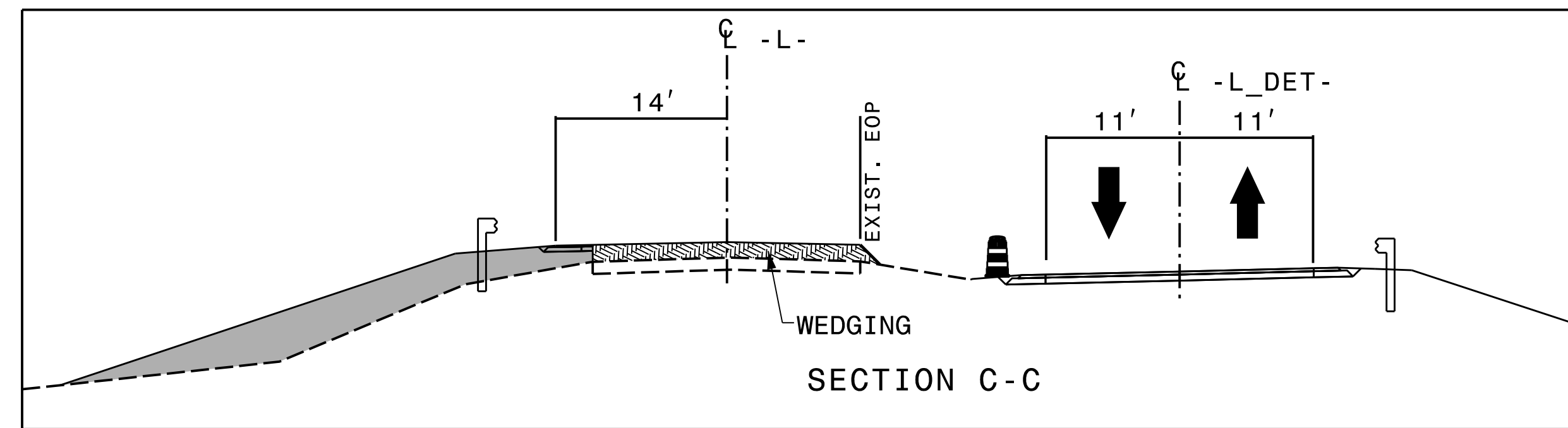
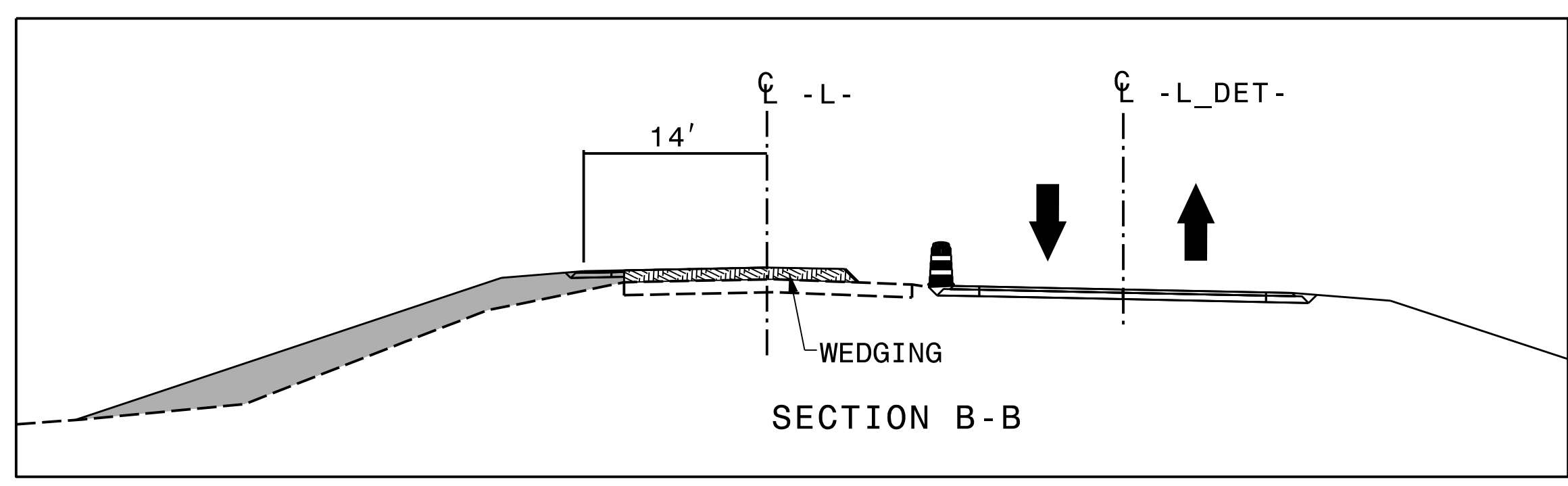
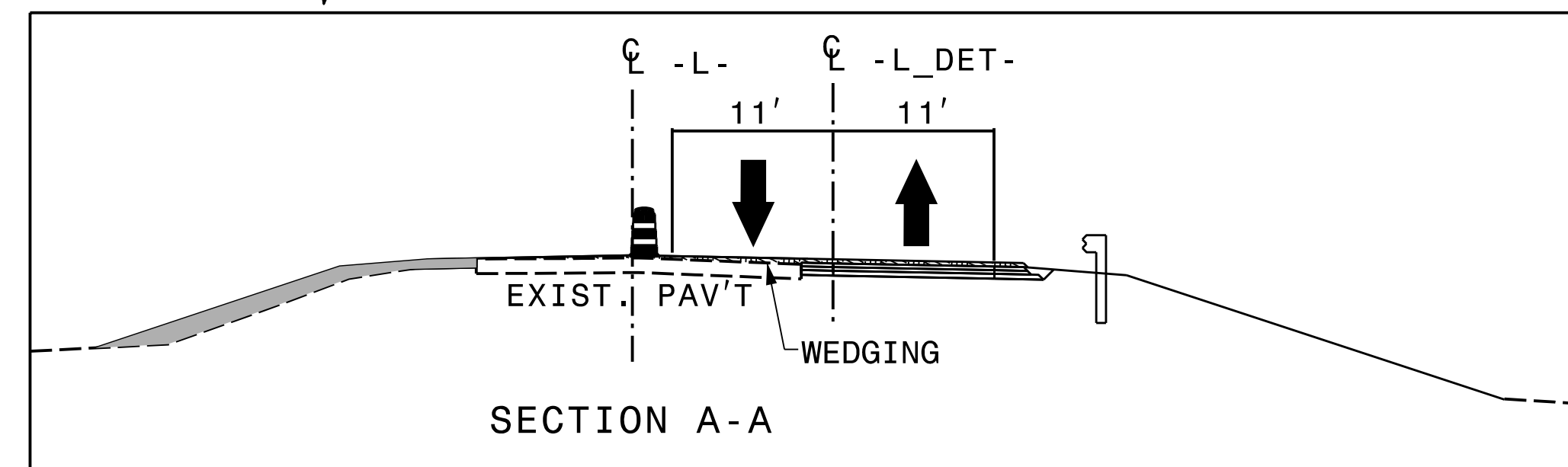


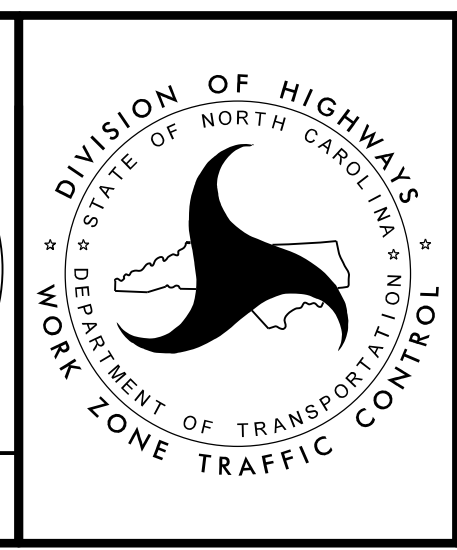
500' MIN.



MATCH LINE  
-L- STA 25+00  
SEE SHEET TMP-7

PLOT DRIVER: NCDOT\_pdf\_mono\_eng\_50.plt  
USER: WRZEPKA  
PENTABLE: NCDOT\_tcp.tbl  
DATE: 2/28/2020  
TIME: 2:22:10 PM  
FILE: p:\w\h\users\01\HDR-US\_East\_01\Documents\5705\10127505\6\_0\_CAD\_BITMAP\6.2\_WIP\Division\_03\B-5639\_TrafficControl\TCP\B5639\_tmp\_06.dtl01.dgn

APPROVED: *Michael T. Ryepka*  
DATE: 1/6/2021  
NORTH CAROLINA PROFESSIONAL ENGINEER SEAL 15876  
MICHAEL T. RYEPKA



PHASE 2  
DETAIL

DOCUMENT NOT CONSIDERED FINAL  
UNLESS ALL SIGNATURES COMPLETED