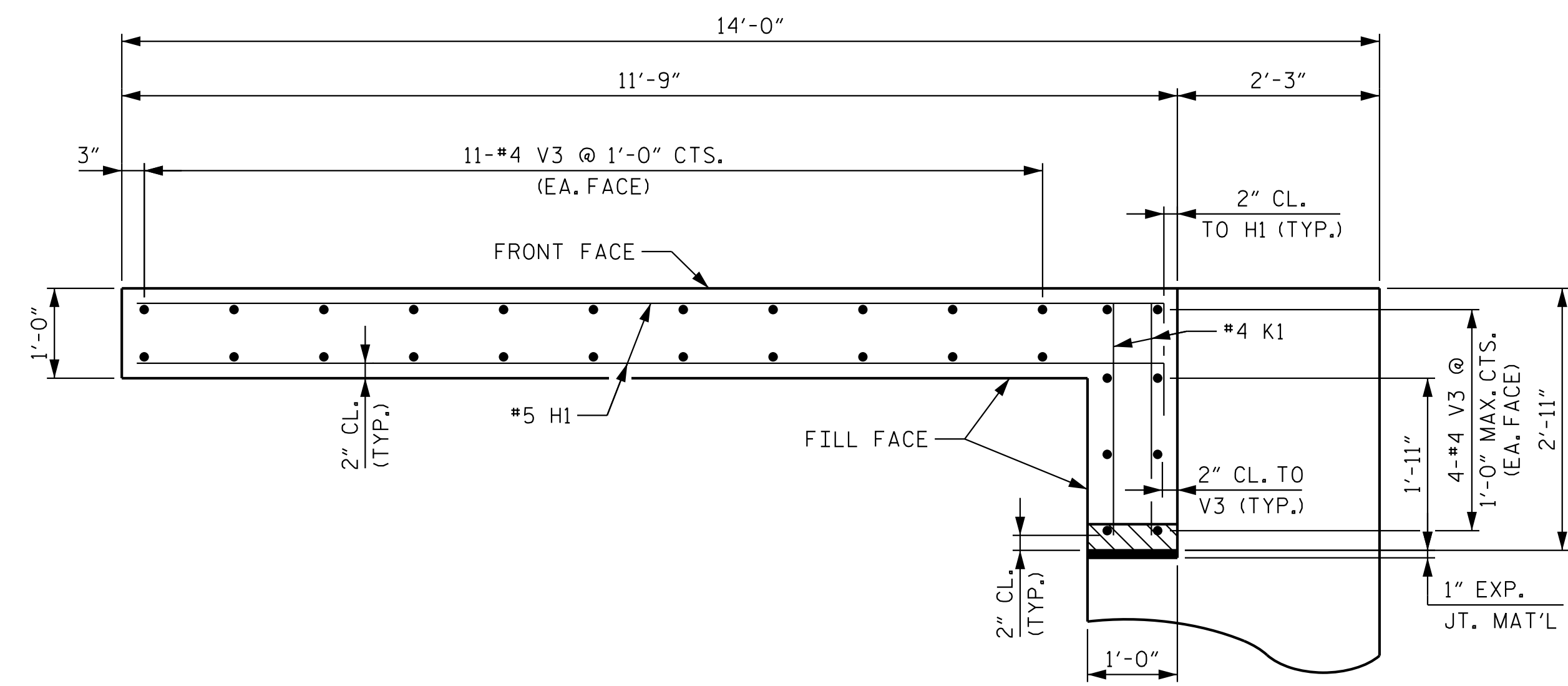
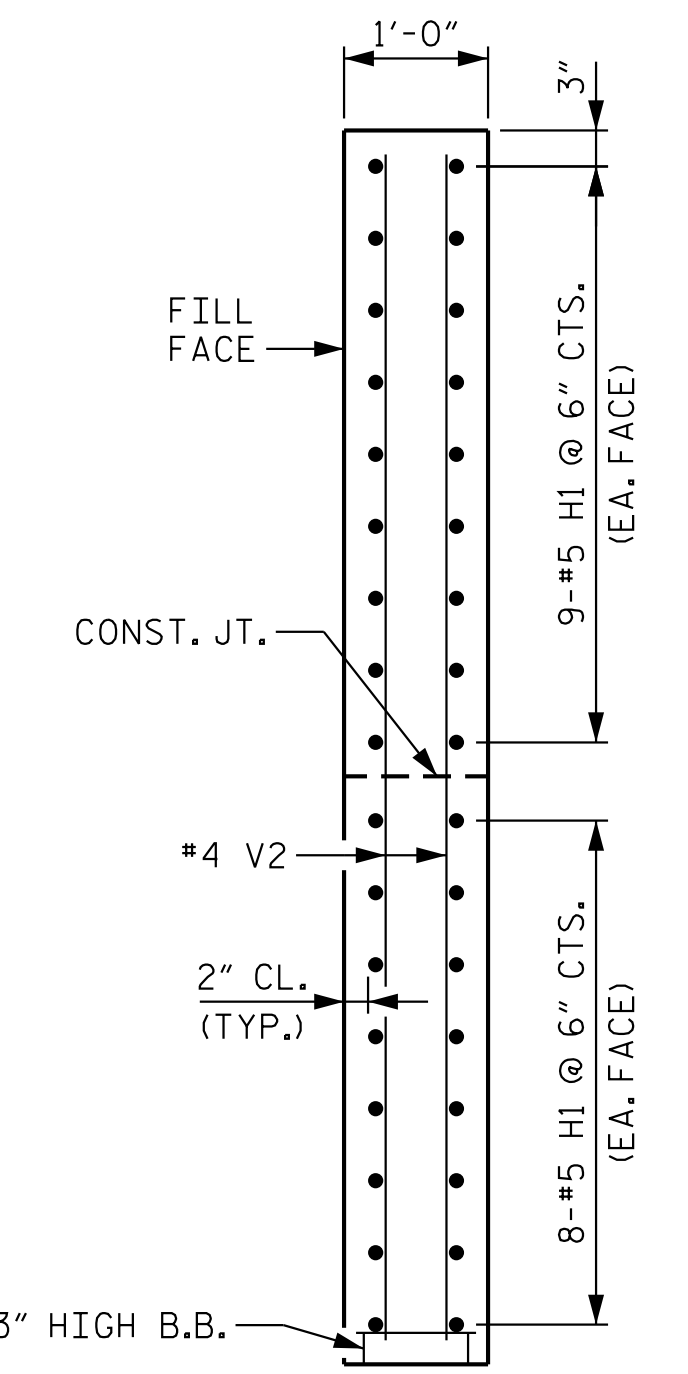


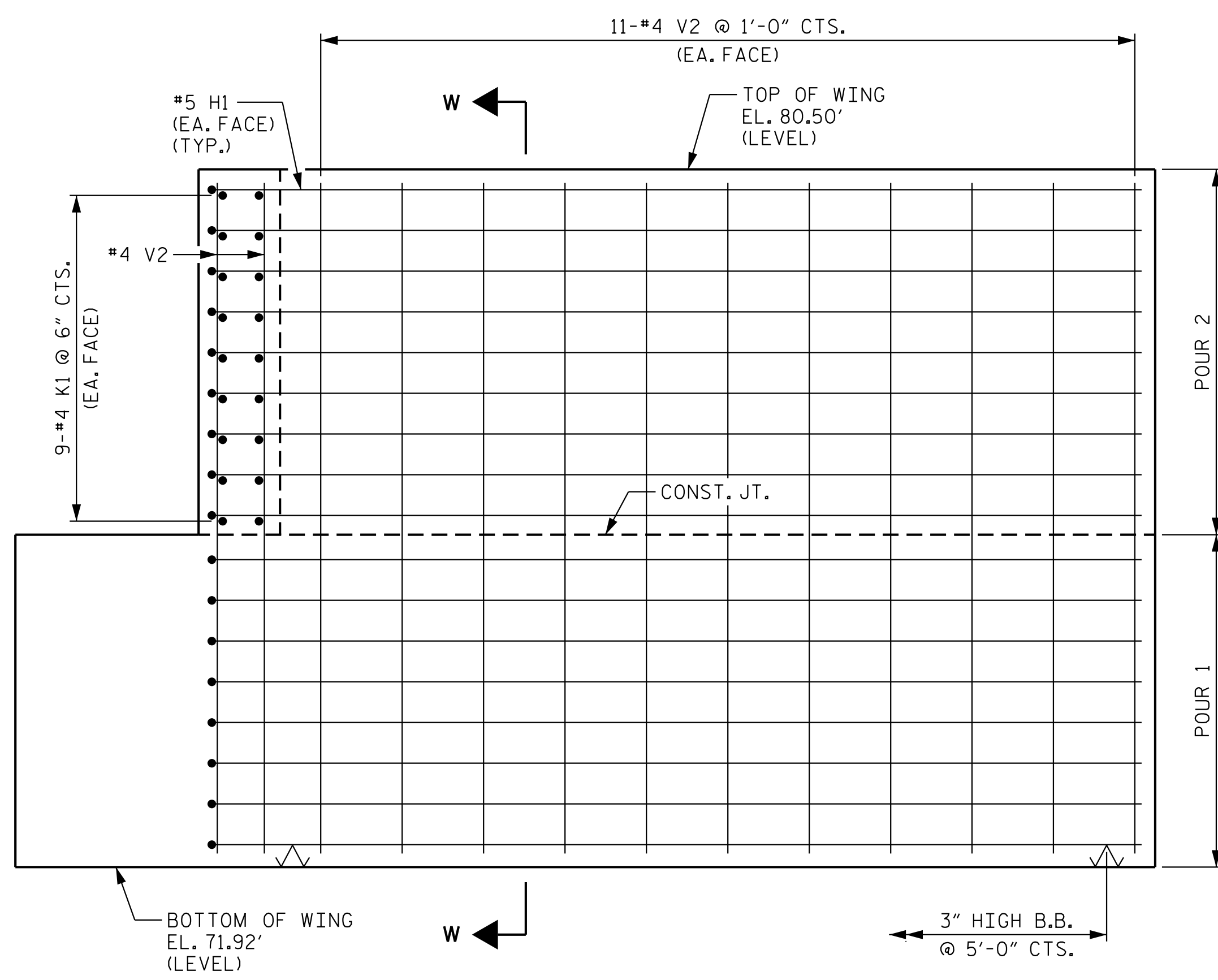
PLAN OF WING (W3)



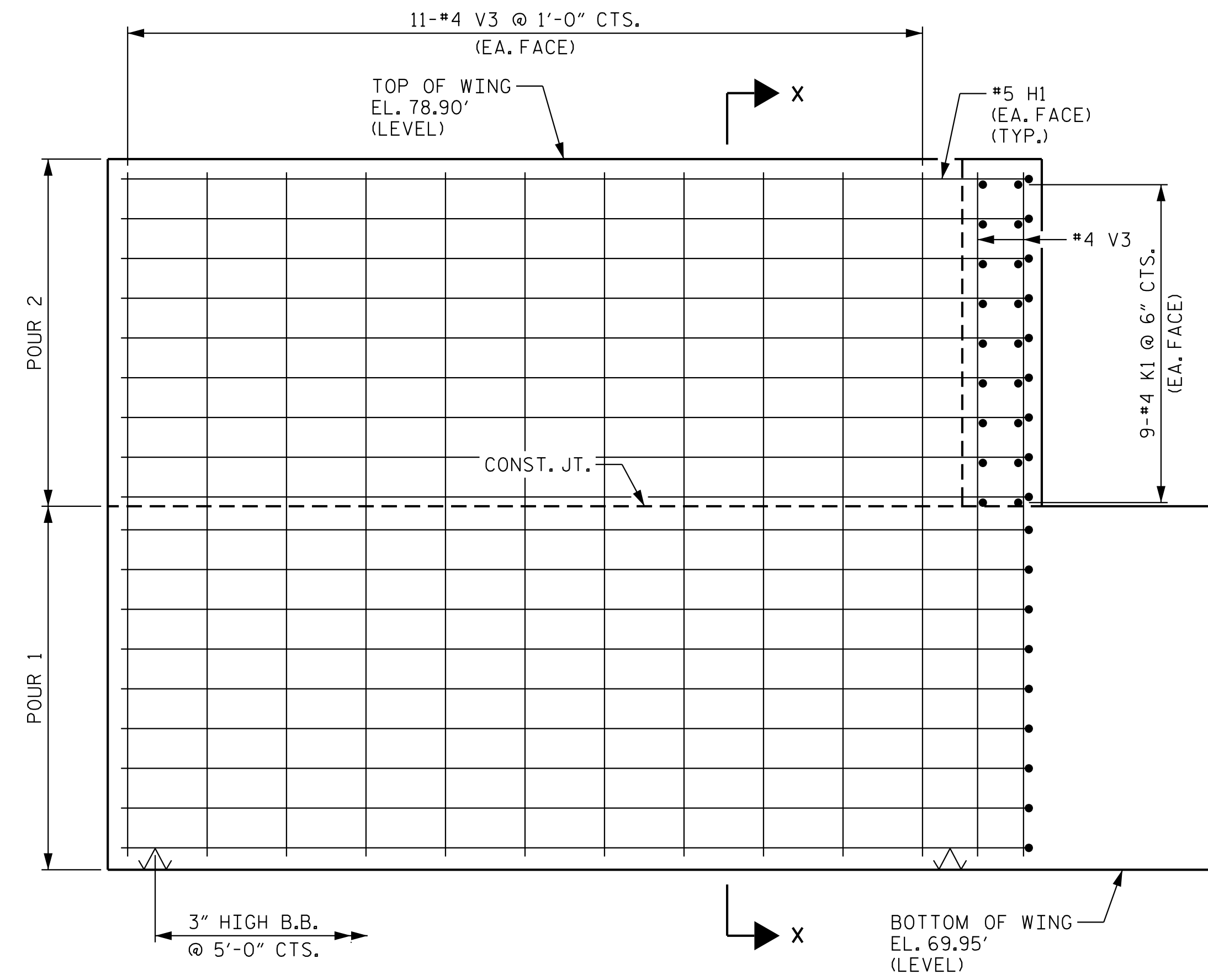
PLAN OF WING (W4)



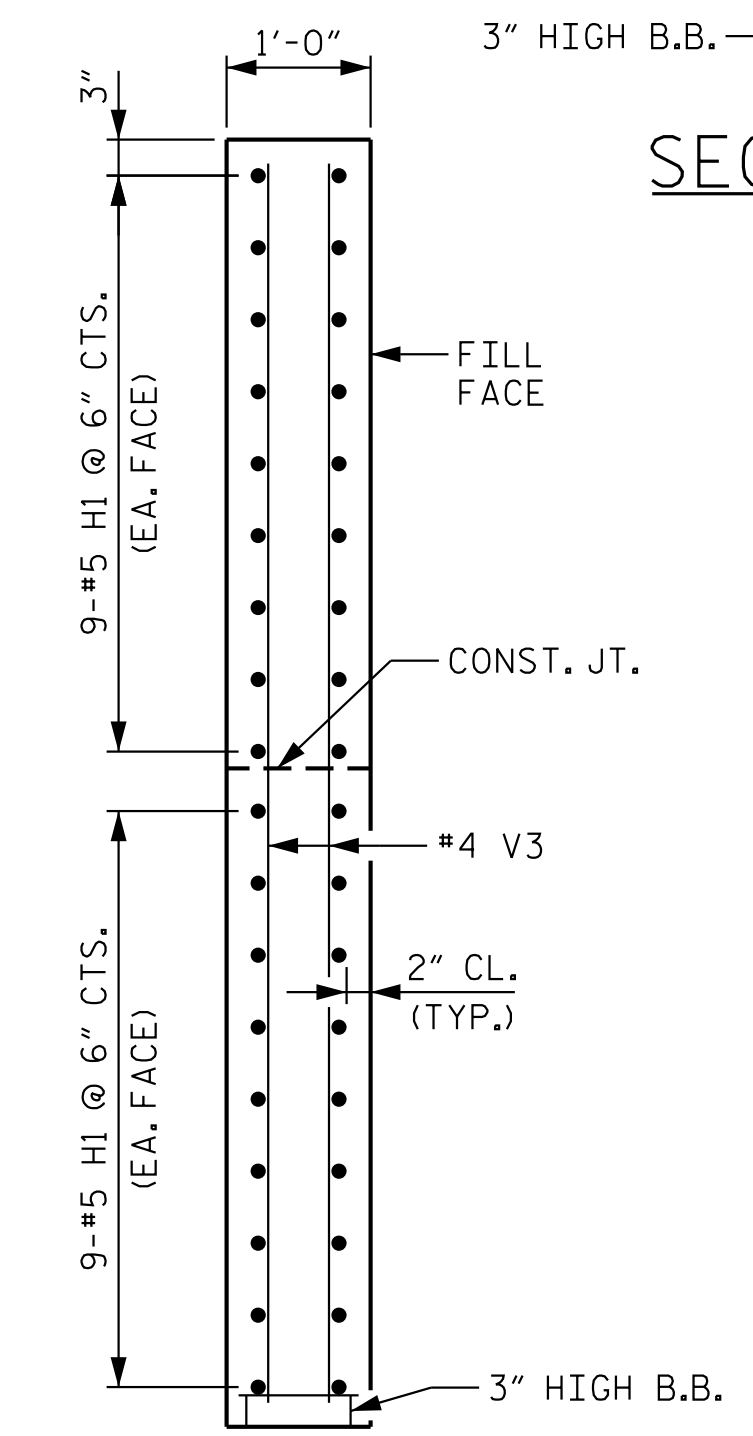
SECTION W-W



ELEVATION OF WING (W3)



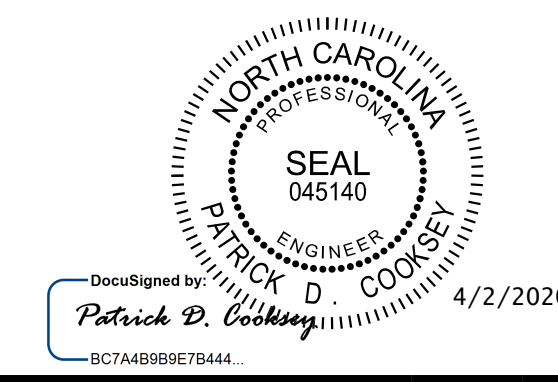
ELEVATION OF WING (W4)



SECTION X-X

PROJECT NO. B-5534
DUPLIN COUNTY
 STATION: 21+68.50 -L-

SHEET 2 OF 3



Kimley»Horn
 421 Fayetteville Street, Suite 600
 Raleigh, NC 27601-1772
 Phone (919) 677-2000
 NC LICENSE # F-0102

STATE OF NORTH CAROLINA
 DEPARTMENT OF TRANSPORTATION
 RALEIGH
 SUBSTRUCTURE
 END BENT 2
 SECTION AND DETAILS

REVISIONS						SHEET NO.
NO.	BY:	DATE:	NO.	BY:	DATE:	S-30
1			3			TOTAL SHEETS
2			4			34

**DOCUMENT NOT CONSIDERED FINAL
 UNLESS ALL SIGNATURES COMPLETED**

2/20/2020 K:\BID1-Structures\Bridges\NC\01036500 - B-5534\Gcn\Dgn\B5534_SML.E5_300082.dgn

DRAWN BY: D. D. LOWERY DATE: 02/2020
 CHECKED BY: J. C. WILSON DATE: 02/2020
 DESIGN ENGINEER OF RECORD: P. D. COOKSEY DATE: 02/2020