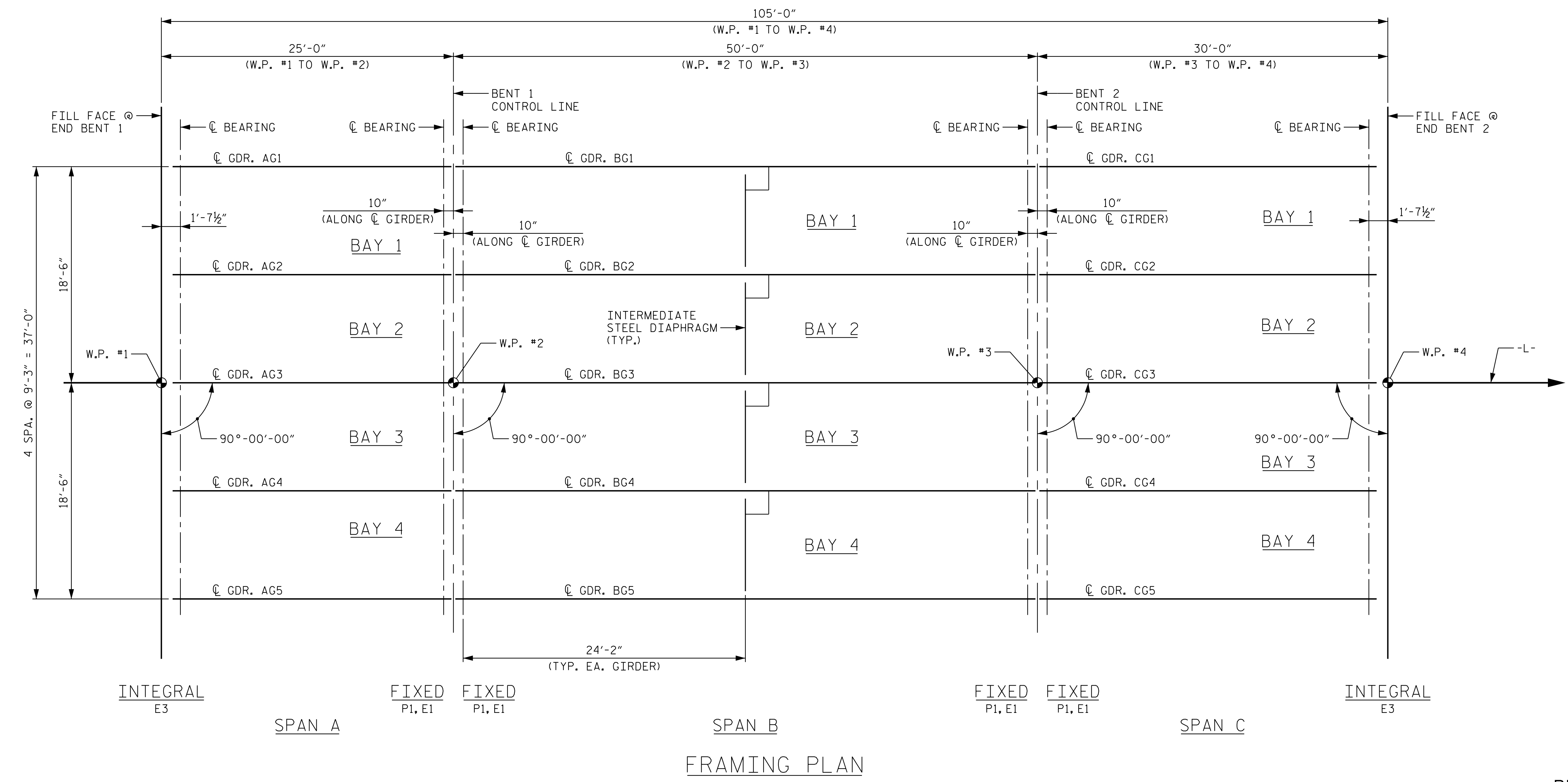


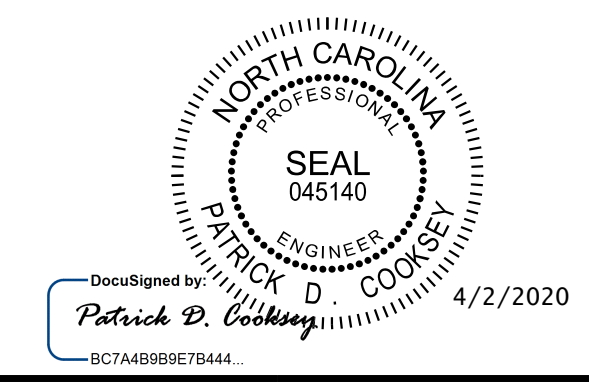
NOTES

FOR STEEL DIAPHRAGM DETAILS, SEE "INTERMEDIATE STEEL DIAPHRAGMS FOR TYPE II PRESTRESSED CONCRETE GIRDER" SHEET.



FRAMING PLAN

PROJECT NO. B-5534
DUPLIN COUNTY
 STATION: 21+68.50 -L-



Kimley»Horn
 421 Fayetteville Street, Suite 600
 Raleigh, NC 27601-1772
 Phone (919) 677-2000
 NC LICENSE # F-0102

STATE OF NORTH CAROLINA
 DEPARTMENT OF TRANSPORTATION
 RALEIGH
 SUPERSTRUCTURE
 FRAMING PLAN

DRAWN BY: D. D. LOWERY DATE: 02/2020
 CHECKED BY: J. C. WILSON DATE: 02/2020
 DESIGN ENGINEER OF RECORD: P. D. COOKSEY DATE: 02/2020

**DOCUMENT NOT CONSIDERED FINAL
 UNLESS ALL SIGNATURES COMPLETED**

REVISIONS						SHEET NO.
NO.	BY:	DATE:	NO.	BY:	DATE:	S-10
1			3			TOTAL SHEETS
2			4			34

K:\BIDI-Structures\Bridges\NC\01036500 - B-5534\GenDgn\B5534_SML\FPI_300082.dgn