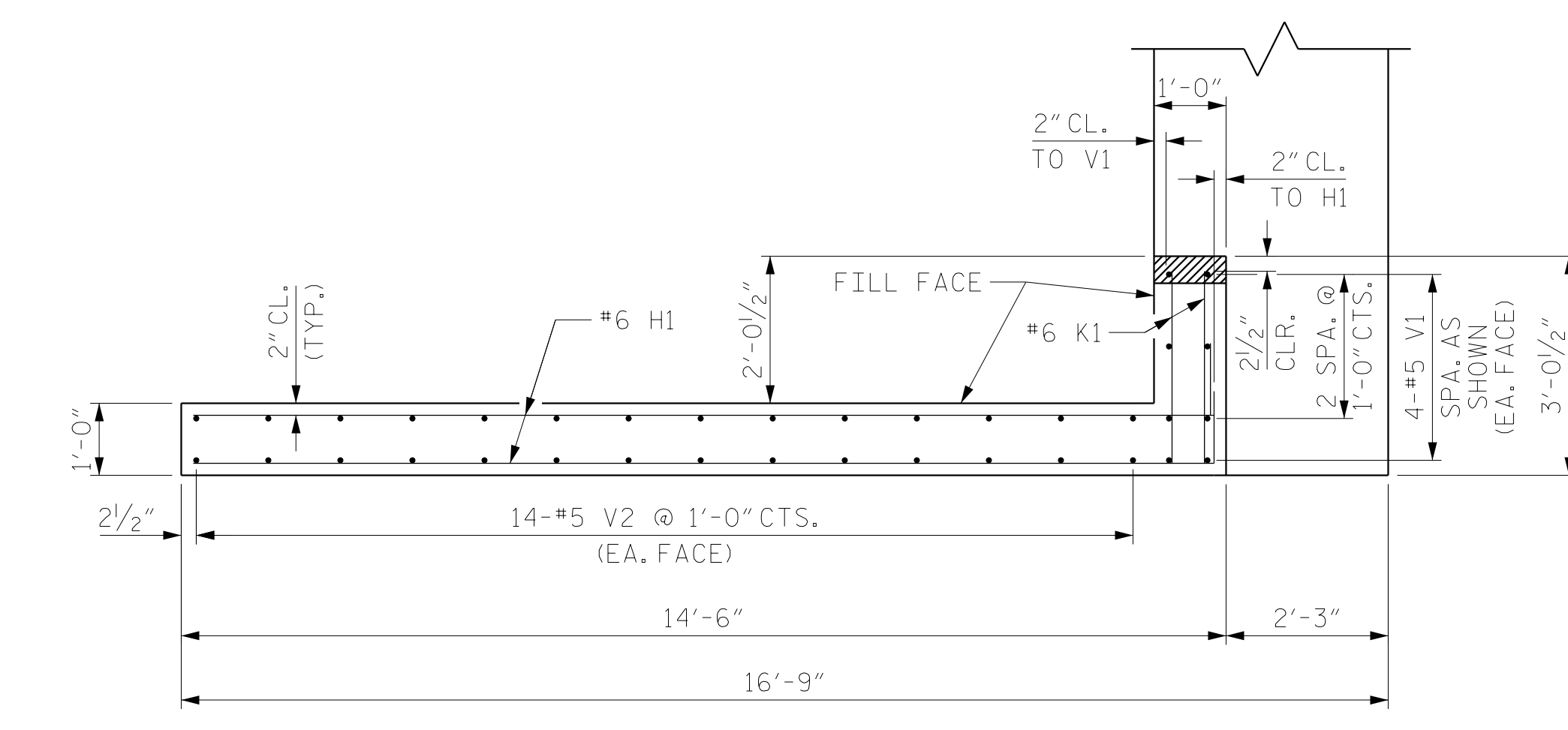
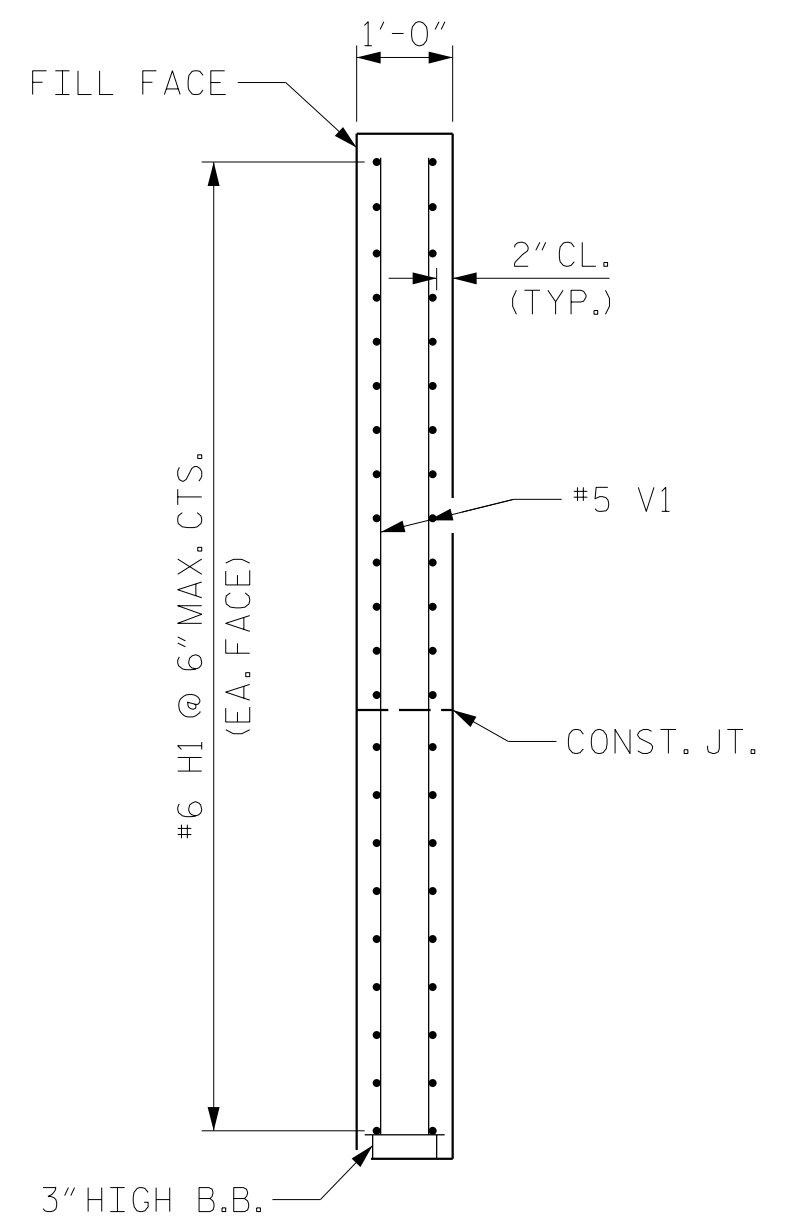


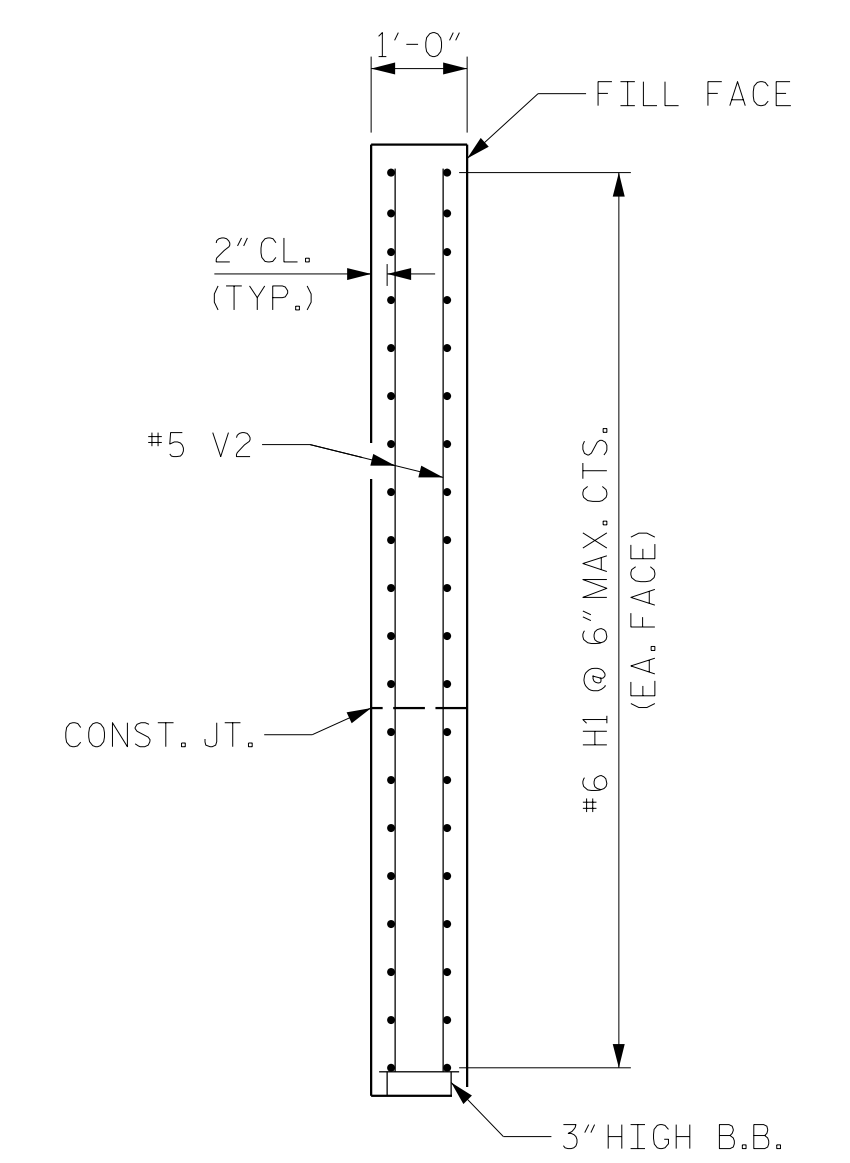
PLAN OF WING - W1



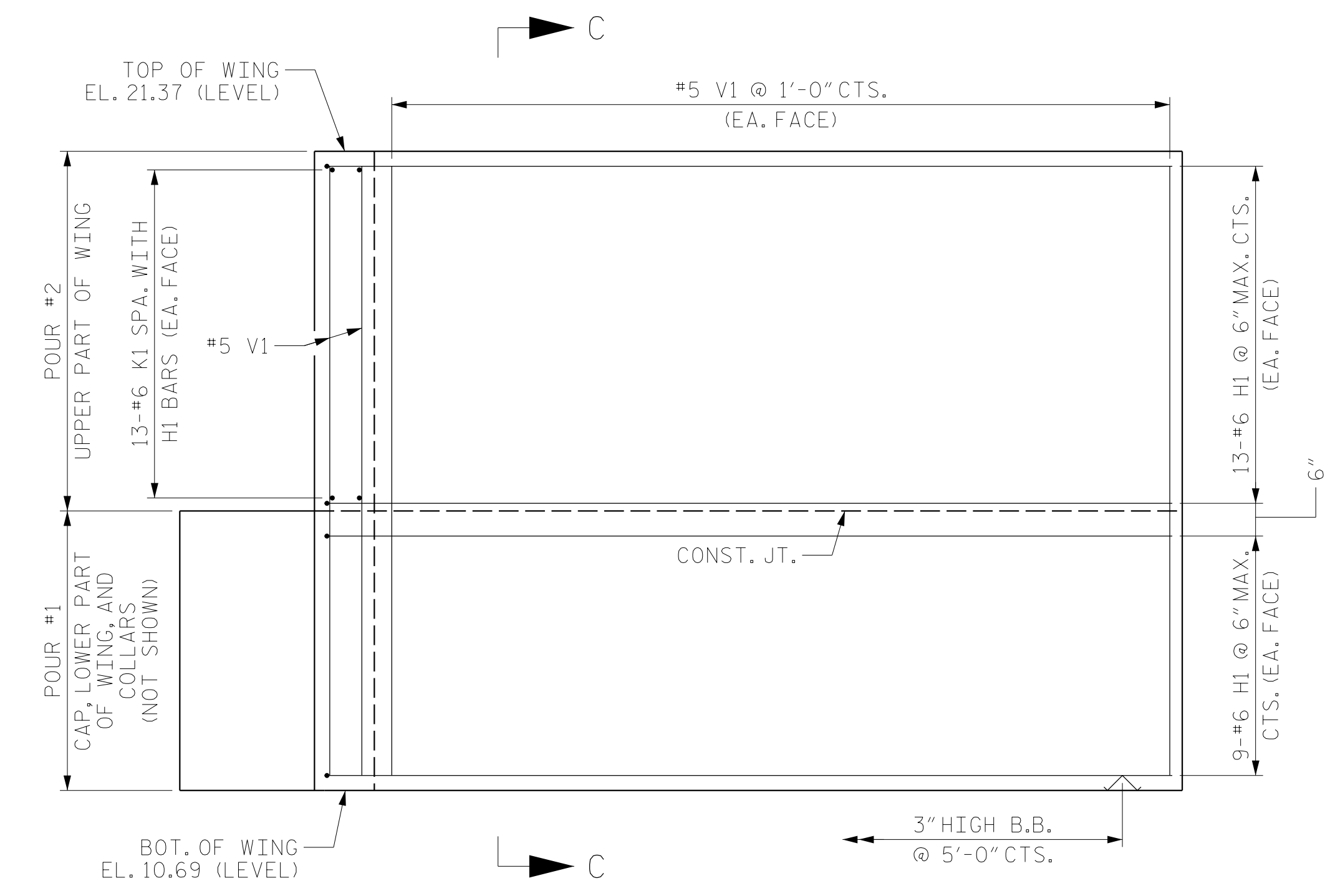
PLAN OF WING - W2



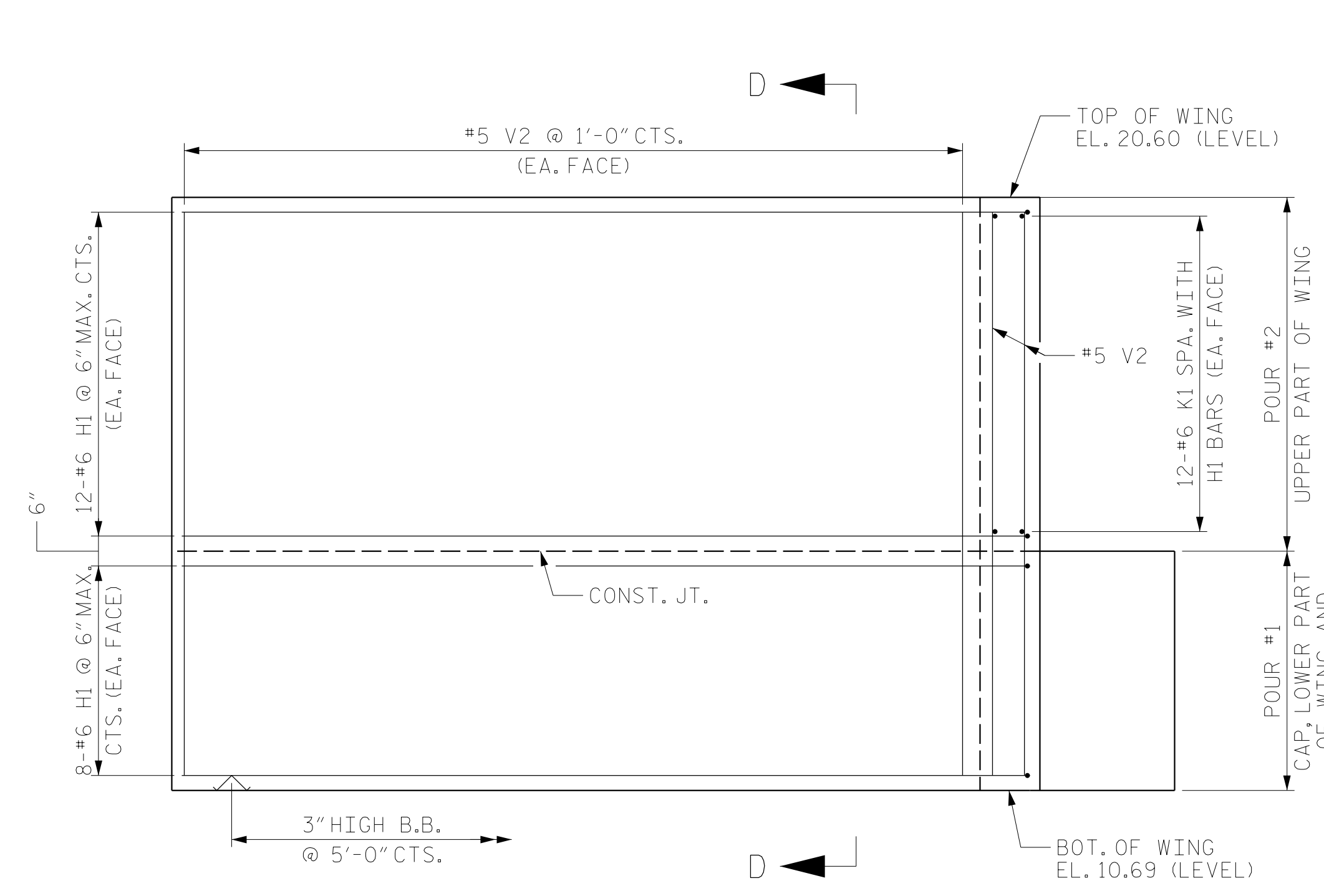
SECTION C-C



SECTION D-D



ELEVATION OF WING - W1



ELEVATION OF WING - W2

PROJECT NO. B-4484
CRAVEN COUNTY
 STATION: 41+45.00 -L1-

SHEET 2 OF 3 REPLACES BRIDGE NO. 240139



RS&H Architects-Engineers-Planners, Inc.
 8521 Six Forks Road, Suite 400
 919-926-4100 FAX 919-846-9080
 www.rsandh.com
 North Carolina License No. 50737-F-0403-C-28

STATE OF NORTH CAROLINA
 DEPARTMENT OF TRANSPORTATION
 RALEIGH
 SUBSTRUCTURE
 INTEGRAL
 END BENT NO. 2

DRAWN BY : NSC DATE : 04/2019
 CHECKED BY : JMR DATE : 05/2019
 DESIGN ENGINEER OF RECORD: PDS DATE : 06/2019

DOCUMENT NOT CONSIDERED
 FINAL UNLESS ALL
 SIGNATURES COMPLETED

REVISIONS						SHEET NO.
NO.	BY:	DATE:	NO.	BY:	DATE:	S2-27
1			3			TOTAL SHEETS
2			4			31