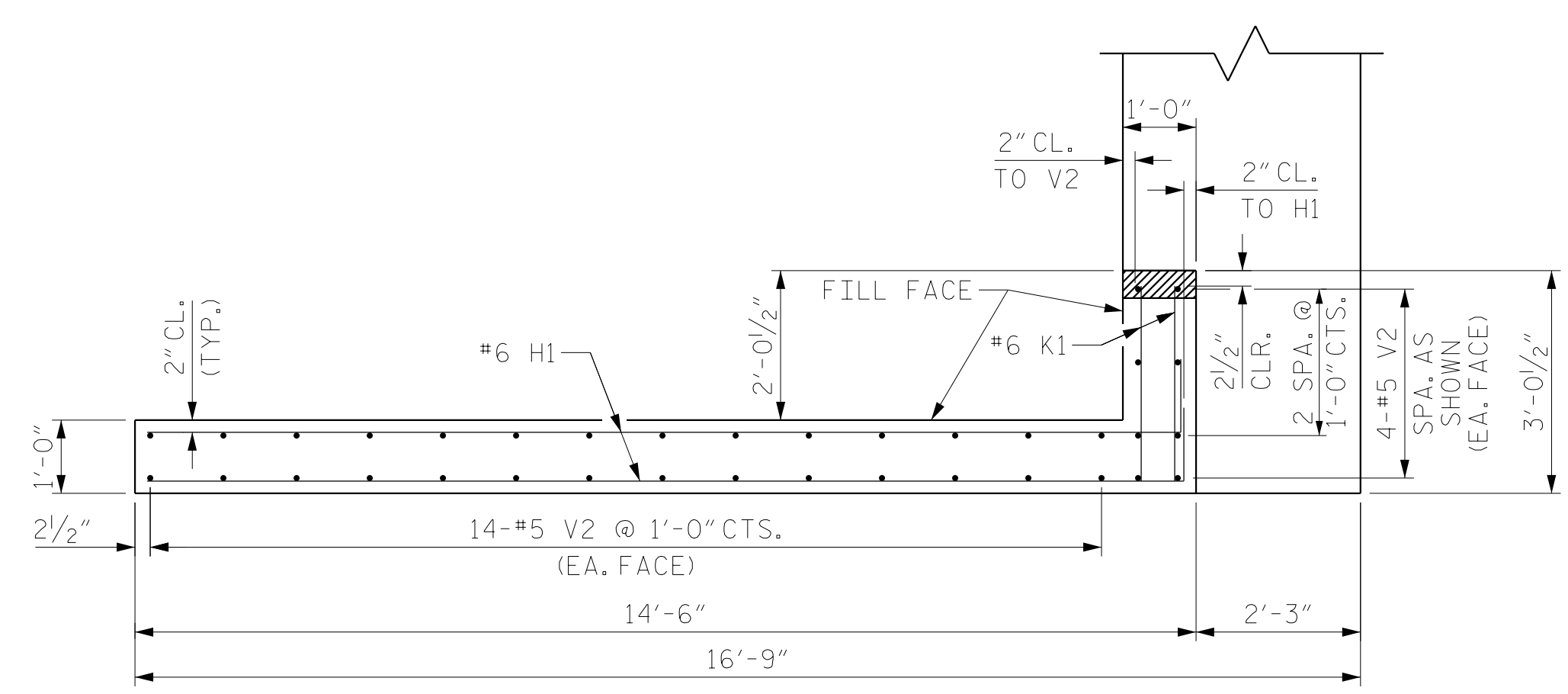
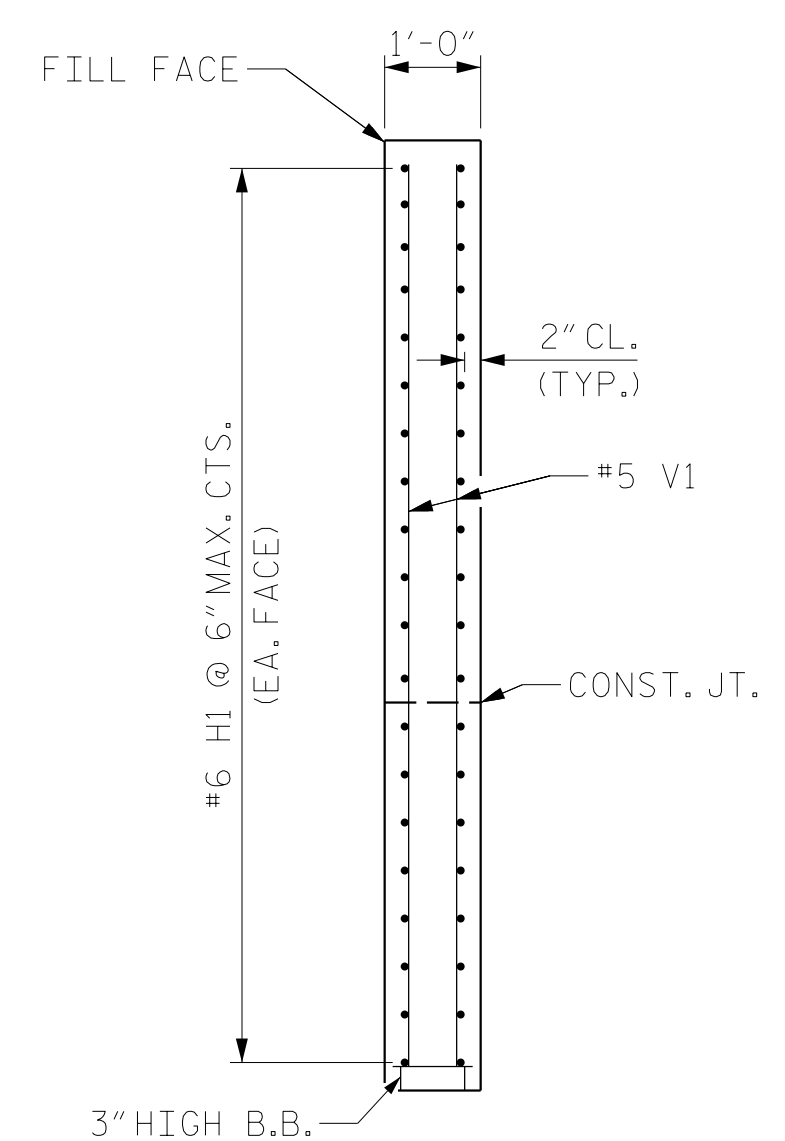


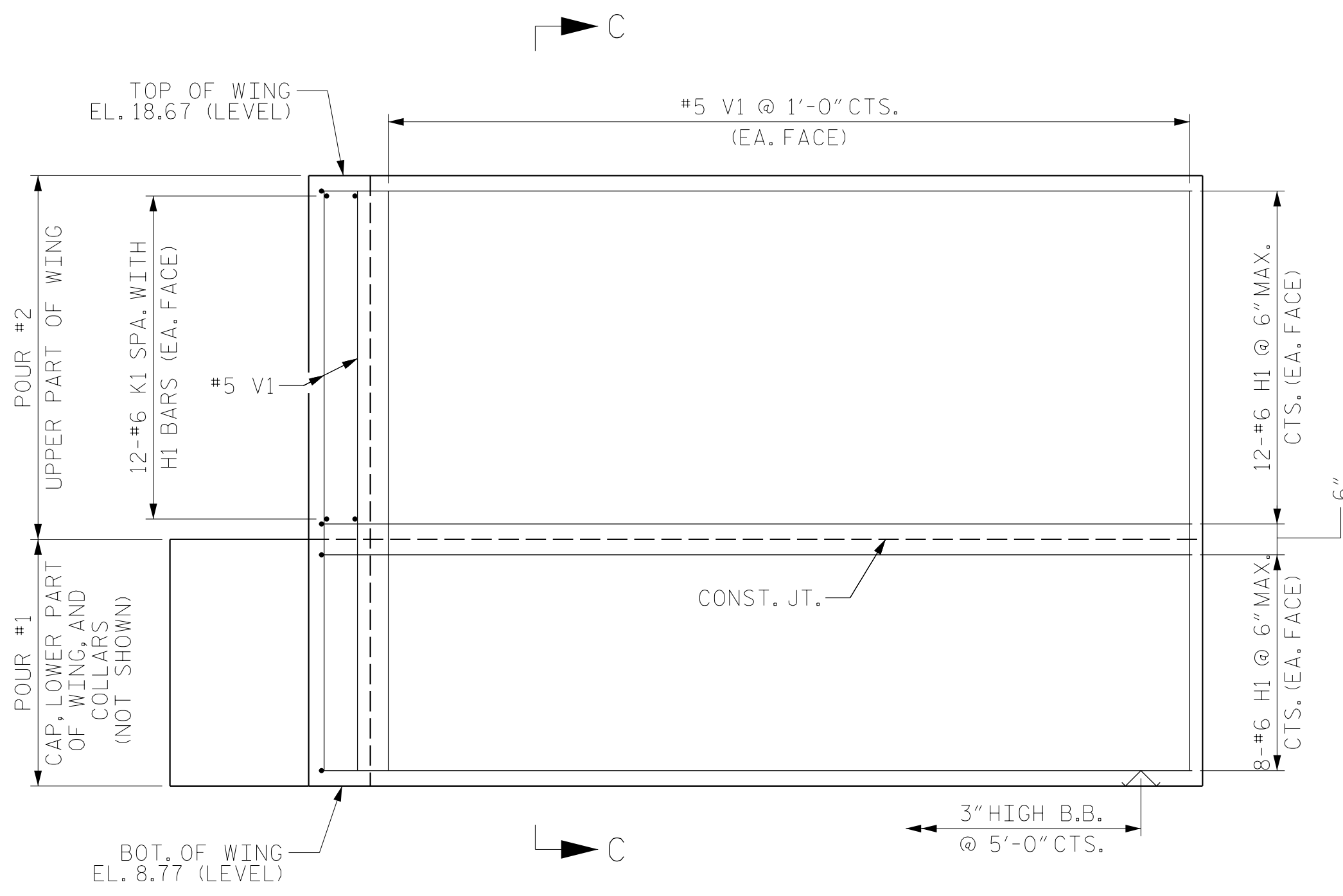
PLAN OF WING - W1



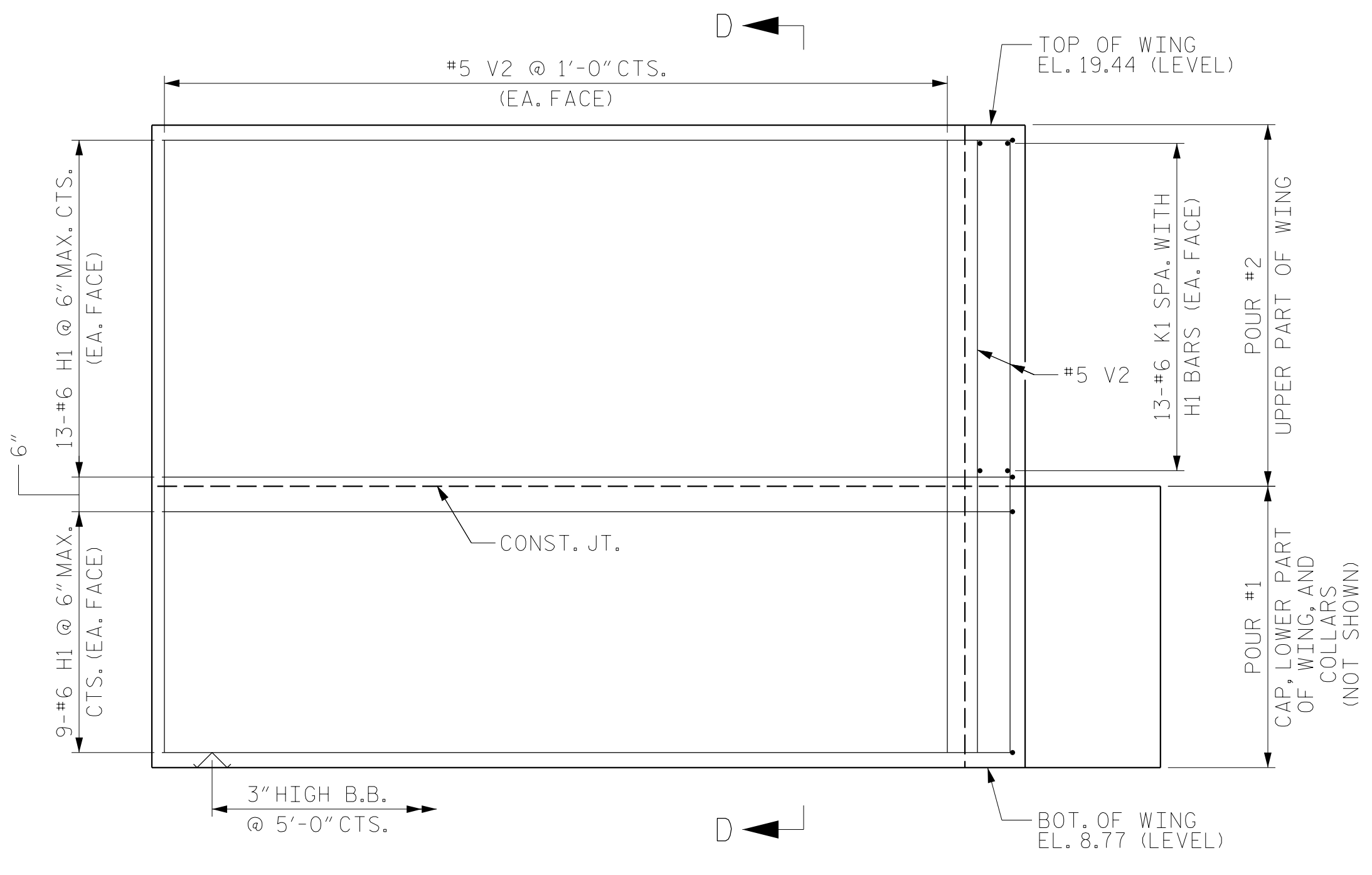
PLAN OF WING - W2



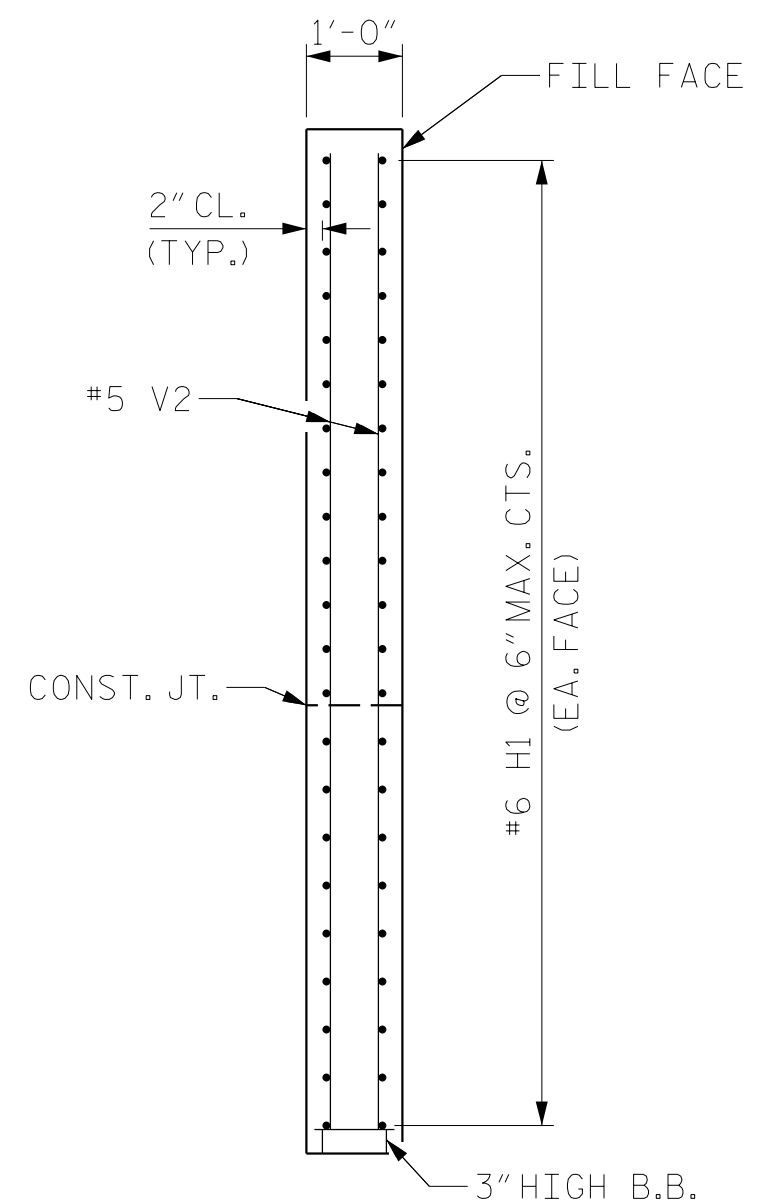
SECTION C-C



ELEVATION OF WING - W1



ELEVATION OF WING - W2



SECTION D-D

PROJECT NO. B-4484  
CRAVEN COUNTY  
 STATION: 41+45.00 -L1-

SHEET 2 OF 3 REPLACES BRIDGE NO. 240139



8521 Six Forks Road, Suite 400  
 919-926-4100 FAX 919-846-9080  
 www.rsandh.com  
 North Carolina License No. 50737-F-0403-C-28

STATE OF NORTH CAROLINA  
 DEPARTMENT OF TRANSPORTATION  
 RALEIGH  
 SUBSTRUCTURE  
 INTEGRAL  
 END BENT NO. 1

DRAWN BY : NSC DATE : 05/2019  
 CHECKED BY : JMR DATE : 05/2019  
 DESIGN ENGINEER OF RECORD: PDS DATE : 06/2019

DOCUMENT NOT CONSIDERED  
 FINAL UNLESS ALL  
 SIGNATURES COMPLETED

REVISIONS						SHEET NO.
NO.	BY:	DATE:	NO.	BY:	DATE:	S2-21
1			3			TOTAL SHEETS
2			4			31