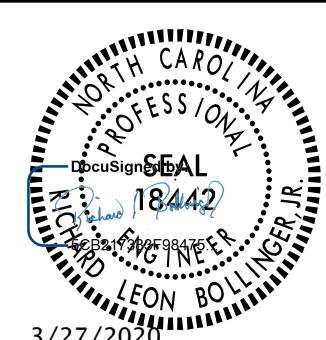
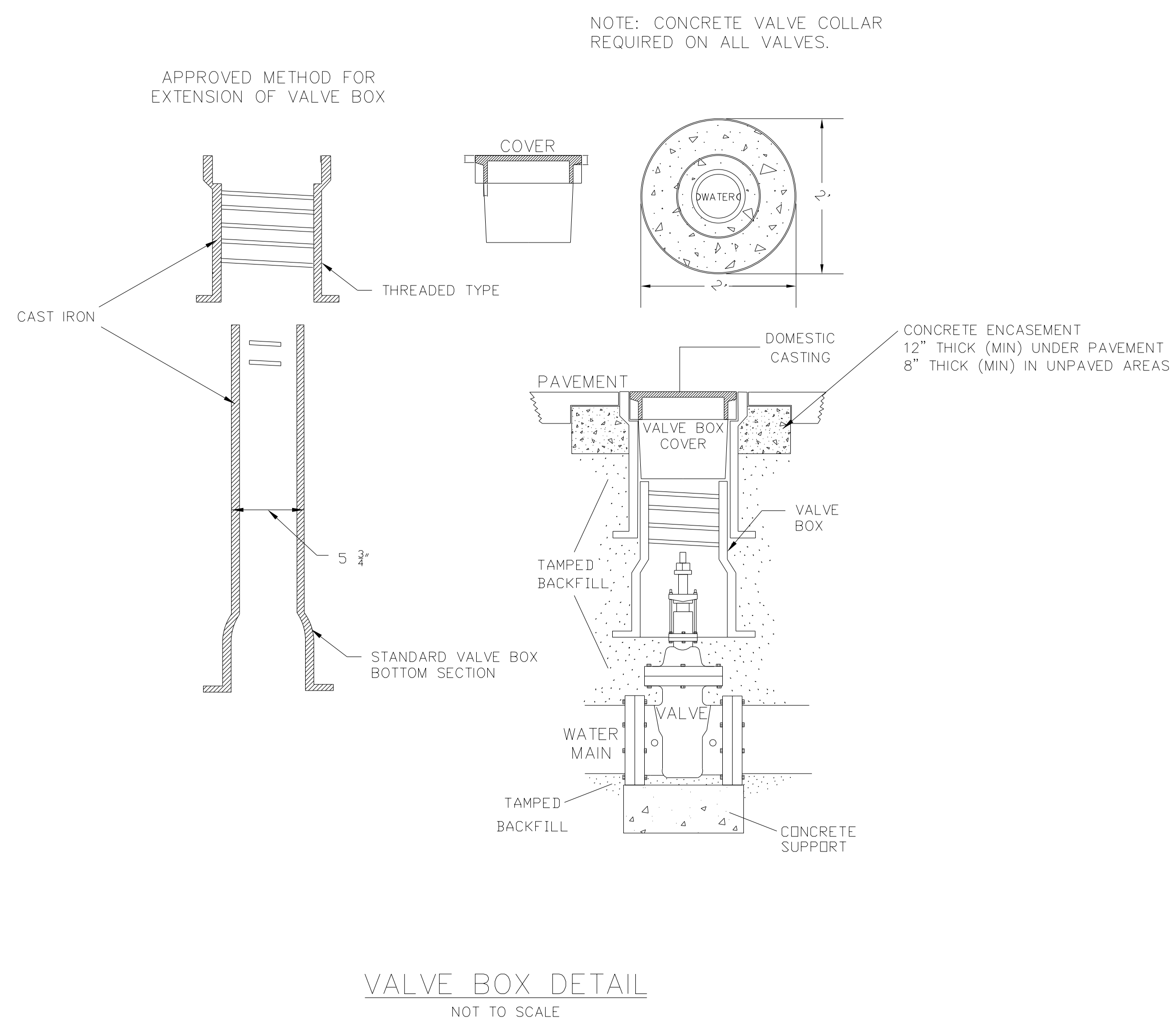
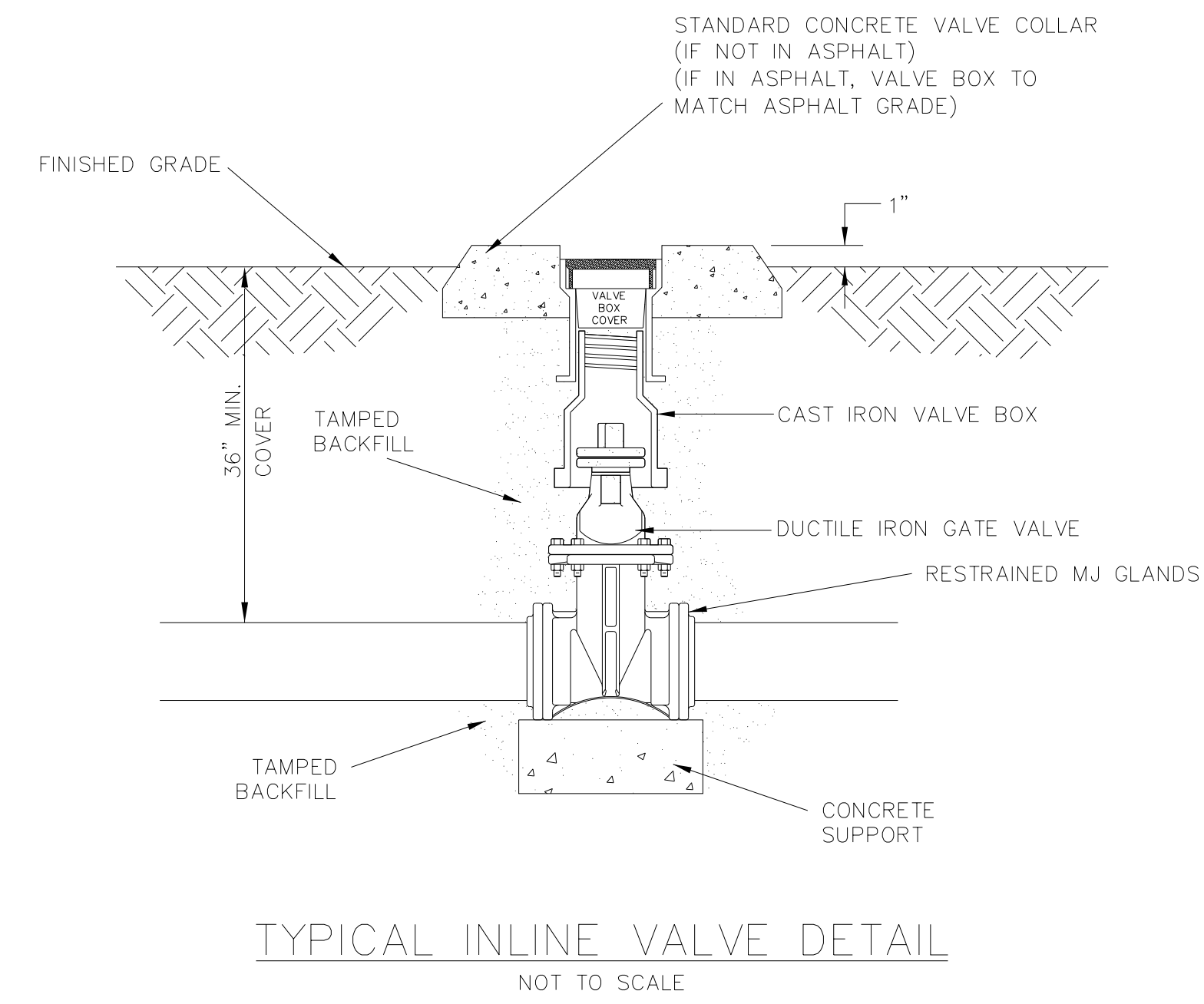


5/14/99

PROJECT TYPICAL DETAILS

PROJECT REFERENCE NO.	SHEET NO.
B-4484	UC-3D
DESIGNED BY: ARV	
DRAWN BY: ARV	
CHECKED BY: RLB	
APPROVED BY:	
REVISED:	
NORTH CAROLINA DEPARTMENT OF TRANSPORTATION	
UTILITIES ENGINEERING SEC. PHONE: (919) 707-6690 FAX: (919) 250-4151	
3/27/2020	
UTILITY CONSTRUCTION PLANS ONLY	

UTILITY CONSTRUCTION



NOTE: CONCRETE VALVE COLLAR REQUIRED ON ALL VALVES.

02-MAR-2020 14:44 R:\Utilities\Engineering\UC\Proj\B4484_UC_details.dgn \$\$\$USERNAME\$\$\$