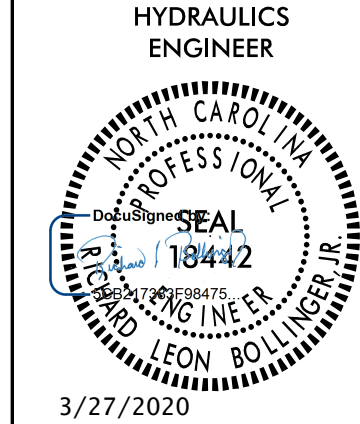
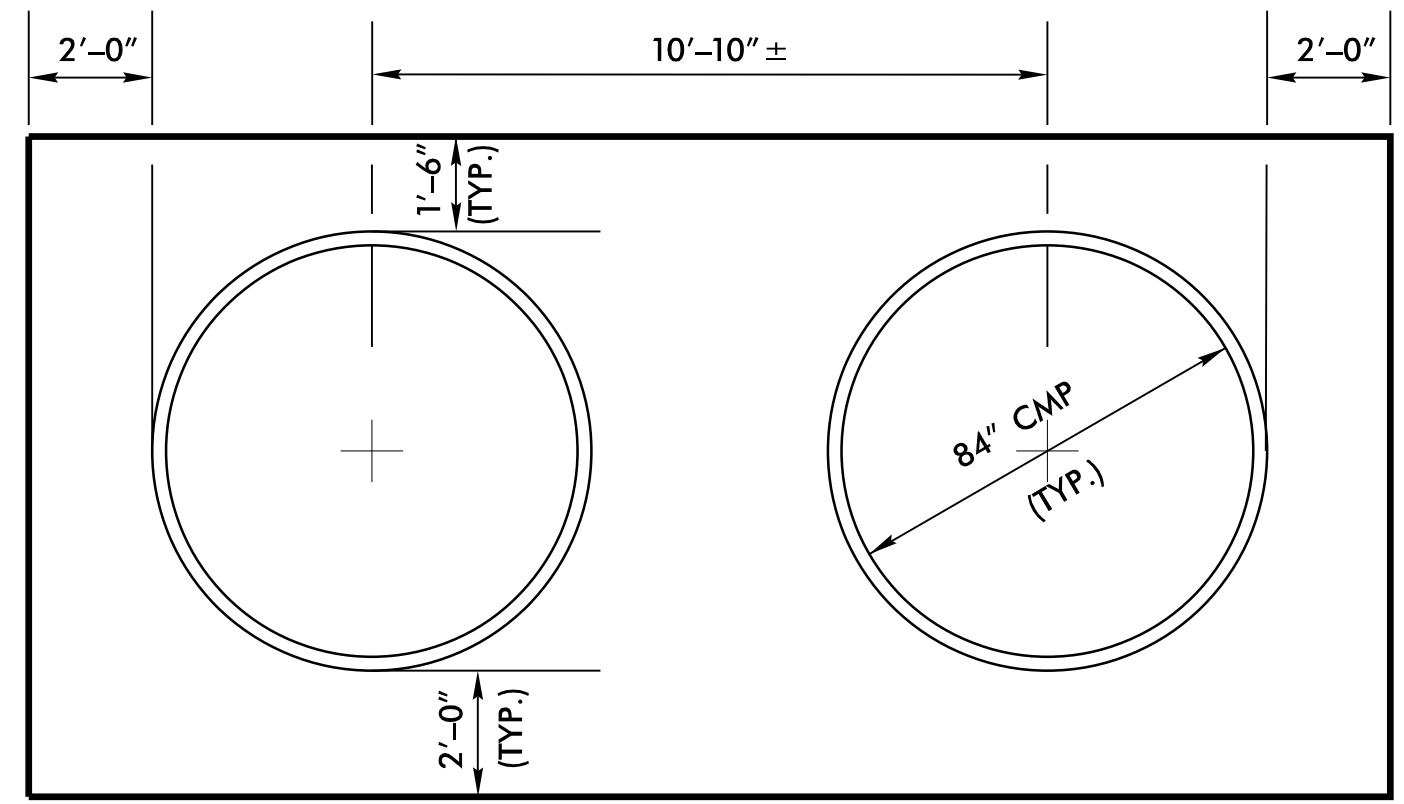
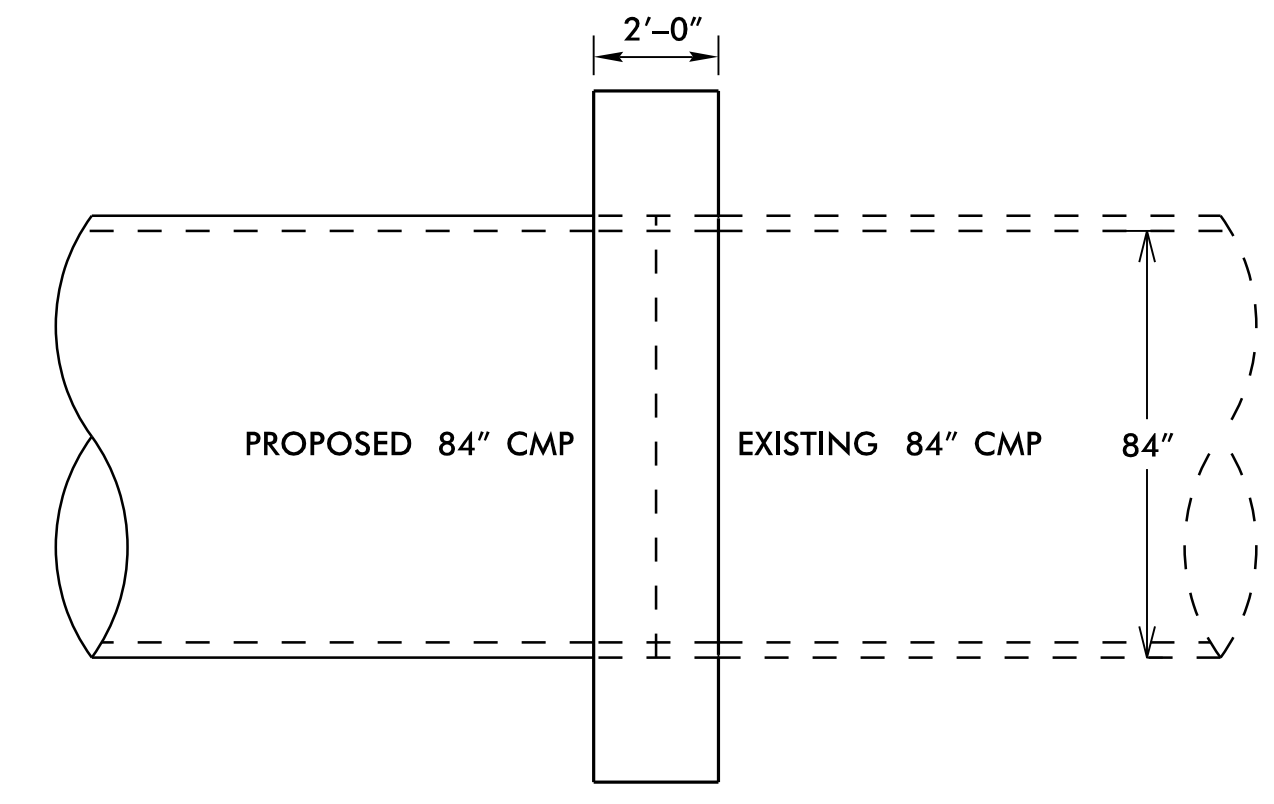


REVISIONS

PROJECT REFERENCE NO. <i>B-4484</i>	SHEET NO. <i>2D-2</i>
RW SHEET NO.	
HYDRAULICS ENGINEER  3/27/2020	
DOCUMENT NOT CONSIDERED FINAL UNLESS ALL SIGNATURES COMPLETED	



ELEVATION



SIDE ELEVATION

D	CU. YD.
84"	4.2790

84" DUAL CMP PIPE COLLAR

GENERAL NOTES:

USE PIPE COLLAR FOR EXTENDING EXISTING DUAL 84" CMP'S AT STA. -L1- 48+84.15.

CONSTRUCT THE PIPE COLLAR WITH CLASS "B" OR BETTER CONCRETE.

OBSERVE ALL REQUIREMENTS OF SECTION 840 OF THE STANDARD SPECIFICATIONS.

TIP NO.: <i>B-4484</i>	COUNTY: <i>CRAVEN</i>
DESIGNED BY: <i>ABN</i>	
CHECKED BY: <i>RLB</i>	DATE: <i>10/14/2019</i>

P:\Projects\2019\B-4484\2D\2D-2.dwg
 10/14/2019 10:00:00 AM
 RLB