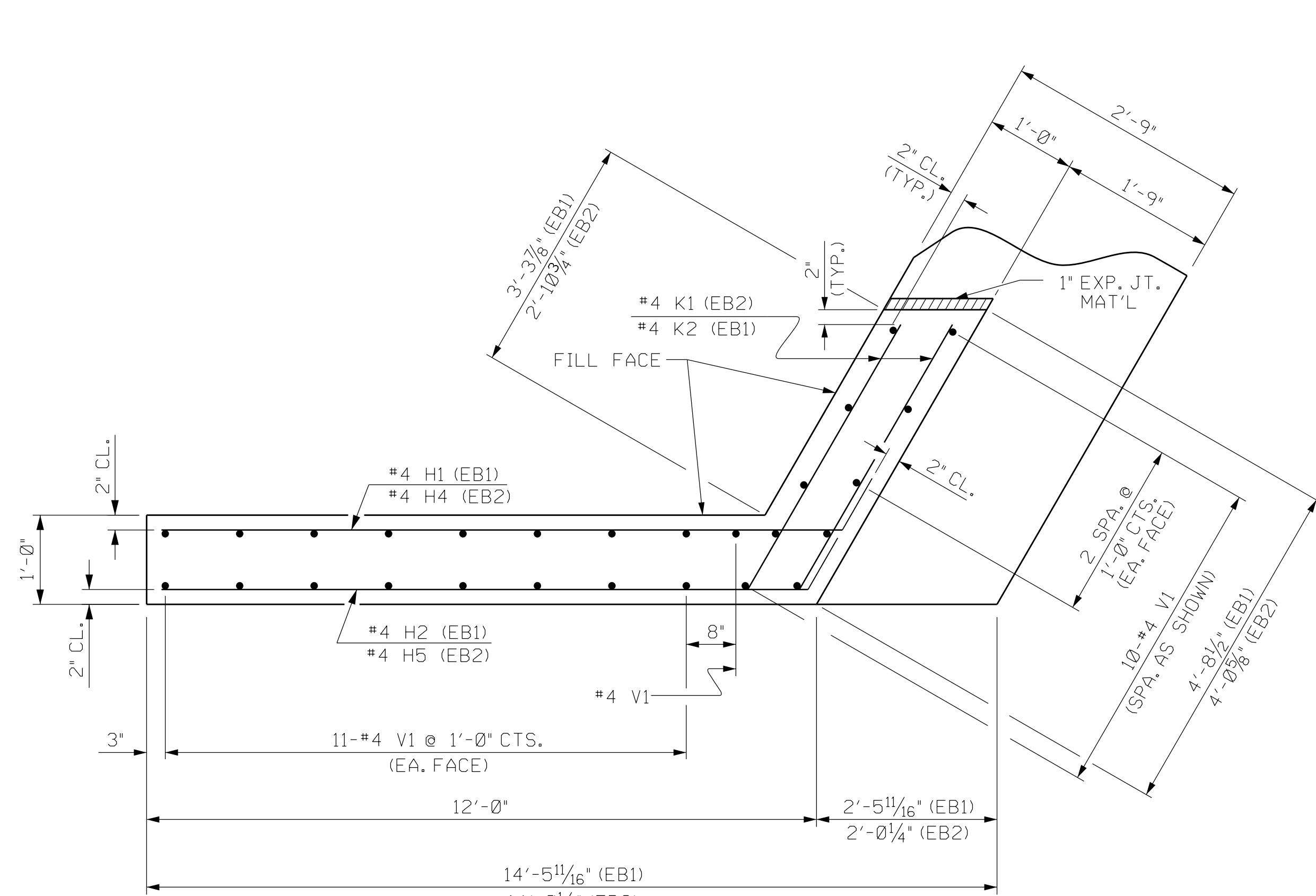
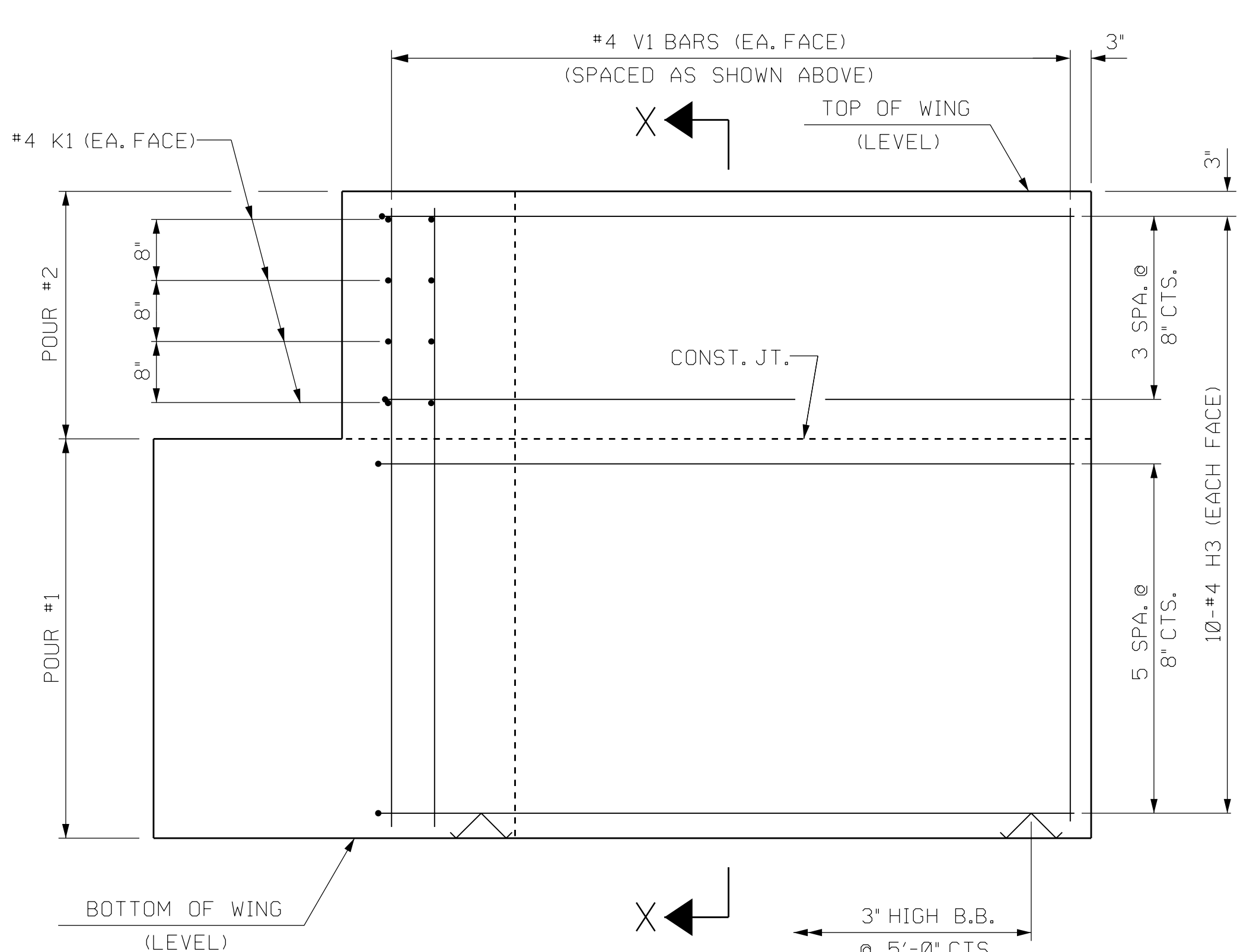


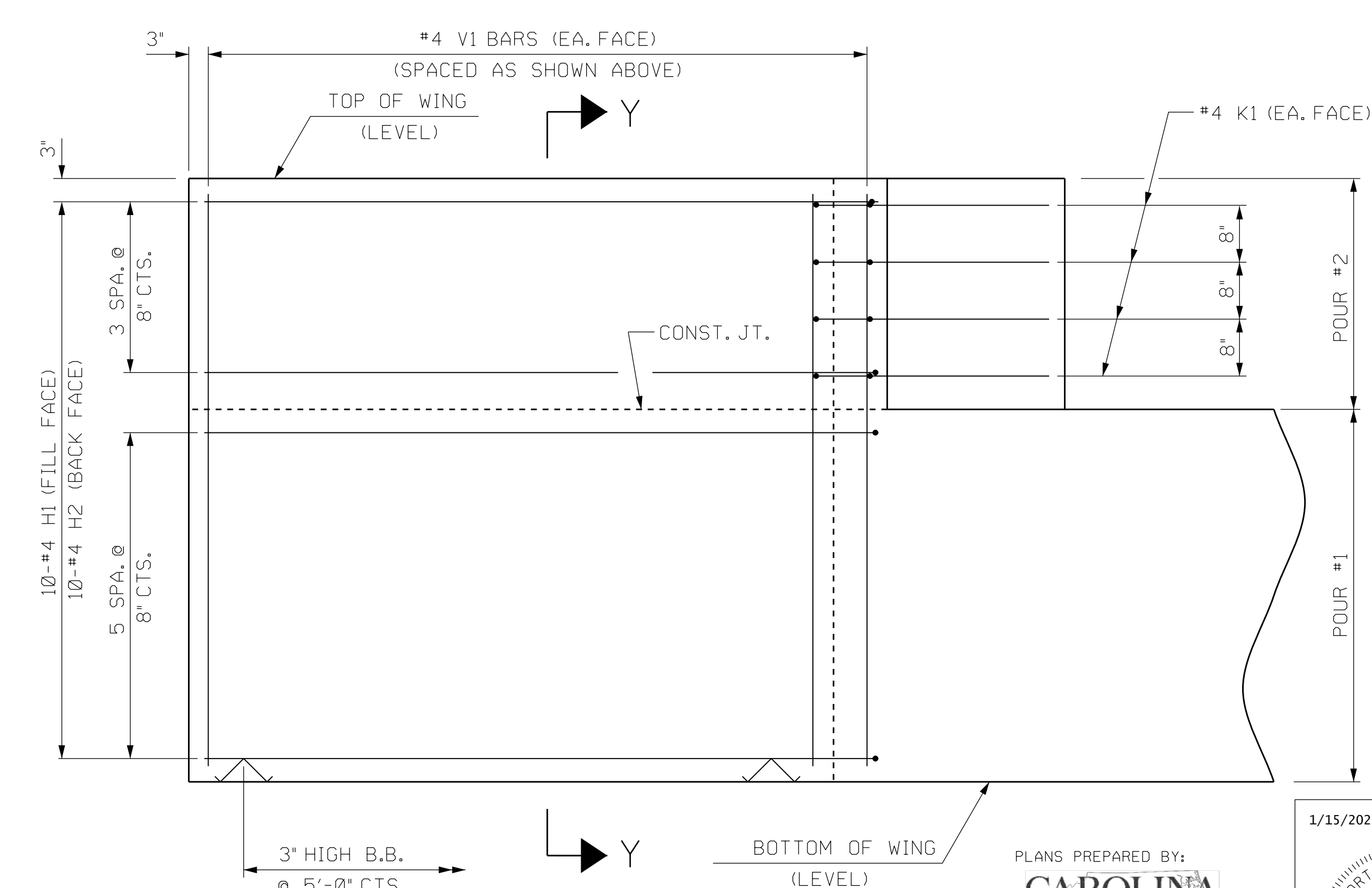
PLAN OF WING (W1)



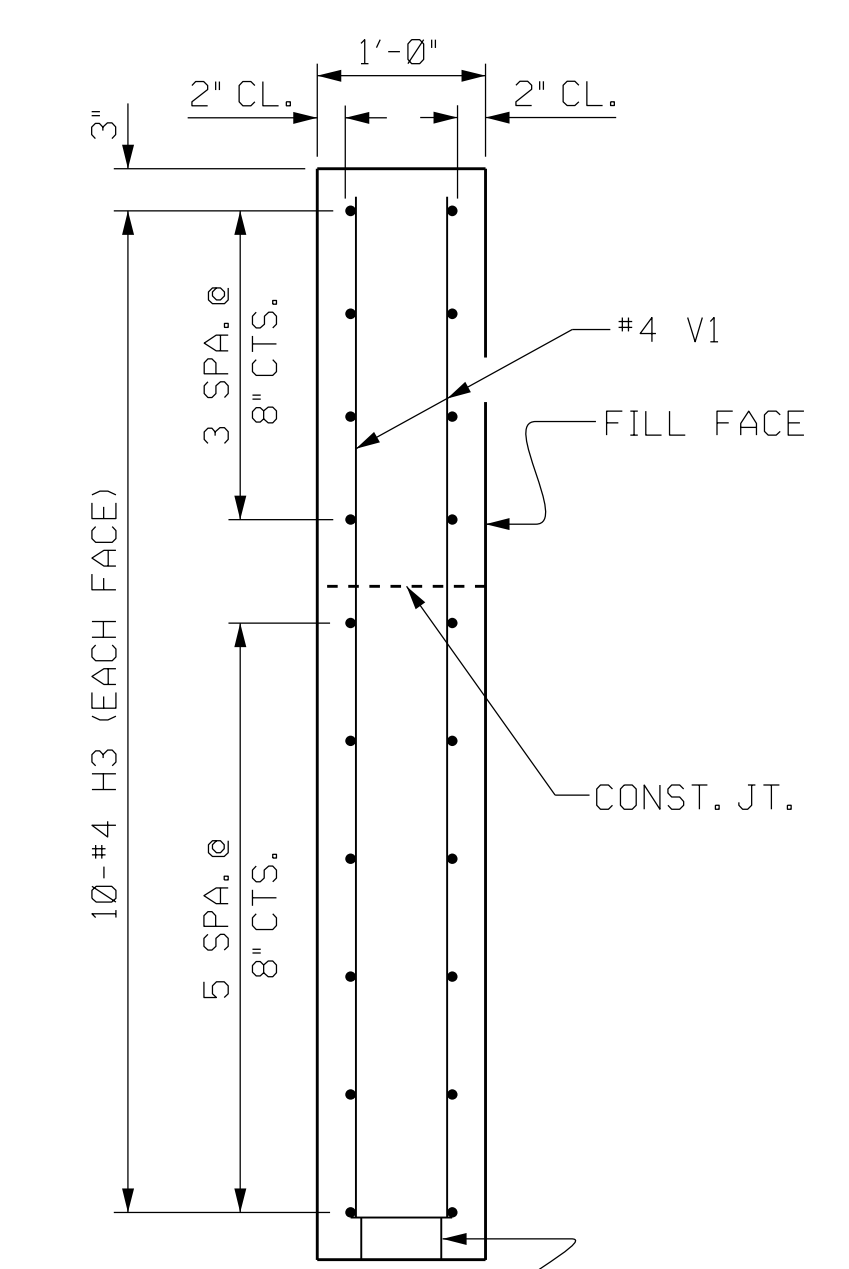
PLAN OF WING (W2)



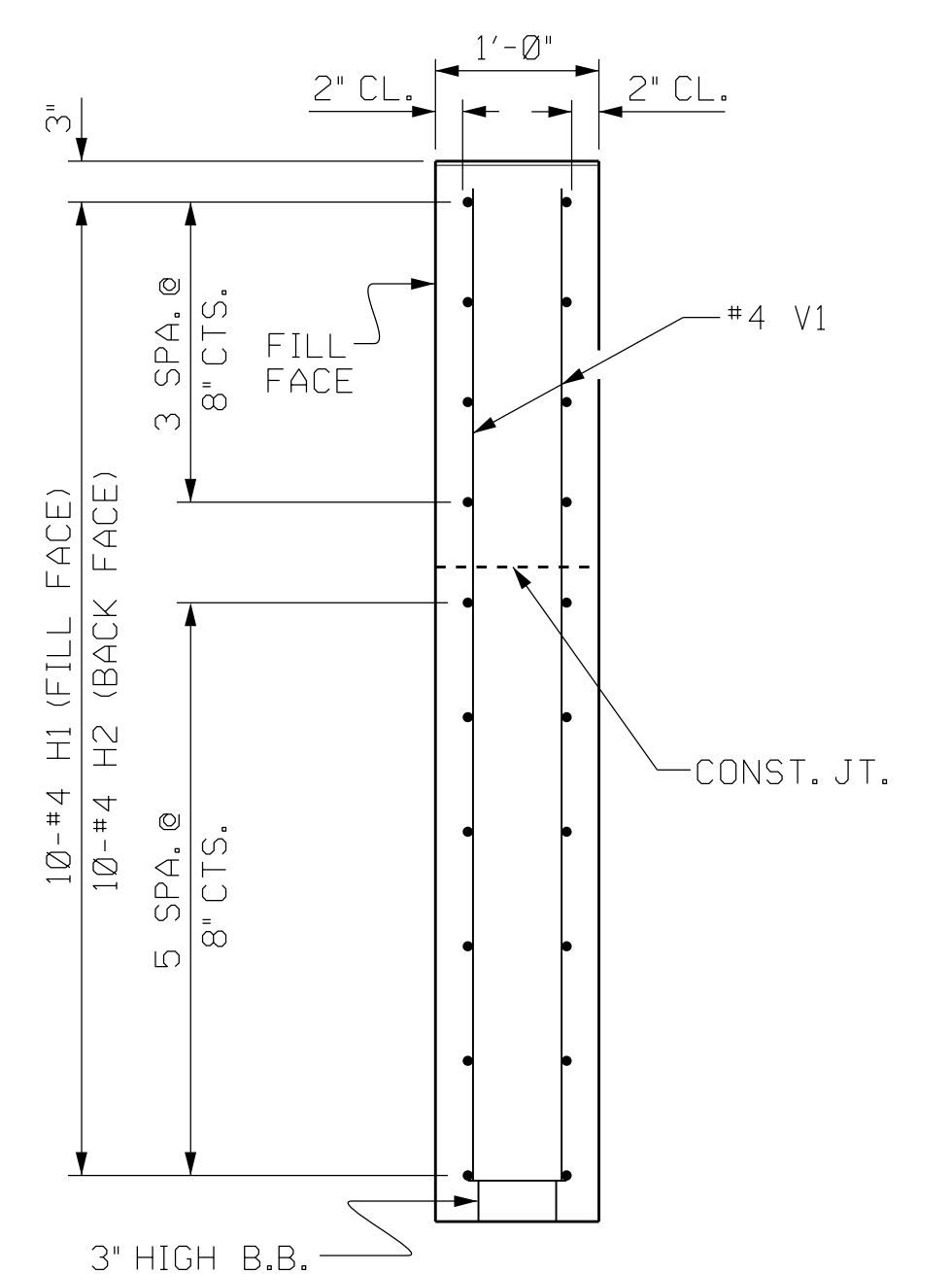
ELEVATION OF WING (W1)



ELEVATION OF WING (W2)



SECTION X-X



SECTION Y-Y

PROJECT NO. BR-0009
 BUNCOMBE COUNTY
 STATION: 12+94.70 -L-

SHEET 3 OF 4

ASSEMBLED BY : J.D. BAKER DATE : 01-20
 CHECKED BY : D.C. STATON DATE : 01-20
 DRAWN BY : WJH 12/11
 CHECKED BY : AAC 12/11 REV. 4/15 MAA/TMG

12-JAN-2021 15:21
 *****DN*****
 Jonathan AT JONATHAN-5590

WING DETAILS

PLANS PREPARED BY:
CAROLINA
 TRANSPORTATION ENGINEERS & ARCHITECTS, PC
 4270 Belle Meade Circle
 Belmont, NC 28012
 (910) 722-5055
 www.carolina-TEA.com
 License No. C-4307

1/15/2021
 NORTH CAROLINA PROFESSIONAL ENGINEER
 SEAL 027292
 DEREK C. STATON
 DocuSigned by:
 Derek Staton

DOCUMENT NOT CONSIDERED FINAL UNLESS ALL SIGNATURES COMPLETED

STATE OF NORTH CAROLINA DEPARTMENT OF TRANSPORTATION RALEIGH					
SUBSTRUCTURE END BENT WING DETAILS					
REVISIONS					
NO.	BY:	DATE:	NO.	BY:	DATE:
1			3		
2			4		
SHEET NO. S-14					TOTAL SHEETS 18