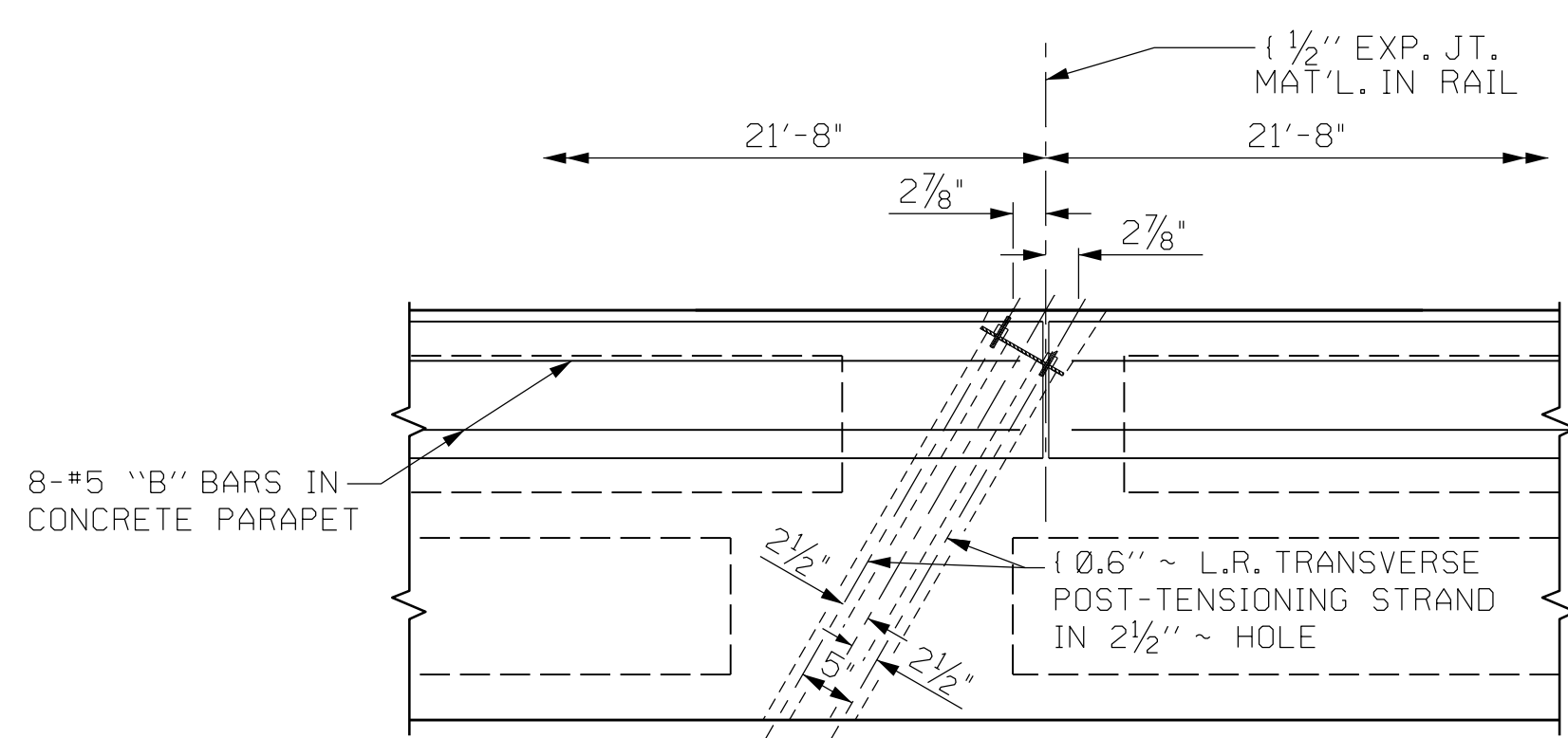
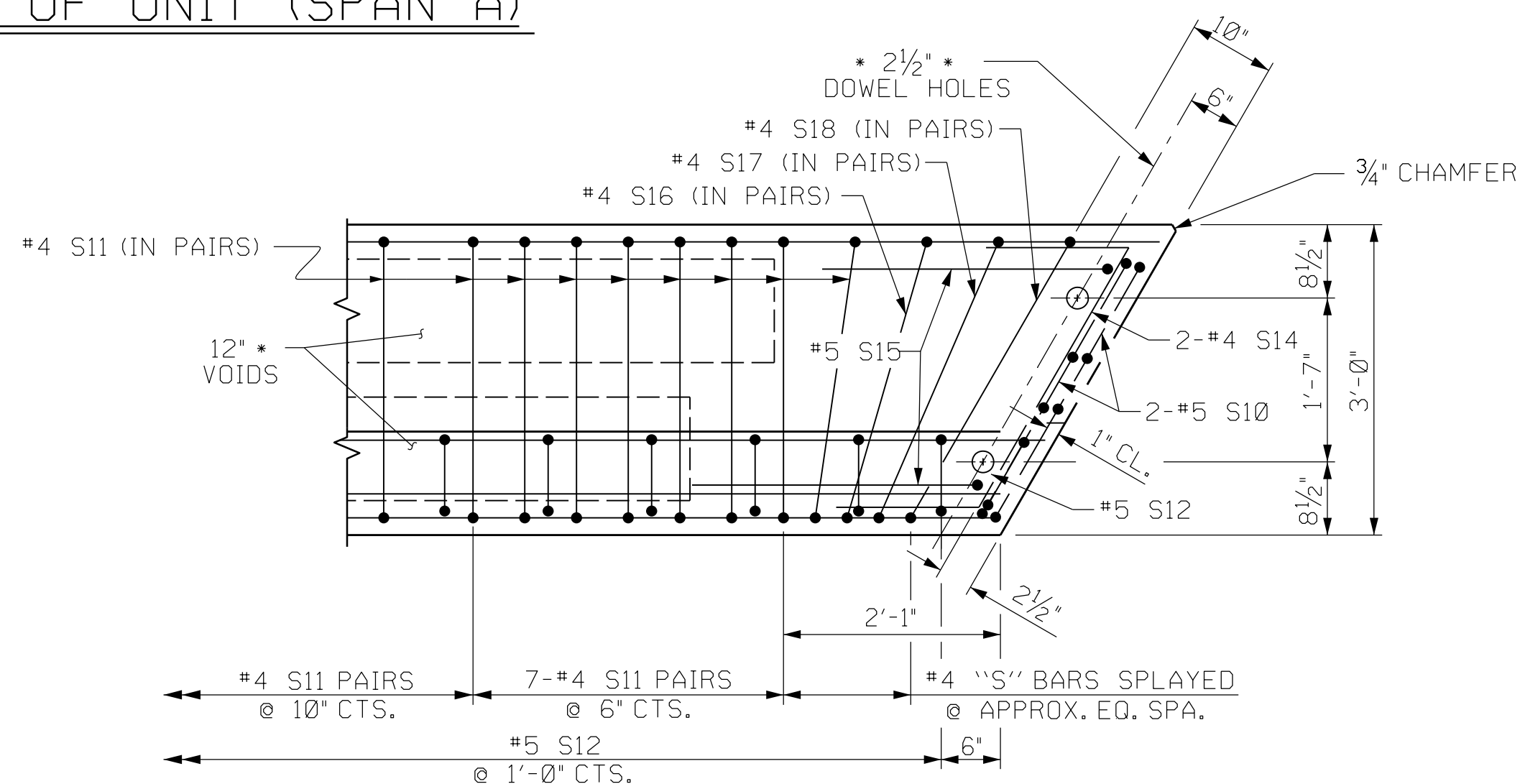


PLAN OF UNIT (SPAN A)



DETAIL "B"

#4 S11 BARS MAY BE SHIFTED AS NECESSARY TO MAINTAIN 1' CLEAR TO GROUDED RECESS AND 2 1/2" ~ TRANSVERSE POST-TENSIONING STRAND HOLES



DETAIL "A"

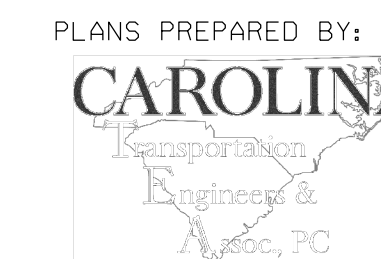
(SIMILAR EACH END OF UNIT)  
NOTE: EXTERIOR UNIT SHOWN - INTERIOR UNIT SIMILAR EXCEPT OMIT #5 S12 BARS.

PROJECT NO. BR-0009  
BUNCOMBE COUNTY  
STATION: 12+94.70 -L-

SHEET 2 OF 4

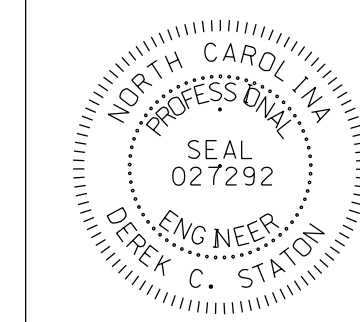
STATE OF NORTH CAROLINA  
DEPARTMENT OF TRANSPORTATION  
RALEIGH

PLAN OF 65' UNIT  
33'-6" CLEAR ROADWAY  
120° SKEW



PLANS PREPARED BY:  
**CAROLINA**  
TRANSPORTATION  
ENGINEERS &  
ASSOCIATES, P.C.  
4270 Belle Meade Circle  
Belmont, NC 28012  
(980) 722-6065  
www.carolina-tea.com  
License No. C-4307

1/15/2021



DocuSigned by:  
Derek Staton  
073431954F7462

DOCUMENT NOT CONSIDERED  
FINAL UNLESS ALL  
SIGNATURES COMPLETED

REVISIONS						SHEET NO.
NO.	BY:	DATE:	NO.	BY:	DATE:	S-5
1			3			TOTAL SHEETS
2			4			18

ASSEMBLED BY :	J.D. BAKER	DATE :	01-20
CHECKED BY :	D.C. STATON	DATE :	01-20
DRAWN BY :	MAA 6/10	REV. 12/5/11	MAA/AC
CHECKED BY :	MKT 7/10	REV. 8/14	MAA/TMS