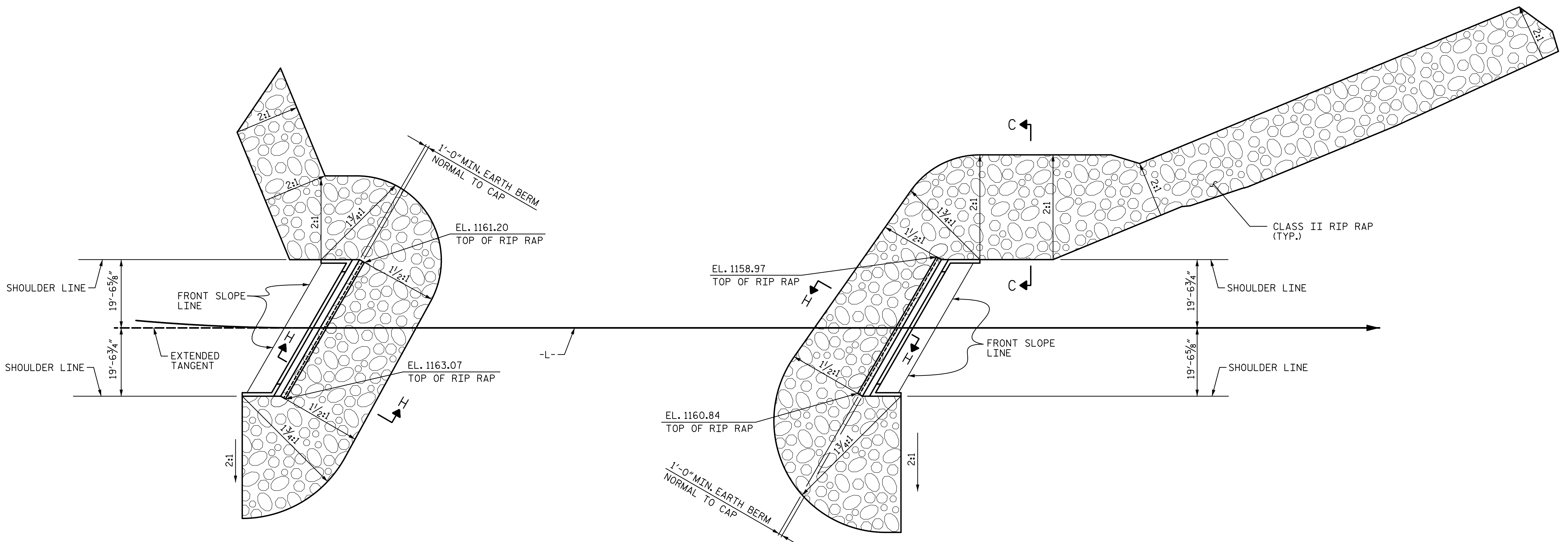
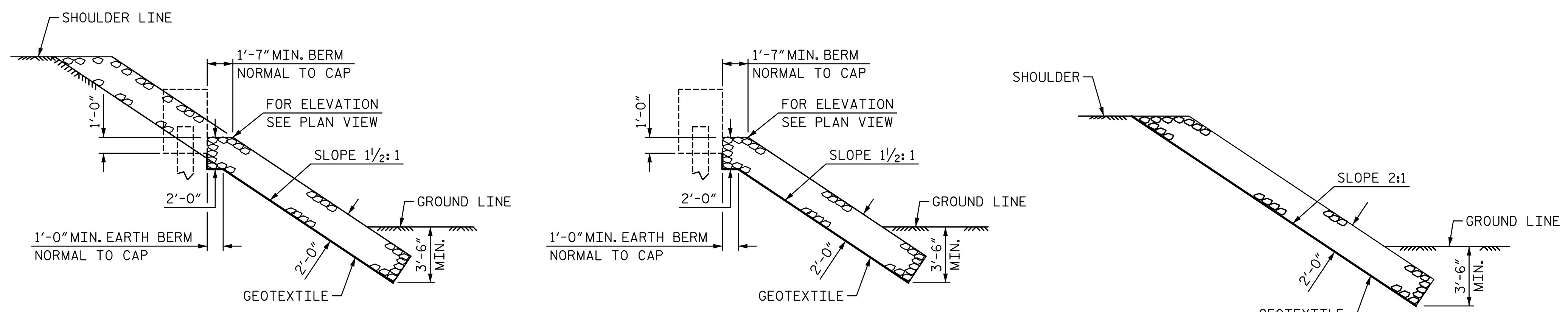


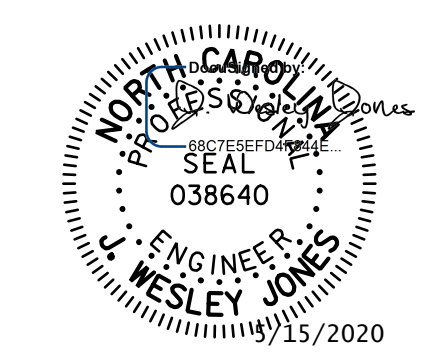
R:\Structures\ustation\Finals\401_043_BR-0125_SML_PRR_022_960663.dgn 5/4/2020 3:12:30 PM Jones



ESTIMATED QUANTITIES		
BRIDGE @ STA. 15+36.00 -L-	RIP RAP CLASS II (2'-0" THICK)	GEOTEXTILE FOR DRAINAGE
	TONS	SQUARE YARDS
END BENT 1	470	525
END BENT 2	830	925



PROJECT NO. BR-0125
WILKES COUNTY
 STATION: 15+36.00 -L-



STV 100 YEARS
 STV ENGINEERS, INC.
 900 West Trade St., Suite 715
 Charlotte, NC 28202
 NC License Number F-0991

DOCUMENT NOT CONSIDERED FINAL UNLESS ALL SIGNATURES COMPLETED

STATE OF NORTH CAROLINA DEPARTMENT OF TRANSPORTATION RALEIGH				
RIP RAP DETAILS				
REVISIONS				SHEET NO.
NO.	BY:	DATE:	NO.	DATE:
1			3	
2			4	
				S-22
				TOTAL SHEETS 23

DRAWN BY : WAW DATE : 10-19
 CHECKED BY : JWJ DATE : 01-20
 DESIGN ENGINEER OF RECORD : JWJ DATE : 04-20