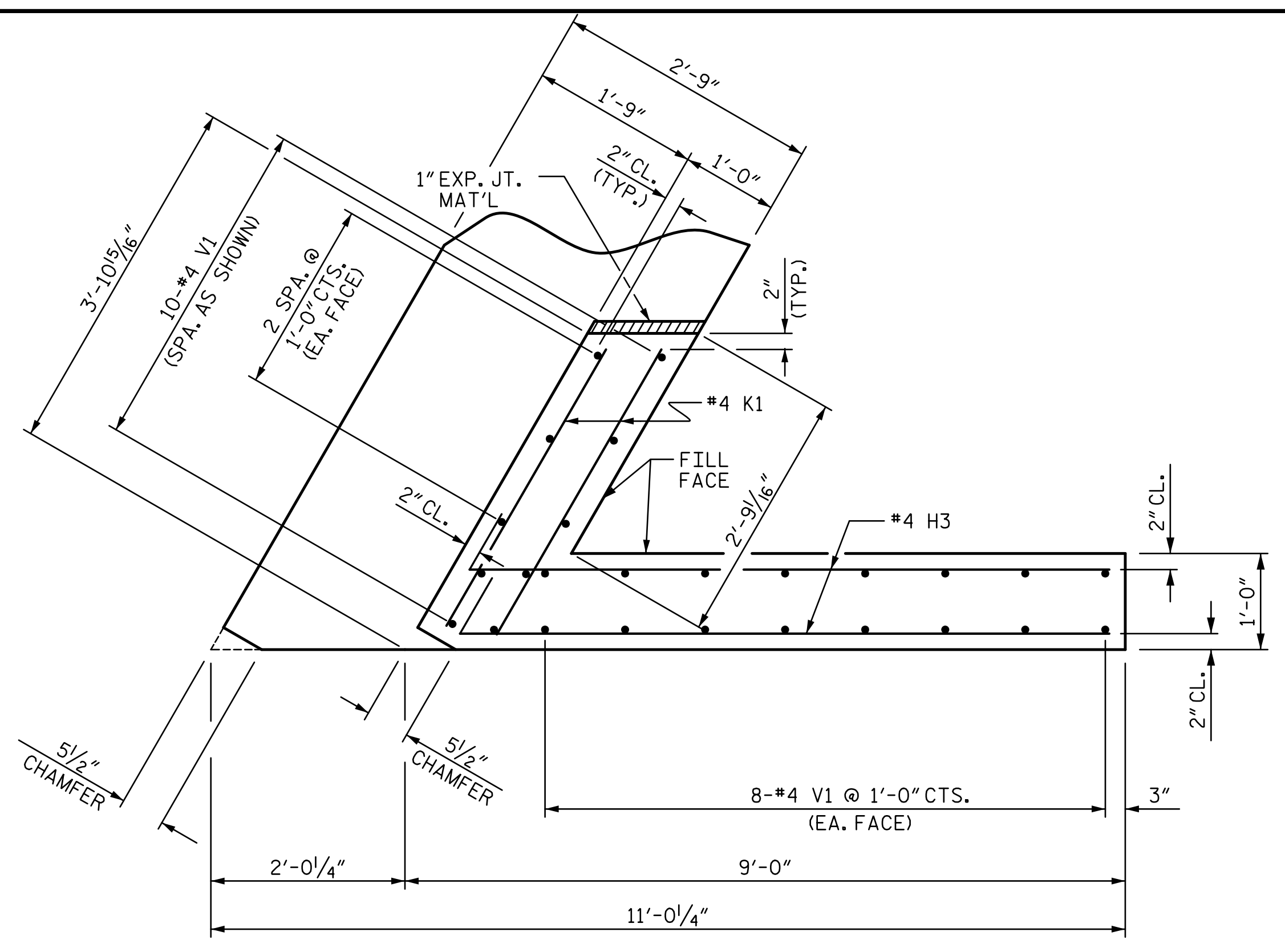
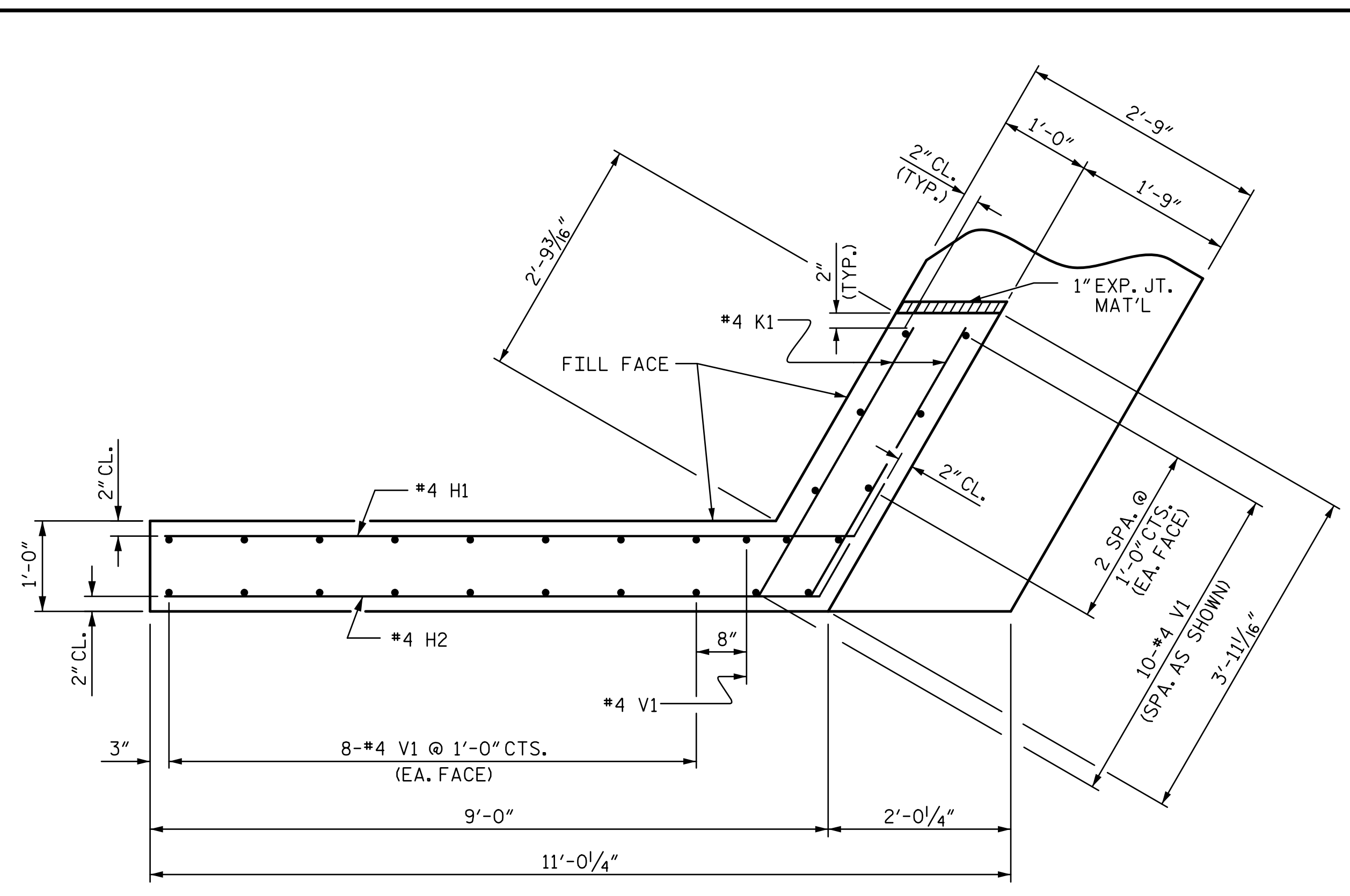


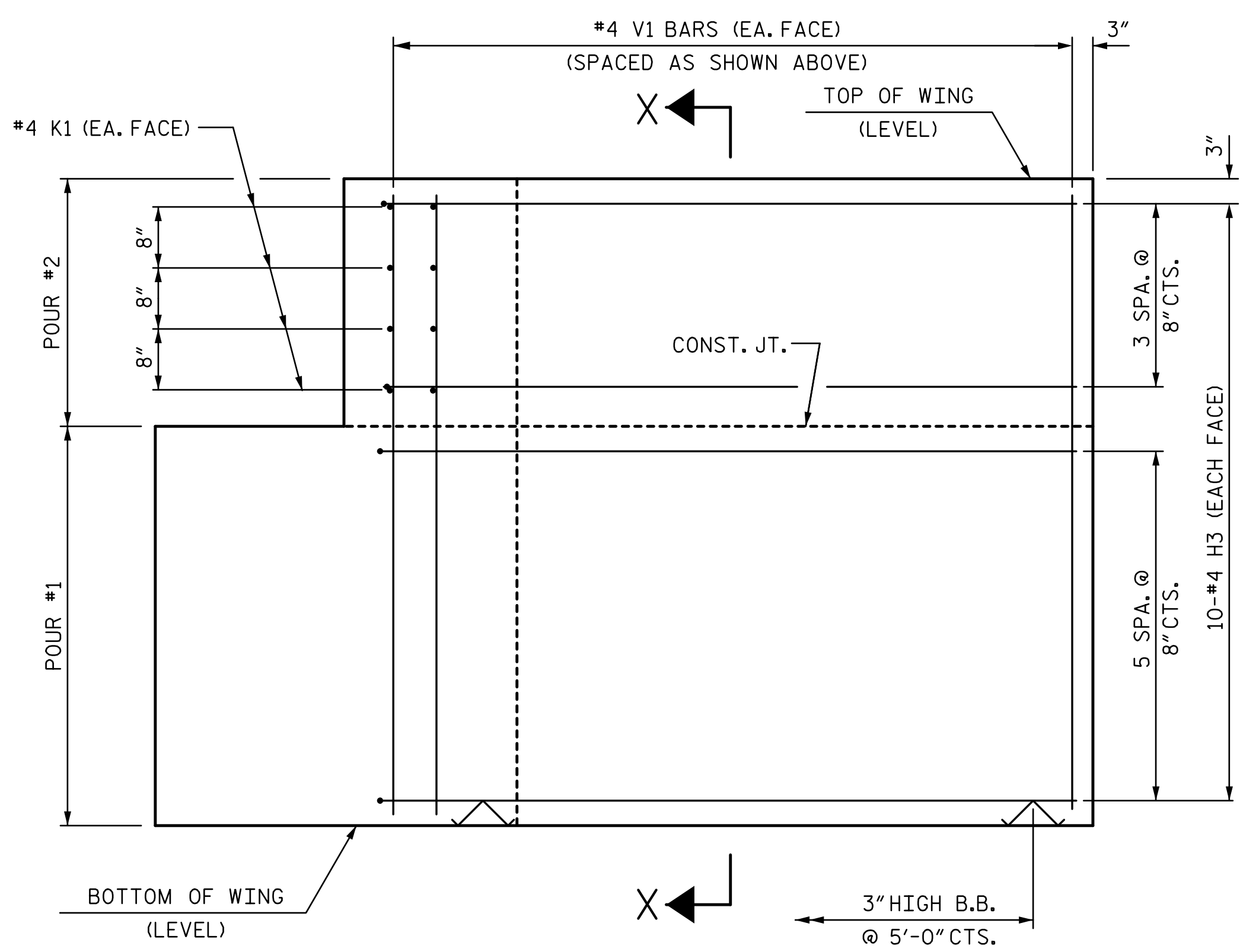
R:\Structures\ustation\Finals\40L03LBR-0125_SMU.E3.016_960663.dgn 5/4/2020 3:12:20 PM Jones



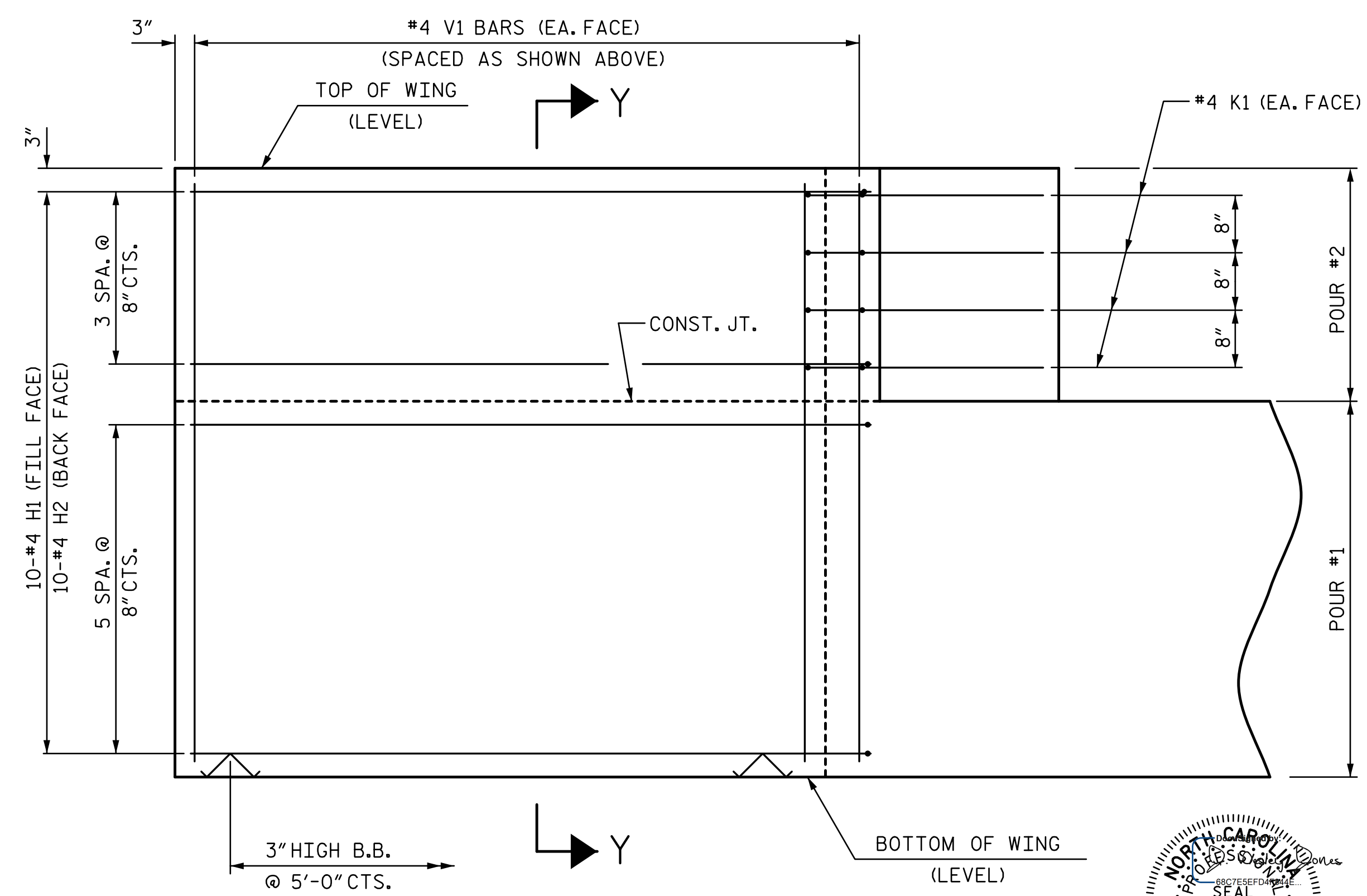
PLAN OF WING (W1)



PLAN OF WING (W2)

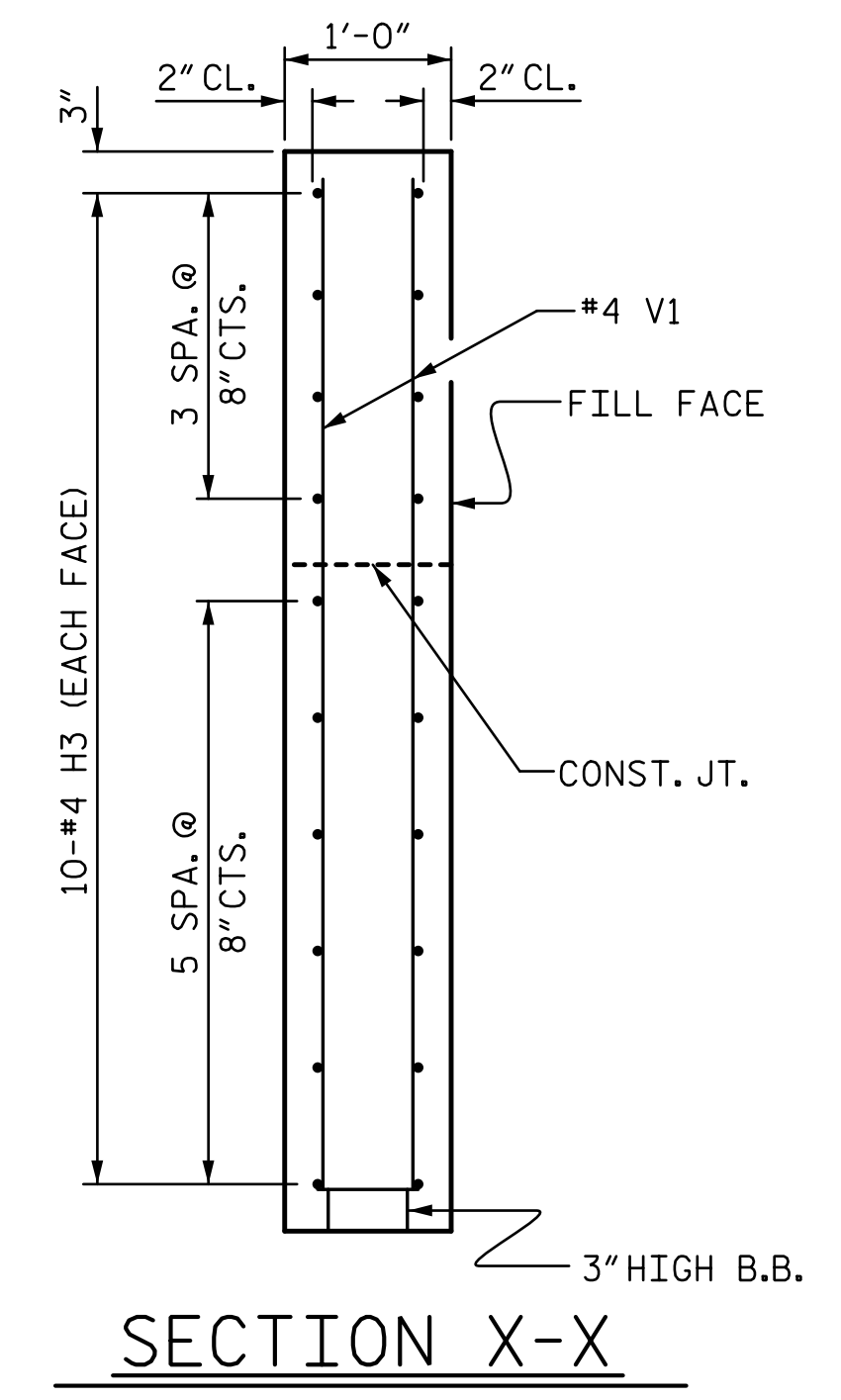


ELEVATION OF WING (W1)

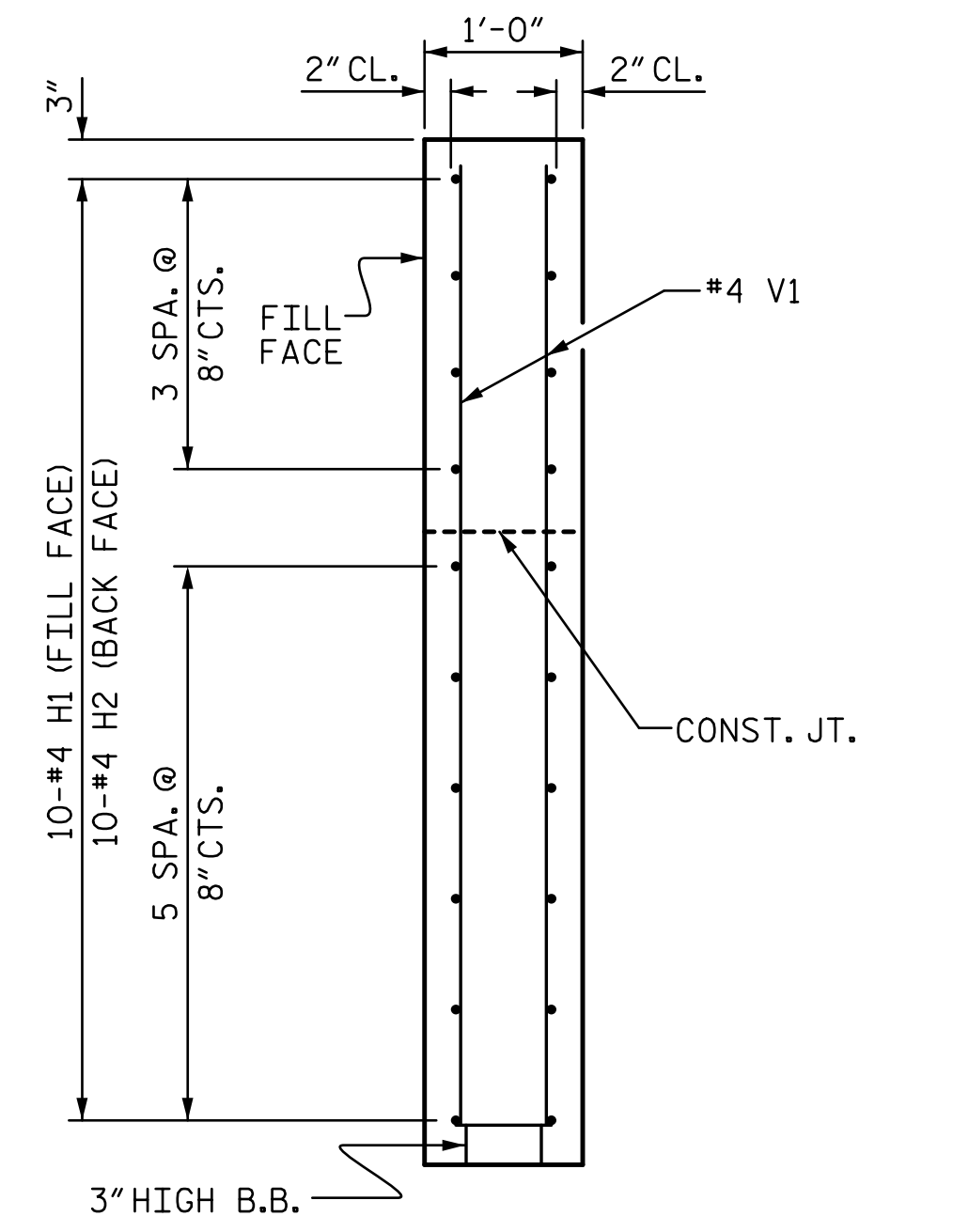


ELEVATION OF WING (W2)

WING DETAILS



SECTION X-X



SECTION Y-Y

PROJECT NO. BR-0125
WILKES COUNTY
 STATION: 15+36.00 -L-

SHEET 3 OF 4

STATE OF NORTH CAROLINA
 DEPARTMENT OF TRANSPORTATION
 RALEIGH

SUBSTRUCTURE
 END BENT
 WING DETAILS

DRAWN BY : WAW	DATE : 10-19
CHECKED BY : JWJ	DATE : 02-20
DESIGN ENGINEER OF RECORD : JWJ	DATE : 04-20
DRAWN BY : WJH 12/11	REV. 4/15
CHECKED BY : AAC 12/11	MAA/TMG

STV 100 YEARS
 STV ENGINEERS, INC.
 900 West Trade St., Suite 715
 Charlotte, NC 28202
 NC License Number F-0991

DOCUMENT NOT CONSIDERED FINAL UNLESS ALL SIGNATURES COMPLETED

REVISIONS					SHEET NO.
NO.	BY:	DATE:	NO.	BY:	DATE:
1			3		
2			4		

S-16
TOTAL SHEETS 23