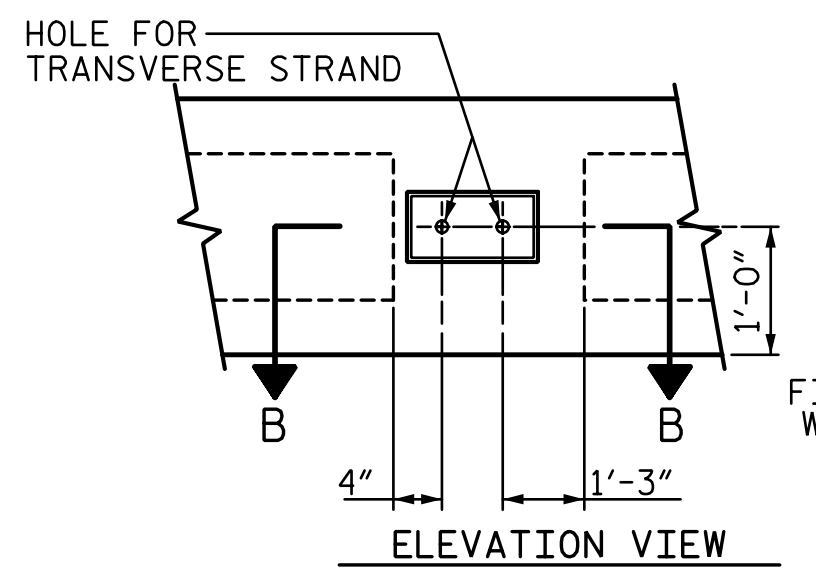
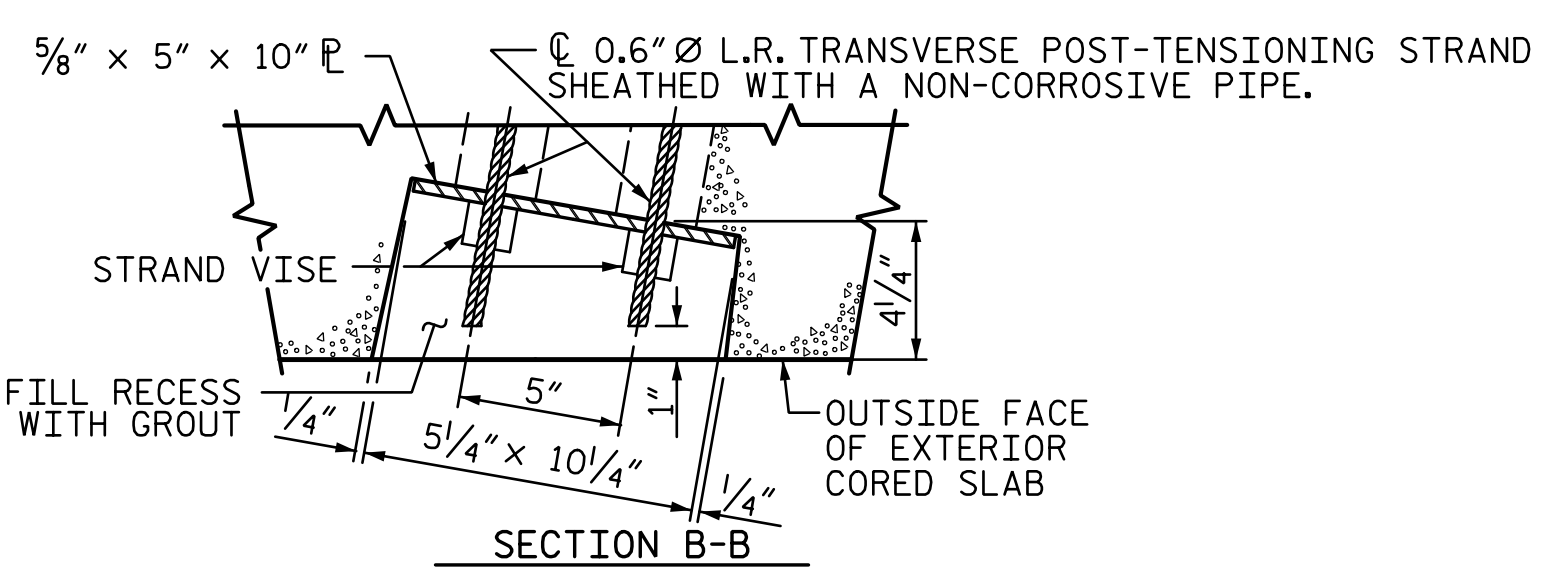


HALF SECTION AT INTERMEDIATE DIAPHRAGMS
TYPICAL SECTION
 HALF SECTION THROUGH VOIDS

* - THE MAXIMUM BARRIER RAIL HEIGHT AND ASPHALT THICKNESS IS SHOWN. THE HEIGHT OF THE BARRIER RAIL AND ASPHALT THICKNESS VARIES WHILE THE TOP OF THE BARRIER RAIL FOLLOWS THE PROFILE OF THE GUTTERLINE. FOR RAIL HEIGHT DETAILS AND ASPHALT THICKNESS, SEE THE "VERTICAL CONCRETE BARRIER RAIL SECTION" DETAIL.



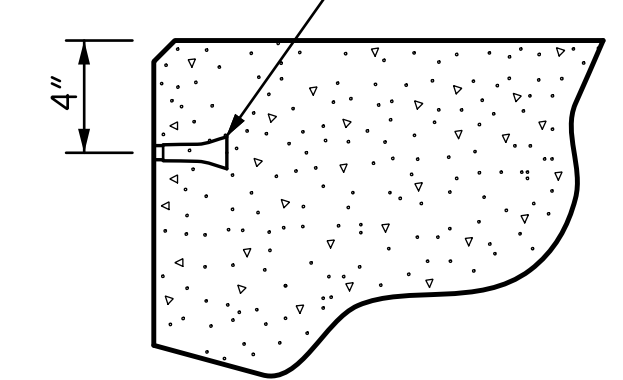
ELEVATION VIEW



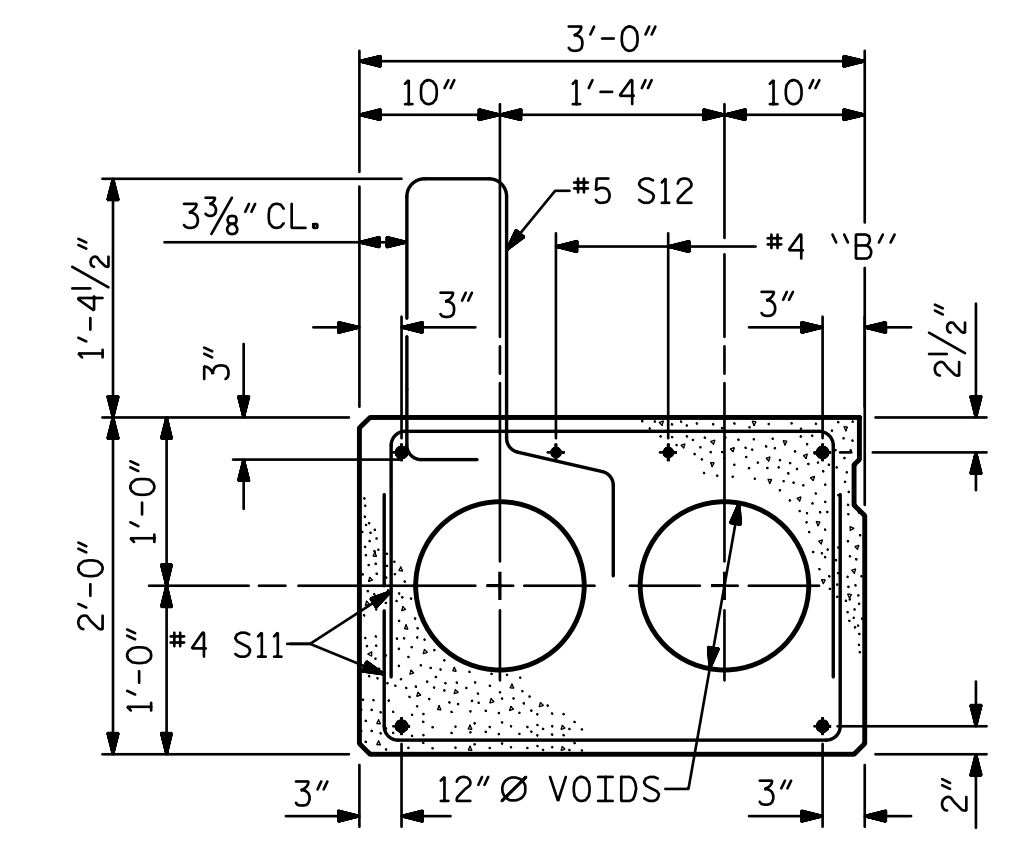
SECTION B-B

GRAUTED RECESS AT END OF POST-TENSIONED STRAND-CORED SLABS

PERMITTED THREADED INSERT CAST IN OUTSIDE FACE OF EXTERIOR UNIT AND RECESSED 3/8" SIZE TO BE DETERMINED BY CONTRACTOR.

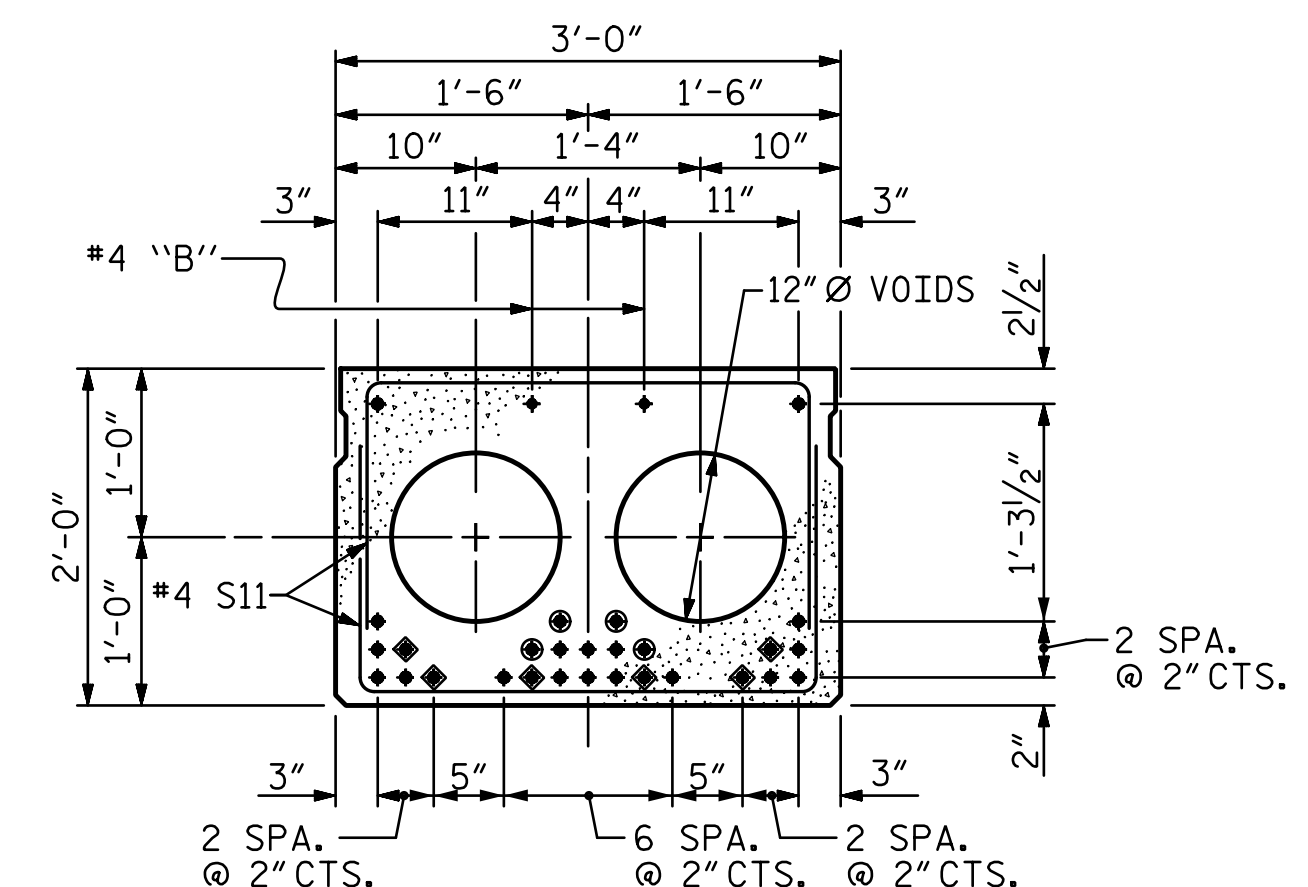


THREADED INSERT DETAIL



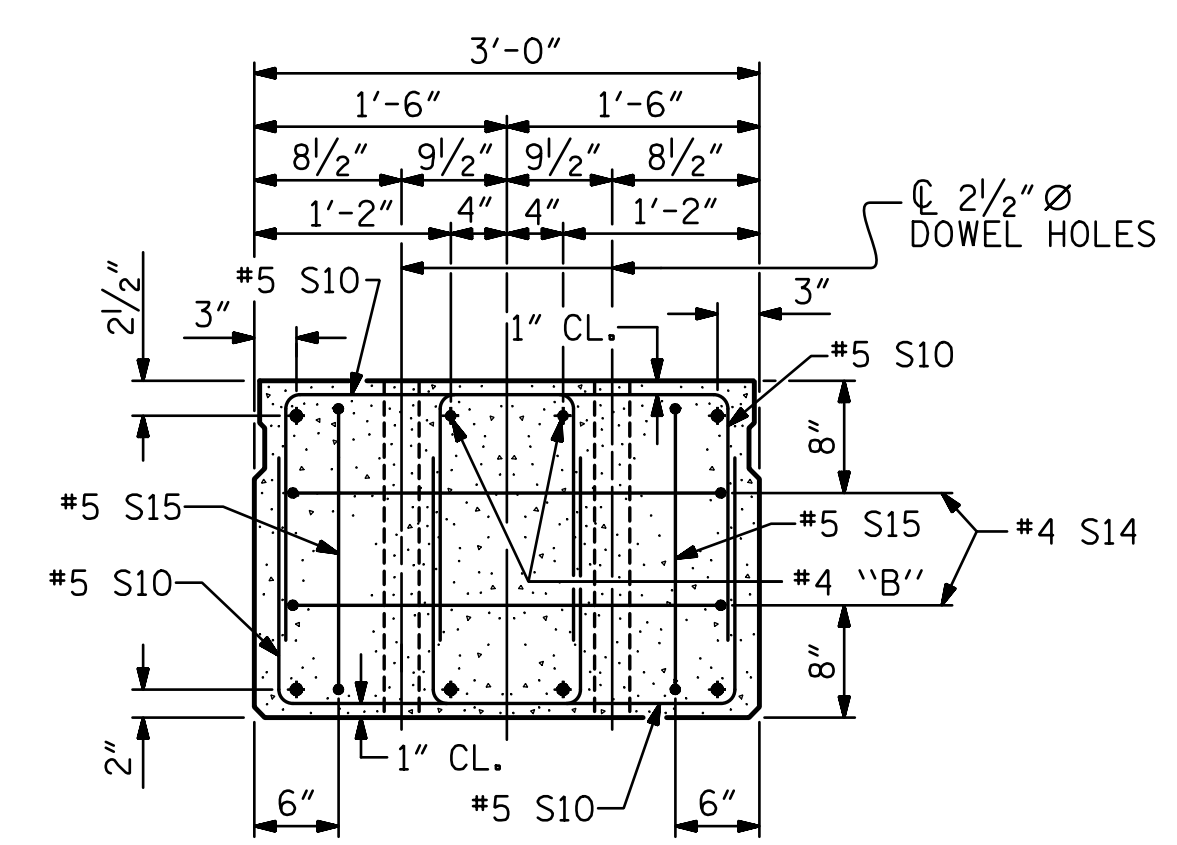
EXTERIOR SLAB SECTION

(FOR PRESTRESSED STRAND LAYOUT, SEE INTERIOR SLAB SECTION.)



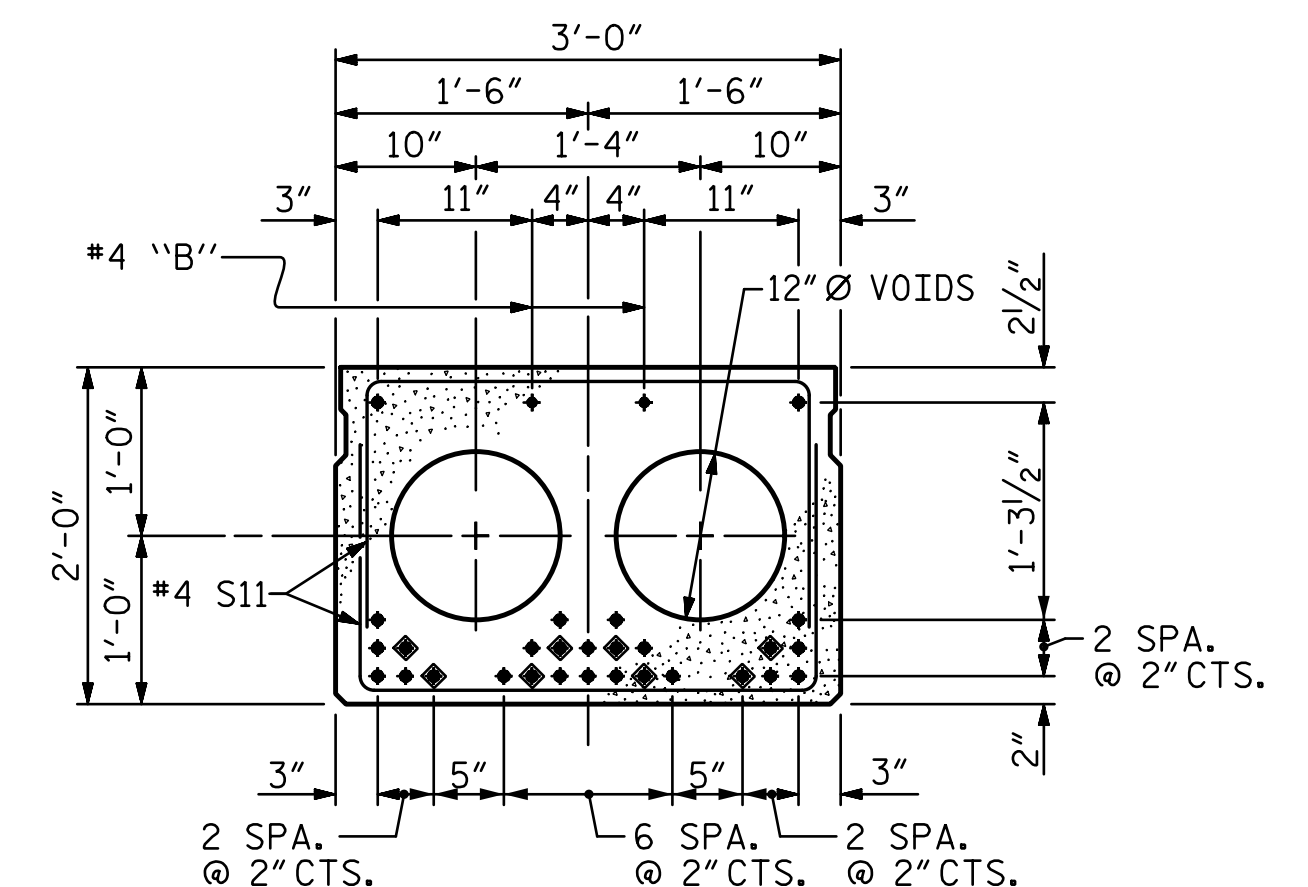
INTERIOR SLAB SECTION (60' UNIT)

(24 STRANDS REQUIRED)



END ELEVATION

SHOWING PLACEMENT OF DOUBLE STIRRUPS AND LOCATION OF DOWEL HOLES. (STRAND LAYOUT NOT SHOWN.) INTERIOR SLAB UNIT SHOWN-EXTERIOR SLAB UNIT SIMILAR EXCEPT SHEAR KEY LOCATION.



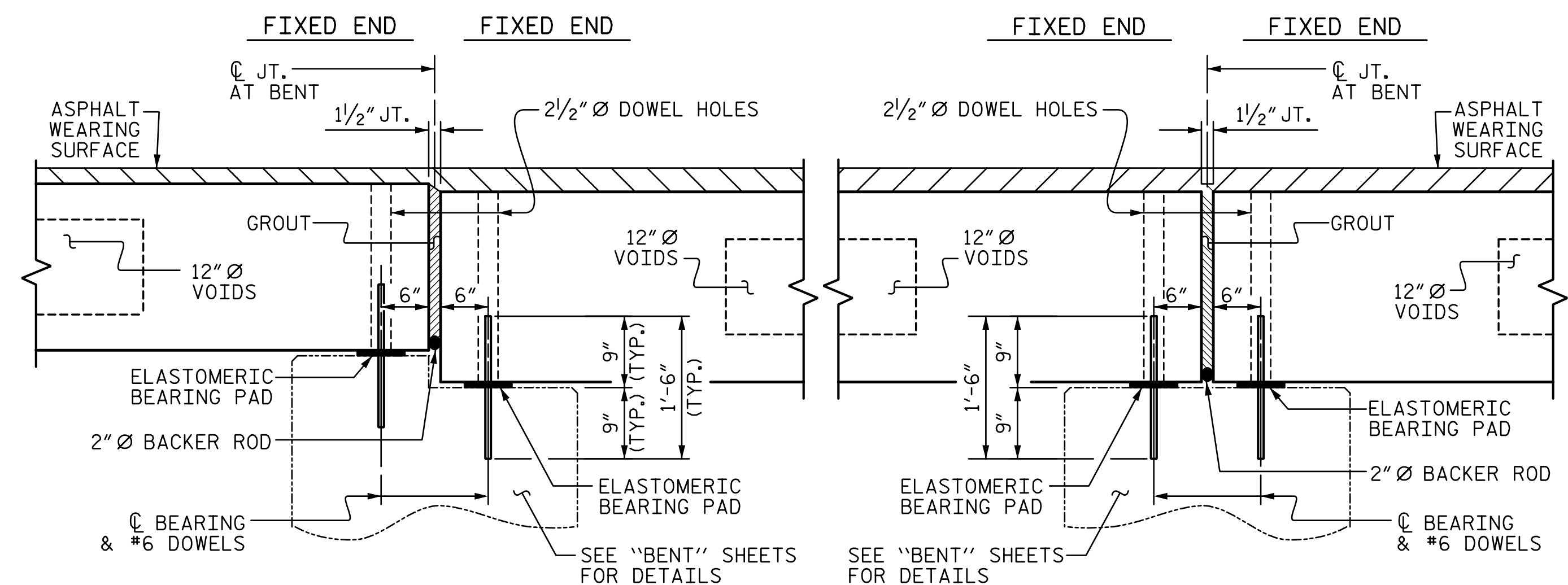
INTERIOR SLAB SECTION (70' UNIT)

(28 STRANDS REQUIRED)

RELAXATION STRAND LAYOUT

- ◆ BOND SHALL BE BROKEN ON THESE STRANDS FOR A DISTANCE OF 12'-0" FROM END OF CORED SLAB UNIT. SEE STANDARD SPECIFICATIONS, ARTICLE 1078-7.
- OPTIONAL FULL LENGTH DEBONDED STRANDS. THESE STRANDS ARE NOT REQUIRED. IF THE FABRICATOR CHOOSES TO INCLUDE THESE STRANDS IN THE CORED SLAB UNIT, THE STRANDS SHALL BE DEBONDED FOR THE FULL LENGTH OF THE UNIT AT NO ADDITIONAL COST. SEE STANDARD SPECIFICATIONS, ARTICLE 1078-7.

DEBONDING LEGEND

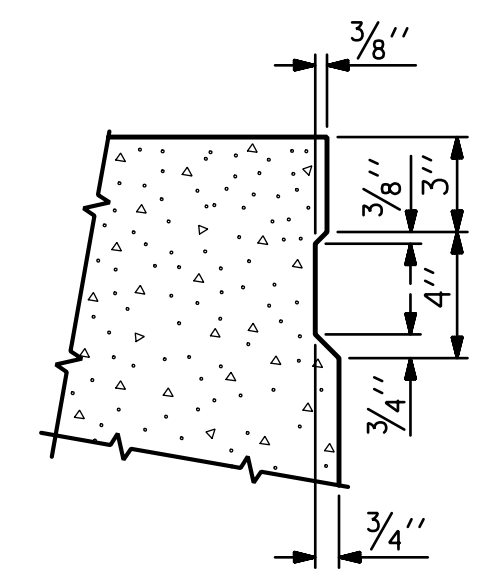


SECTION AT BENT 1

SECTION AT BENT 2

SECTION AT END BENT 2

FIXED END



SHEAR KEY DETAIL

NOTE: OMIT SHEAR KEY ON OUTSIDE FACE OF EXTERIOR CORED SLABS.

R:\Structures\ustation\Finals\401_017_BR-0125_SML_C54_009_960663.dgn 3:42:07 PM 5/4/2020

DRAWN BY :	WAW	DATE :	10-19
CHECKED BY :	JWJ	DATE :	11-19
DESIGN ENGINEER OF RECORD :	JWJ	DATE :	04-20
DRAWN BY :	MAA 6/10	REV. 9/14	MAA/TMG
CHECKED BY :	MKT 7/10		

STV 100 YEARS
 STV ENGINEERS, INC.
 900 West Trade St., Suite 715
 Charlotte, NC 28202
 NC License Number F-0991

DOCUMENT NOT CONSIDERED FINAL UNLESS ALL SIGNATURES COMPLETED

PROJECT NO. **BR-0125**
WILKES COUNTY
 STATION: **15+36.00 -L-**
 SHEET 1 OF 4

STATE OF NORTH CAROLINA DEPARTMENT OF TRANSPORTATION RALEIGH				SHEET NO.
STANDARD 3'-0" X 2'-0" PRESTRESSED CONCRETE CORED SLAB UNIT (SPANS B & C)				S-9
REVISIONS				TOTAL SHEETS
NO.	BY:	DATE:	NO.	DATE:
1			3	
2			4	
				23