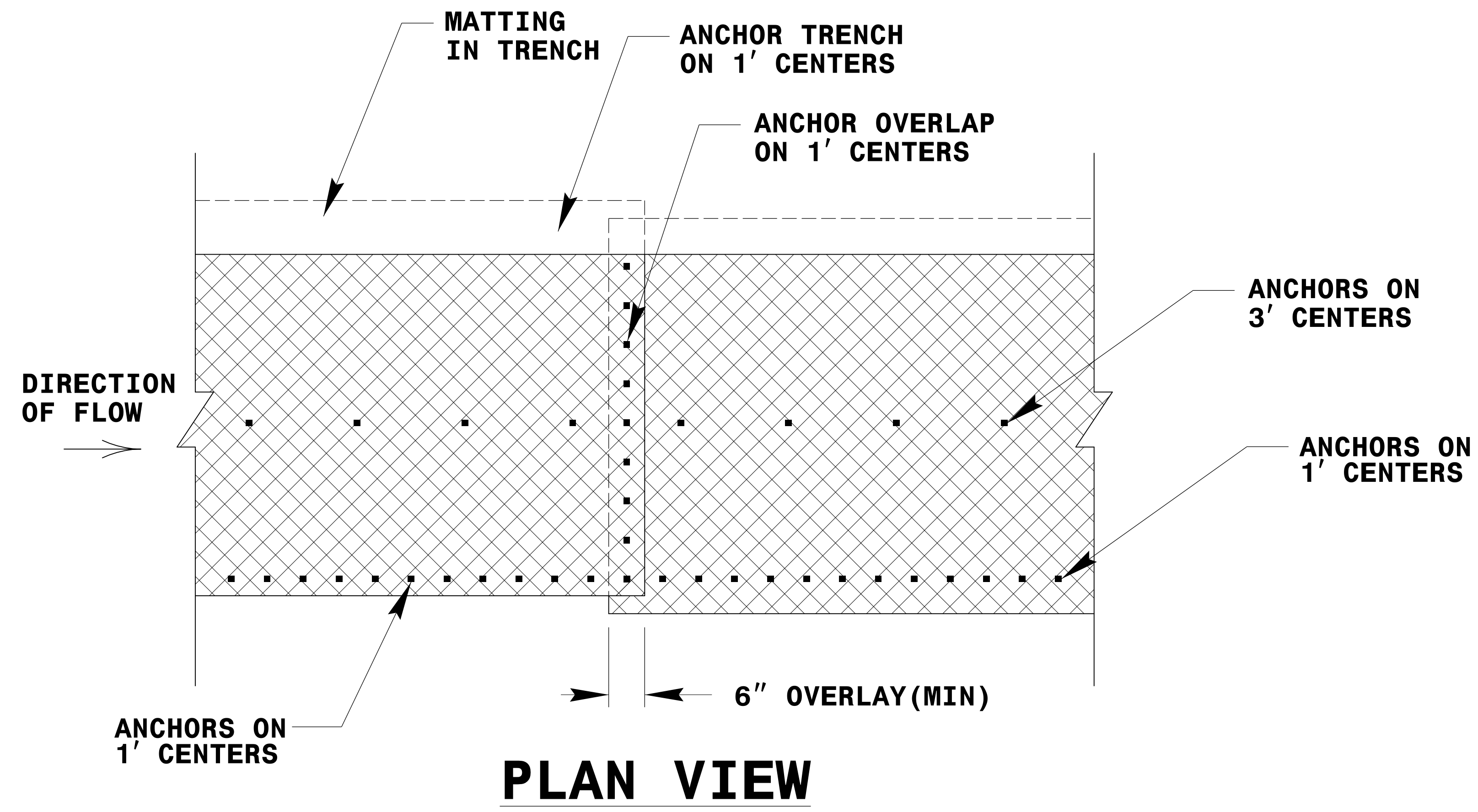
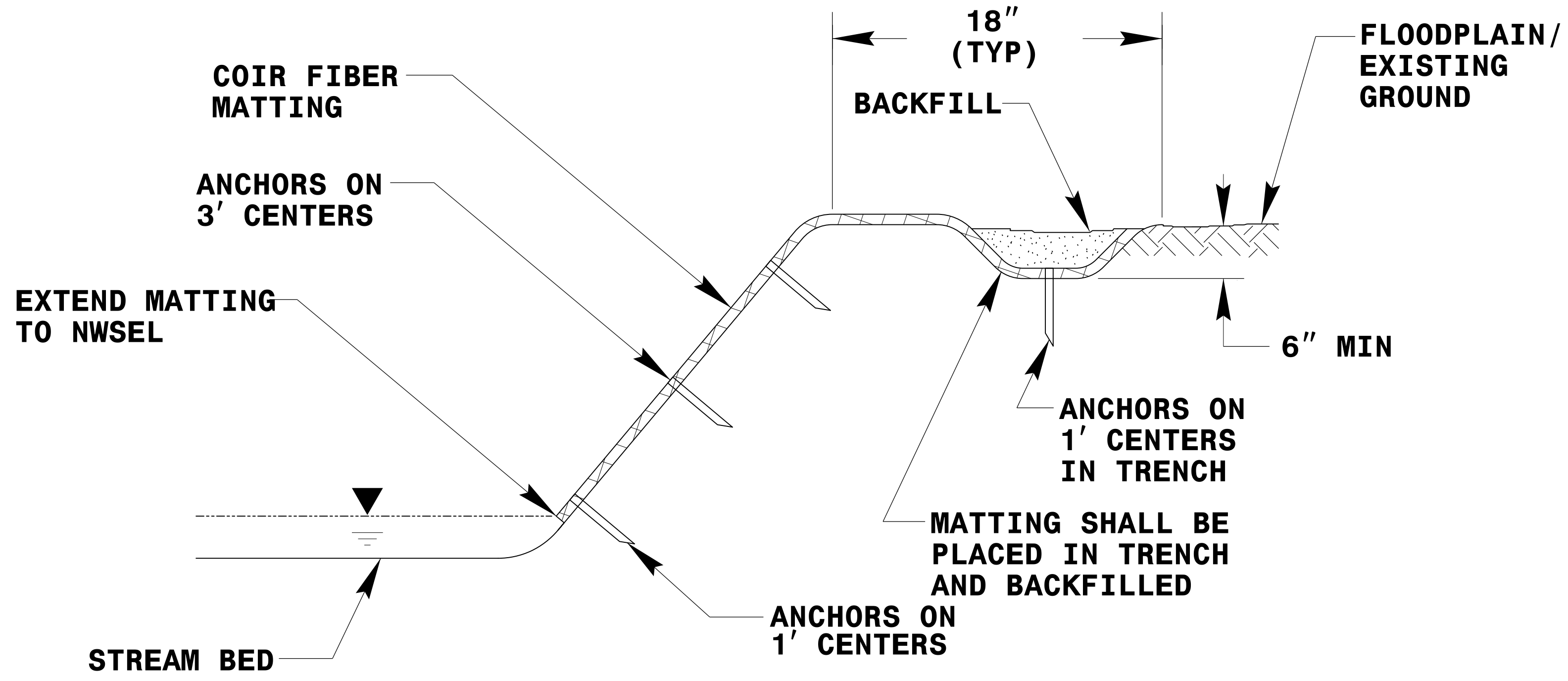


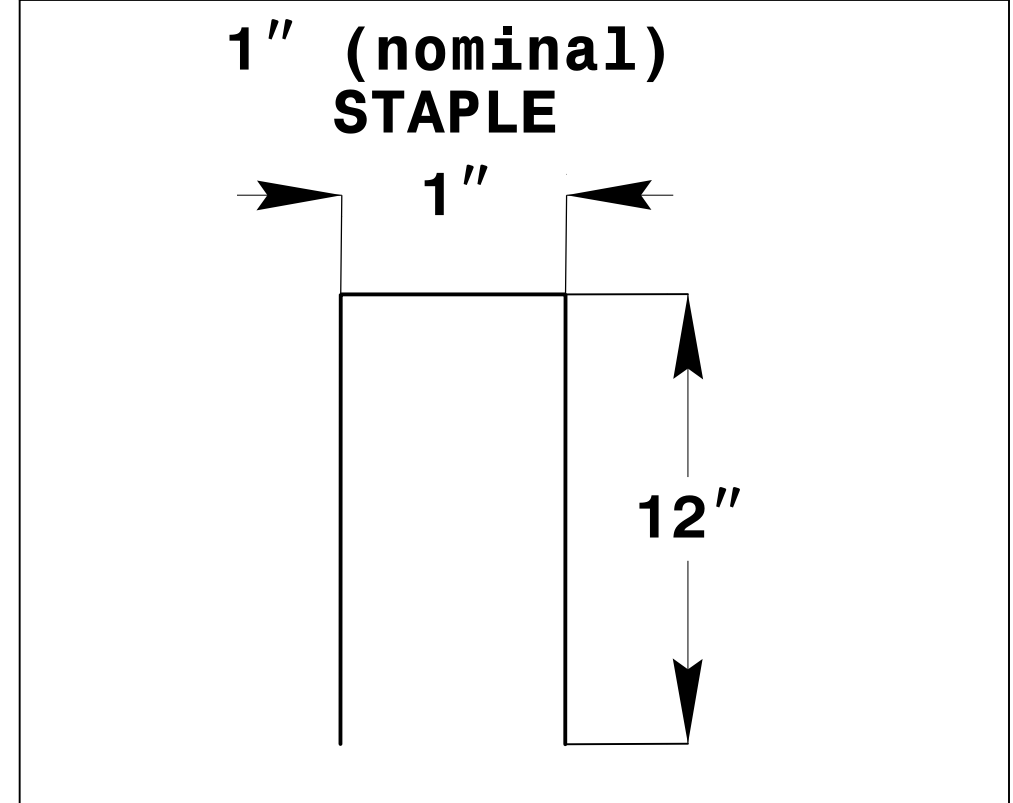
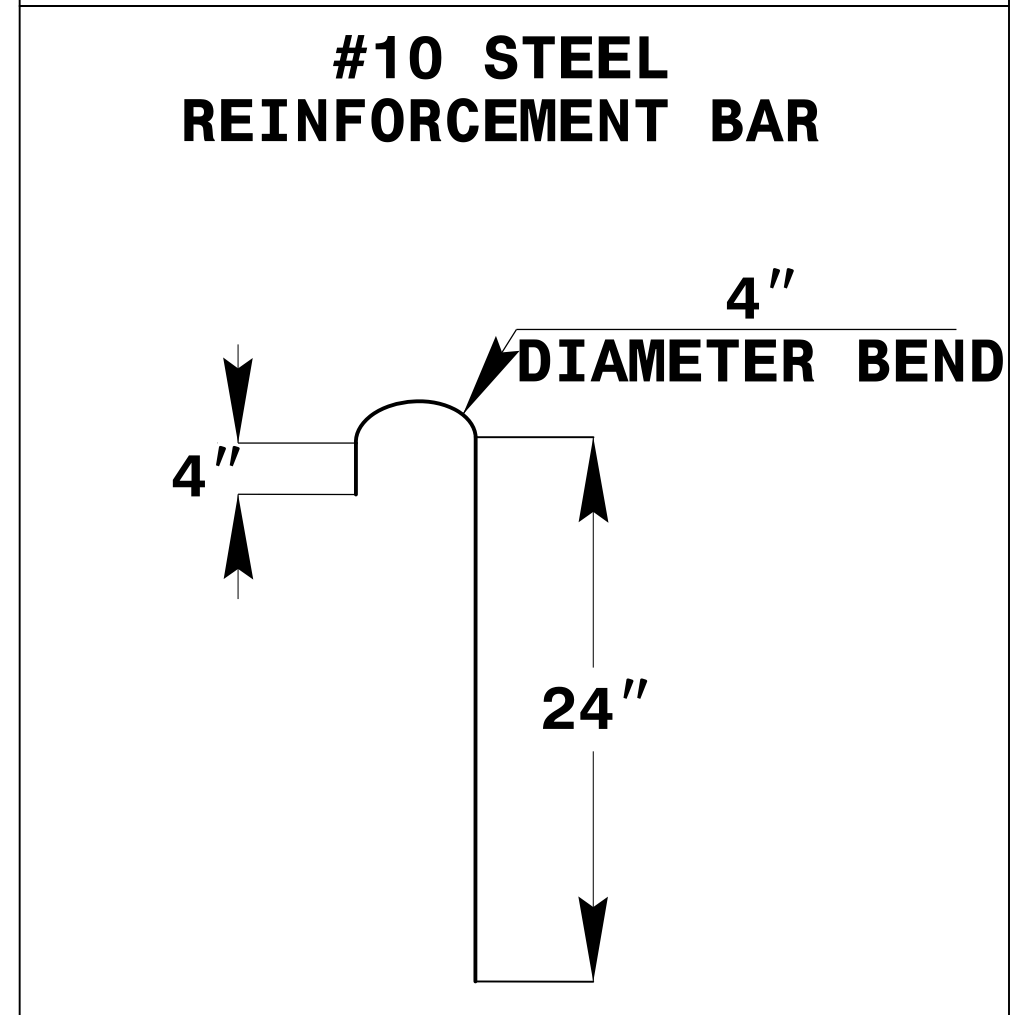
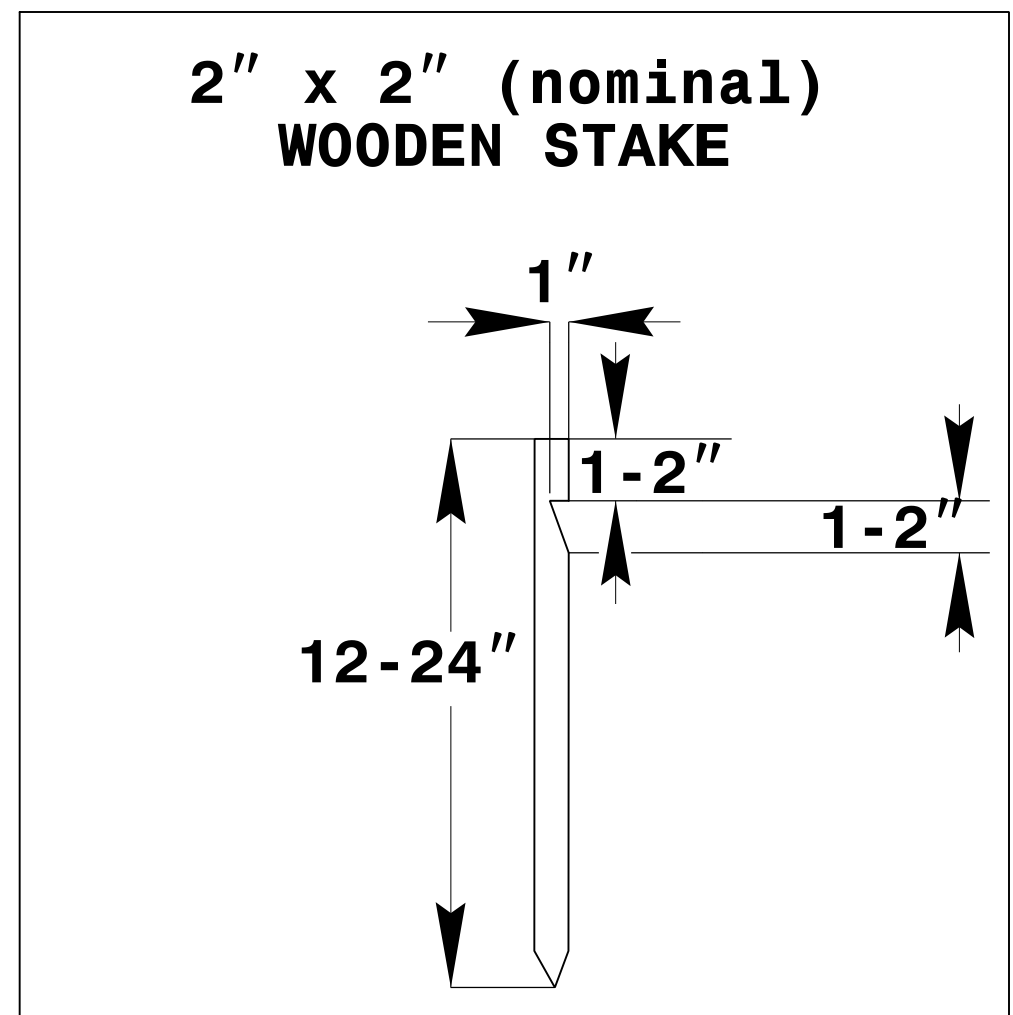
PROJECT REFERENCE NO. <i>BR-0125</i>	SHEET NO. <i>RF-3</i>
RW SHEET NO.	
ROADWAY DESIGN ENGINEER	HYDRAULICS ENGINEER



**PLAN VIEW**



**TYPICAL CROSS SECTION**



**ANCHOR OPTIONS**

**COIR FIBER MATTING DETAIL**

NOT TO SCALE