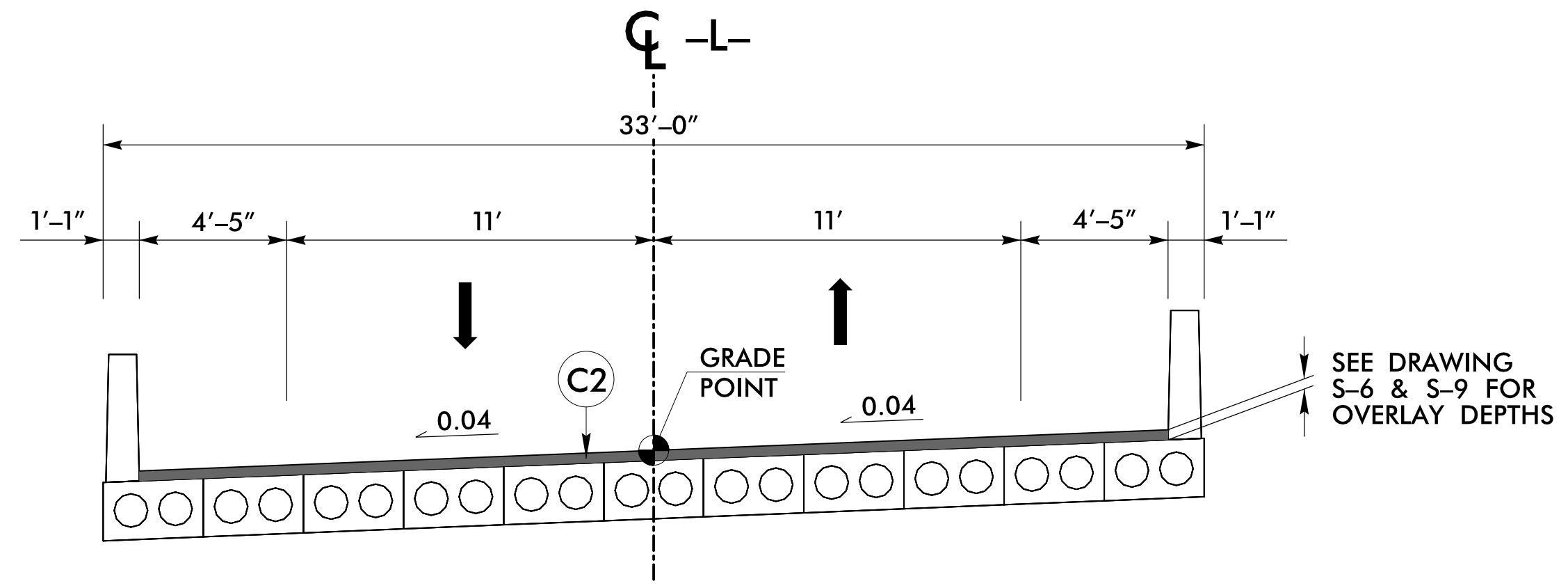


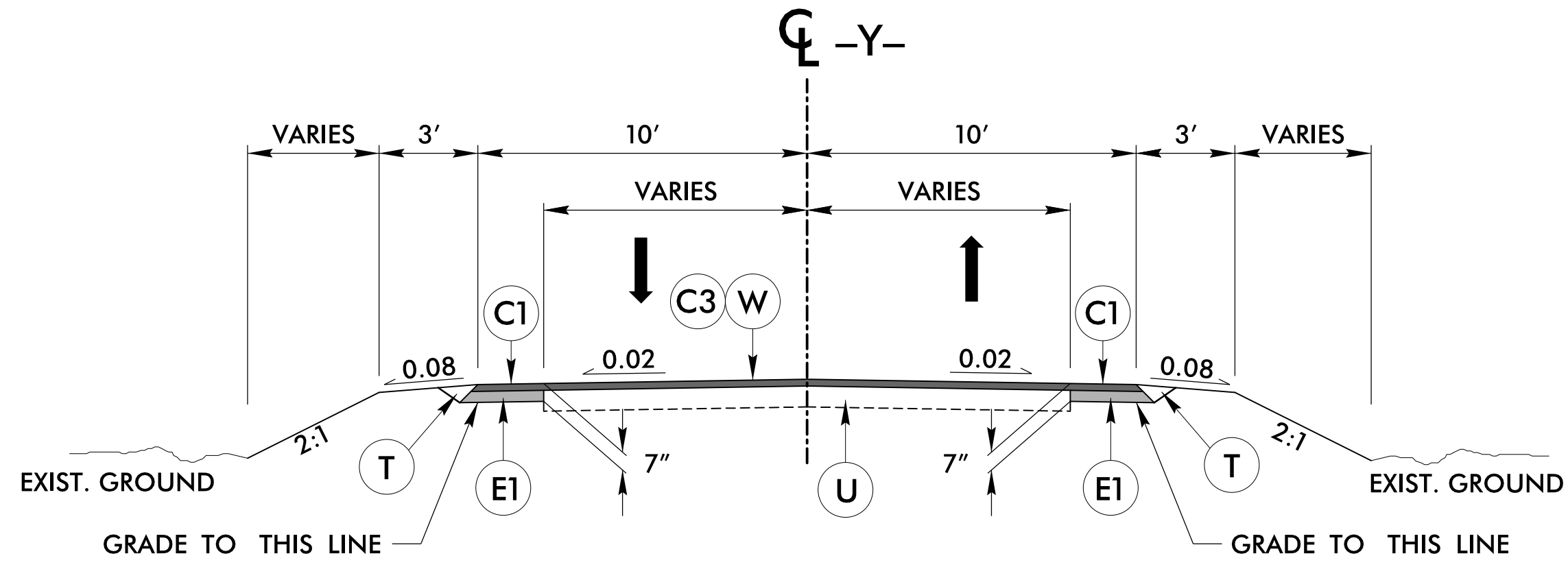
FINAL PAVEMENT SCHEDULE	
C1	3" SURFACE COURSE TYPE S9.5B
C2	VAR. SURFACE COURSE TYPE S9.5B
C3	1.5" SURFACE COURSE TYPE S9.5B
E1	4" BASE COURSE TYPE B25.0C
E2	VAR. BASE COURSE TYPE B25.0C
R	SHOULDER BERM GUTTER
T	EARTH MATERIAL
U	EXISTING PAVEMENT
W	PAVEMENT WEDGING

ALL PAVEMENT SLOPES ARE 1:1
UNLESS SHOWN OTHERWISE.



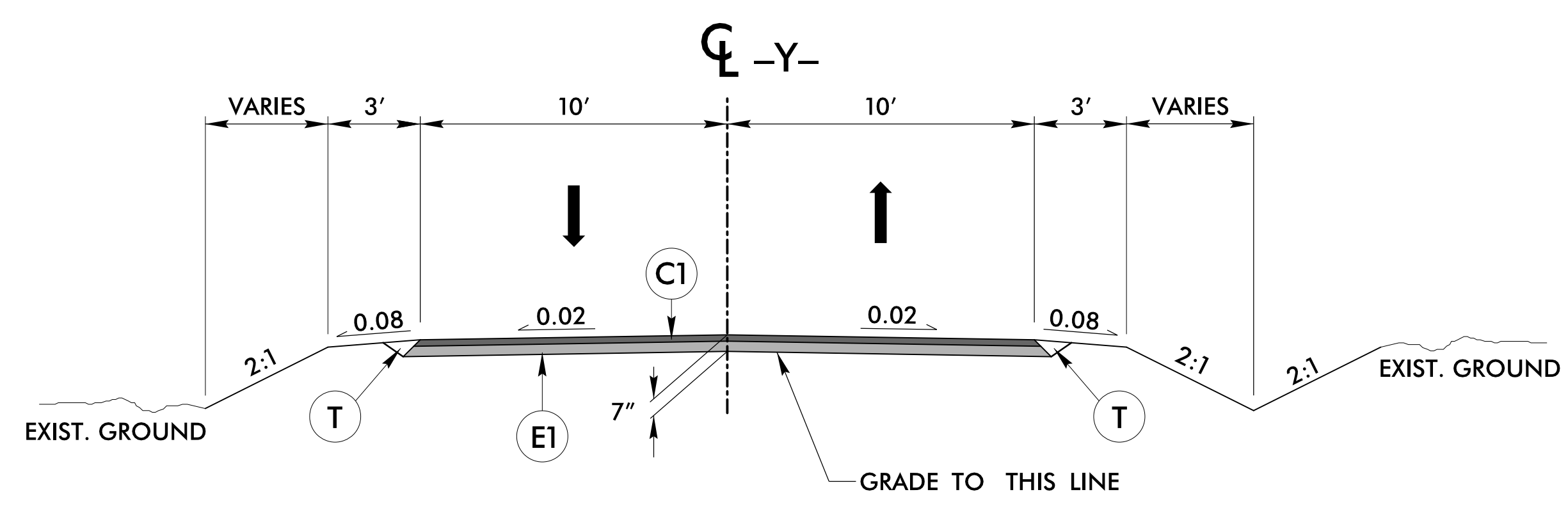
TYPICAL SECTION 3

STA. 14+49.56 (BEGIN BRIDGE) TO 16+22.44 (END BRIDGE)



TYPICAL SECTION 4

-Y- STA. 10+15.00 TO 10+75.00



TYPICAL SECTION 5

-Y- STA. 10+75.00 TO 11+67.51