

**PLAN @ END BENT #1**      **PLAN @ END BENT #2**  
 DIMENSIONS SHOWN ARE TYPICAL FOR BOTH APPROACH SLABS

**NOTES**

FOR BRIDGE APPROACH FILL INCLUDING GEOTEXTILE, 4" Ø DRAINAGE PIPE, AND SELECT MATERIAL BACKFILL, SEE ROADWAY PLANS.

GEOTEXTILE SHALL BE TYPE 1 IN ACCORDANCE WITH THE STANDARD SPECIFICATIONS SECTION 1056.

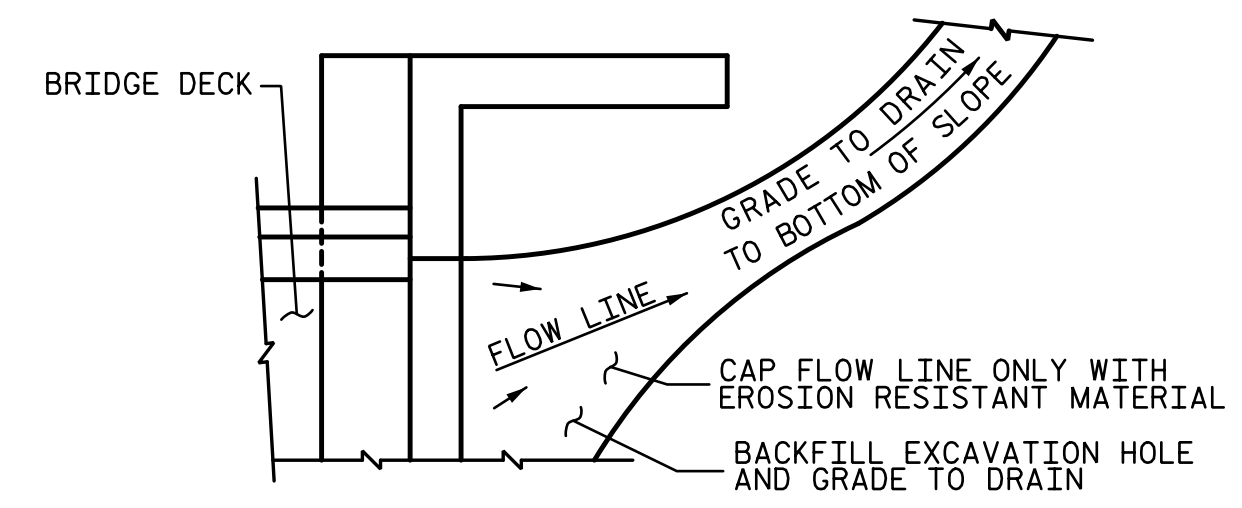
SELECT MATERIAL BACKFILL (CLASS V OR CLASS VI) SHALL BE IN ACCORDANCE WITH STANDARD SPECIFICATIONS SECTION 1016.

SELECT MATERIAL BACKFILL IS TO BE CONTINUOUS ALONG FILL FACE OF BACKWALL FROM OUTSIDE EDGE TO OUTSIDE EDGE OF APPROACH SLAB.

FOR THE 4" Ø DRAINAGE PIPE OUTLET(S), SEE ROADWAY STANDARD DRAWINGS.

AREA BETWEEN THE WINGWALL AND APPROACH SLAB SHALL BE GRADED TO DRAIN THE WATER AWAY FROM THE FILL FACE OF THE BRIDGE AND SHALL BE PAVED. SEE ROADWAY PLANS.

APPROACH SLAB GROOVING IS NOT REQUIRED.



**NOTE:** IF THE APPROACH SLAB IS NOT CONSTRUCTED IMMEDIATELY AFTER THE BACKFILLING OF THE END BENT EXCAVATION, GRADE TO DRAIN TO THE BOTTOM OF THE SLOPE AND PROVIDE EROSION RESISTANT MATERIAL, SUCH AS FIBERGLASS ROVING OR AS DIRECTED BY THE ENGINEER TO PREVENT SOIL EROSION AND TO PROTECT THE AREA ADJACENT TO THE STRUCTURE. THE CONTRACTOR WILL BE REQUIRED TO REMOVE THESE MATERIALS PRIOR TO CONSTRUCTION OF THE APPROACH SLAB.

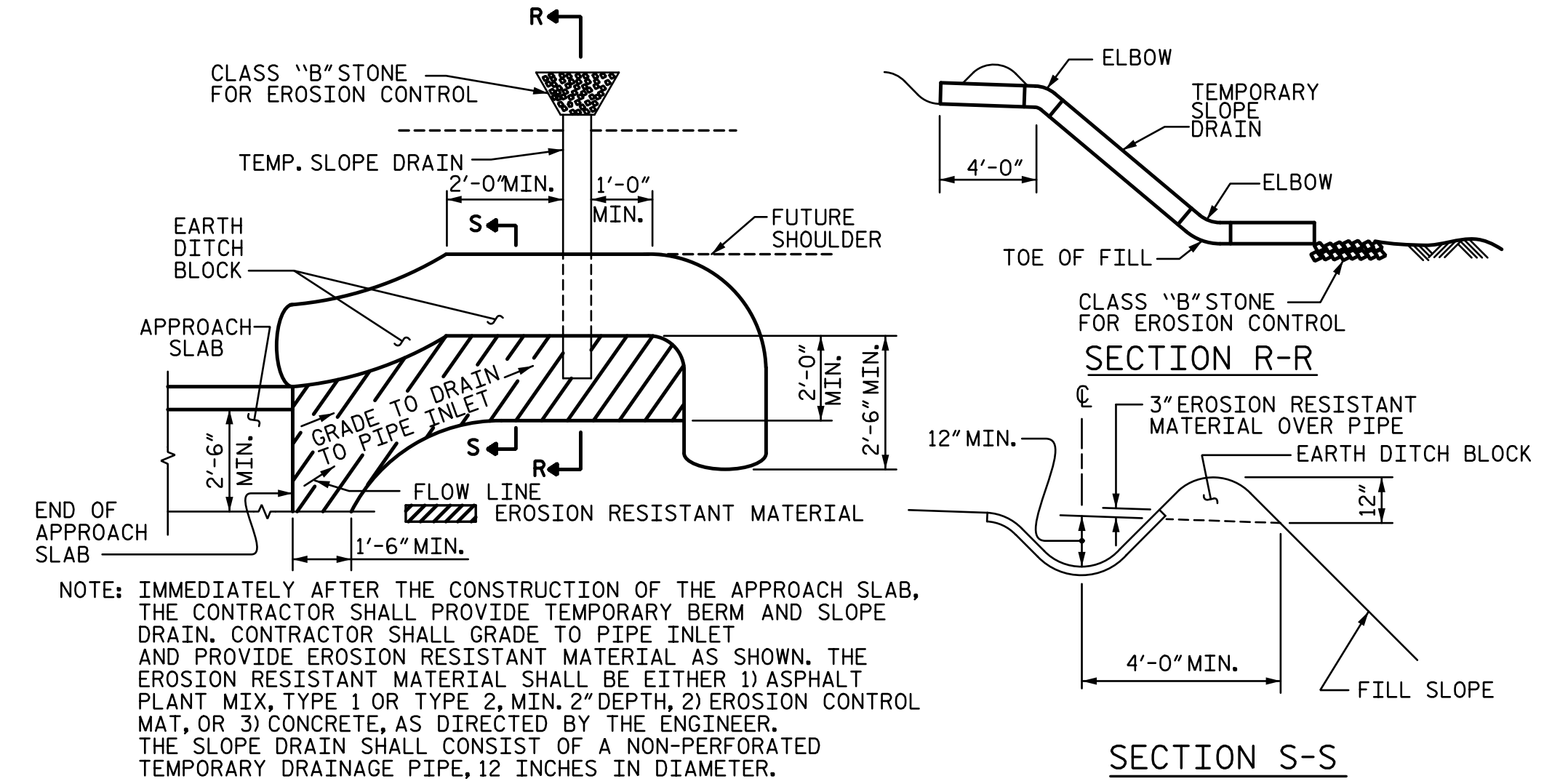
**BILL OF MATERIAL**

APPROACH SLAB AT EB #1						
BAR	NO.	SIZE	TYPE	LENGTH	WEIGHT	
*A1	13	#4	STR	28'-10"	250	
A2	13	#4	STR	28'-10"	250	
*B1	58	#5	STR	11'-2"	676	
B2	58	#6	STR	11'-8"	1016	
REINFORCING STEEL					LBS.	1266
* EPOXY COATED REINFORCING STEEL					LBS.	926
CLASS AA CONCRETE					C. Y.	16.7

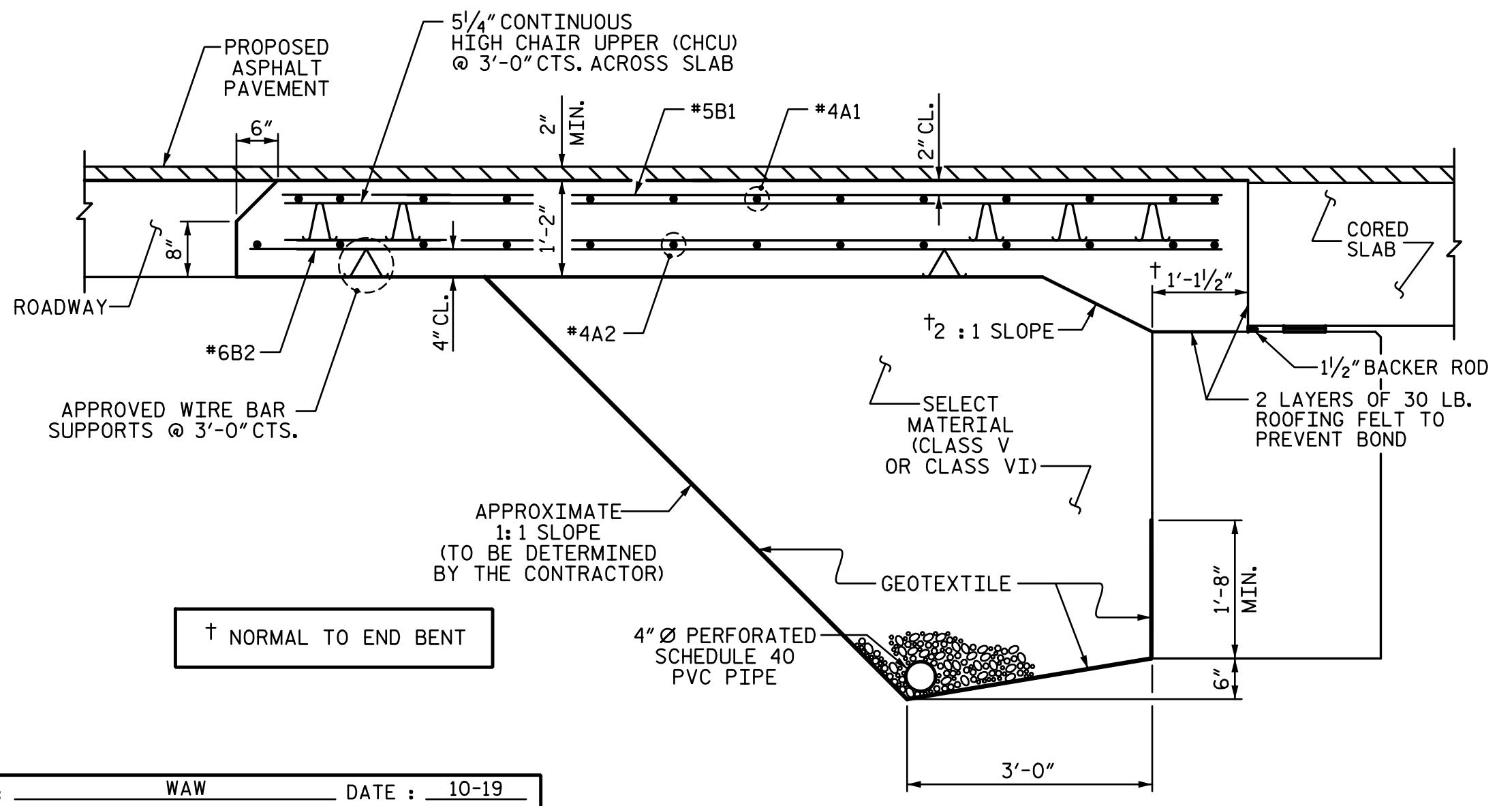
APPROACH SLAB AT EB #2						
BAR	NO.	SIZE	TYPE	LENGTH	WEIGHT	
*A1	13	#4	STR	28'-10"	250	
A2	13	#4	STR	28'-10"	250	
*B1	58	#5	STR	11'-2"	676	
B2	58	#6	STR	11'-8"	1016	
REINFORCING STEEL					LBS.	1266
* EPOXY COATED REINFORCING STEEL					LBS.	926
CLASS AA CONCRETE					C. Y.	16.7

**TEMPORARY DRAINAGE DETAIL**

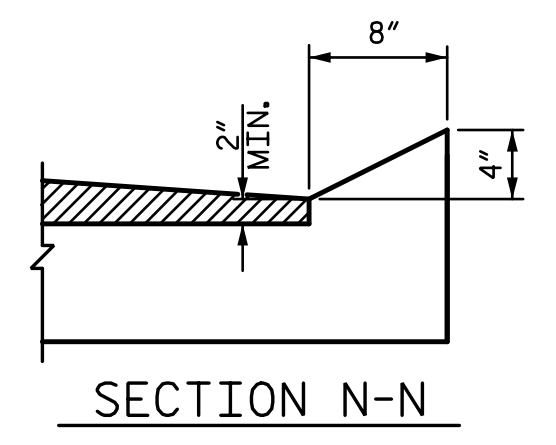


**NOTE:** IMMEDIATELY AFTER THE CONSTRUCTION OF THE APPROACH SLAB, THE CONTRACTOR SHALL PROVIDE TEMPORARY BERM AND SLOPE DRAIN. CONTRACTOR SHALL GRADE TO PIPE INLET AND PROVIDE EROSION RESISTANT MATERIAL AS SHOWN. THE EROSION RESISTANT MATERIAL SHALL BE EITHER 1) ASPHALT PLANT MIX, TYPE 1 OR TYPE 2, MIN. 2" DEPTH, 2) EROSION CONTROL MAT, OR 3) CONCRETE, AS DIRECTED BY THE ENGINEER. THE SLOPE DRAIN SHALL CONSIST OF A NON-PERFORATED TEMPORARY DRAINAGE PIPE, 12 INCHES IN DIAMETER.

**PLAN VIEW**  
**TEMPORARY BERM AND SLOPE DRAIN DETAILS**  
 (TO BE USED WHEN SHOULDER BERM GUTTER IS REQUIRED)



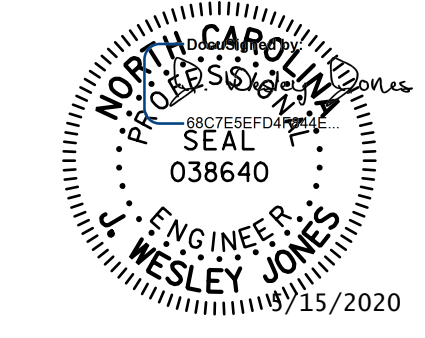
**SECTION THRU SLAB**  
 (TYPE II - MODIFIED APPROACH FILL)



**SECTION N-N**  
**CURB DETAILS**

**SPLICE LENGTHS**

BAR SIZE	EPOXY COATED	UNCOATED
#4	1'-11"	1'-7"
#5	2'-5"	2'-0"
#6	3'-7"	2'-5"



**STV** 100 YEARS  
 STV ENGINEERS, INC.  
 900 West Trade St., Suite 715  
 Charlotte, NC 28202  
 NC License Number F-0991

DOCUMENT NOT CONSIDERED FINAL UNLESS ALL SIGNATURES COMPLETED

PROJECT NO. **BR-0124**  
**WILKES** COUNTY  
 STATION: **15+07.00 -L-**

STATE OF NORTH CAROLINA  
 DEPARTMENT OF TRANSPORTATION  
 RALEIGH  
 STANDARD  
 BRIDGE APPROACH SLAB  
 FOR PRESTRESSED CONCRETE  
 CORED SLAB UNIT  
 (SUB-REGIONAL TIER)  
 90° SKEW

REVISIONS				SHEET NO.	
NO.	BY:	DATE:	NO.	BY:	DATE:
1			3		
2			4		

TOTAL SHEETS: 21

R:\Structures\ustation\Finals\40L BR-0124\_SMU\_AS\_02L 960166.dgn 4/14/2020 2:42:03 PM Jones

DRAWN BY : WAW DATE : 10-19  
 CHECKED BY : JWJ DATE : 12-19  
 DESIGN ENGINEER OF RECORD : JWJ DATE : 4-20  
 DRAWN BY : SHS/MAA 5-09 REV. 12-17 MAA/THC  
 CHECKED BY : BCH 5-09 REV. 08-19 BNB/THC