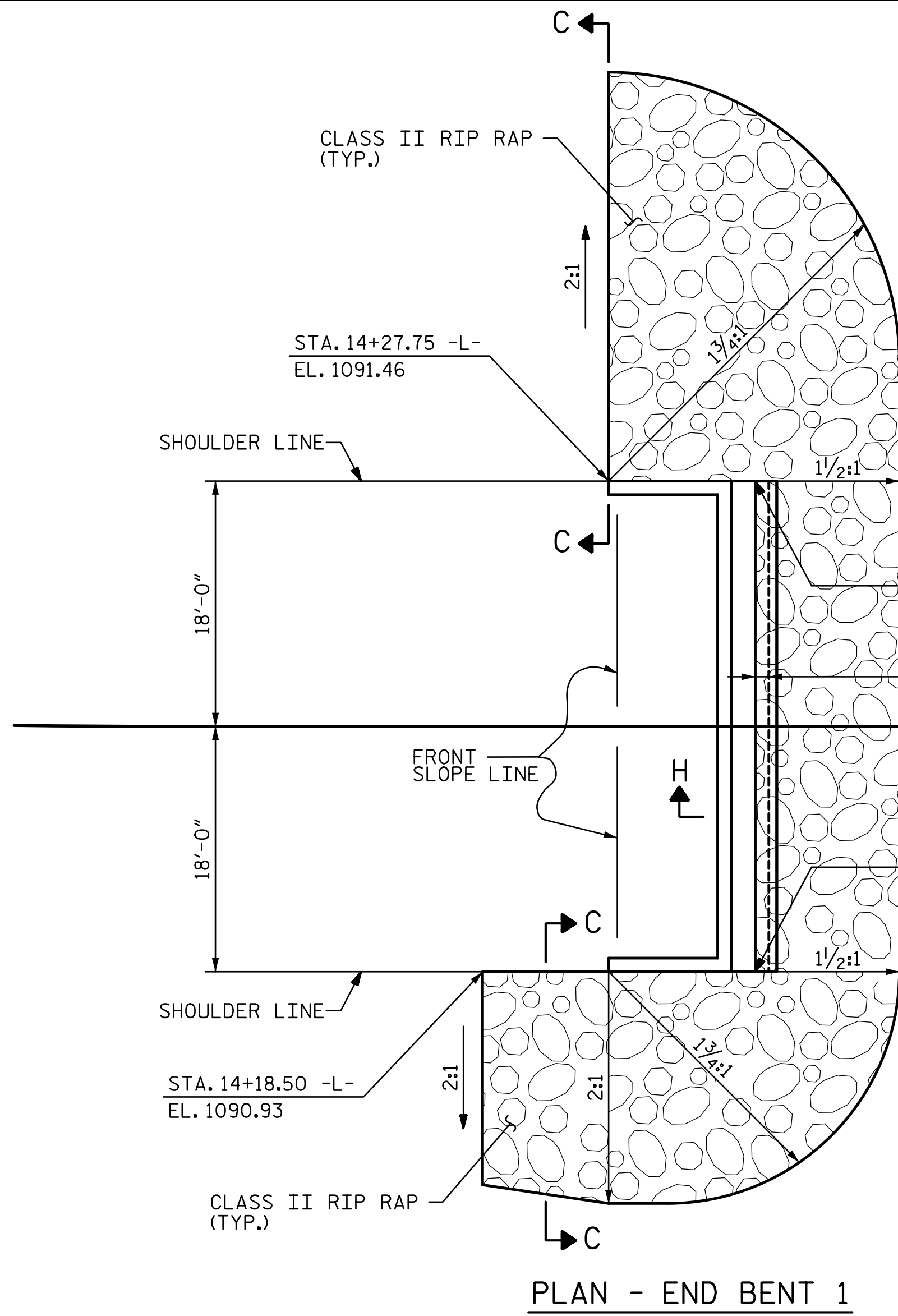
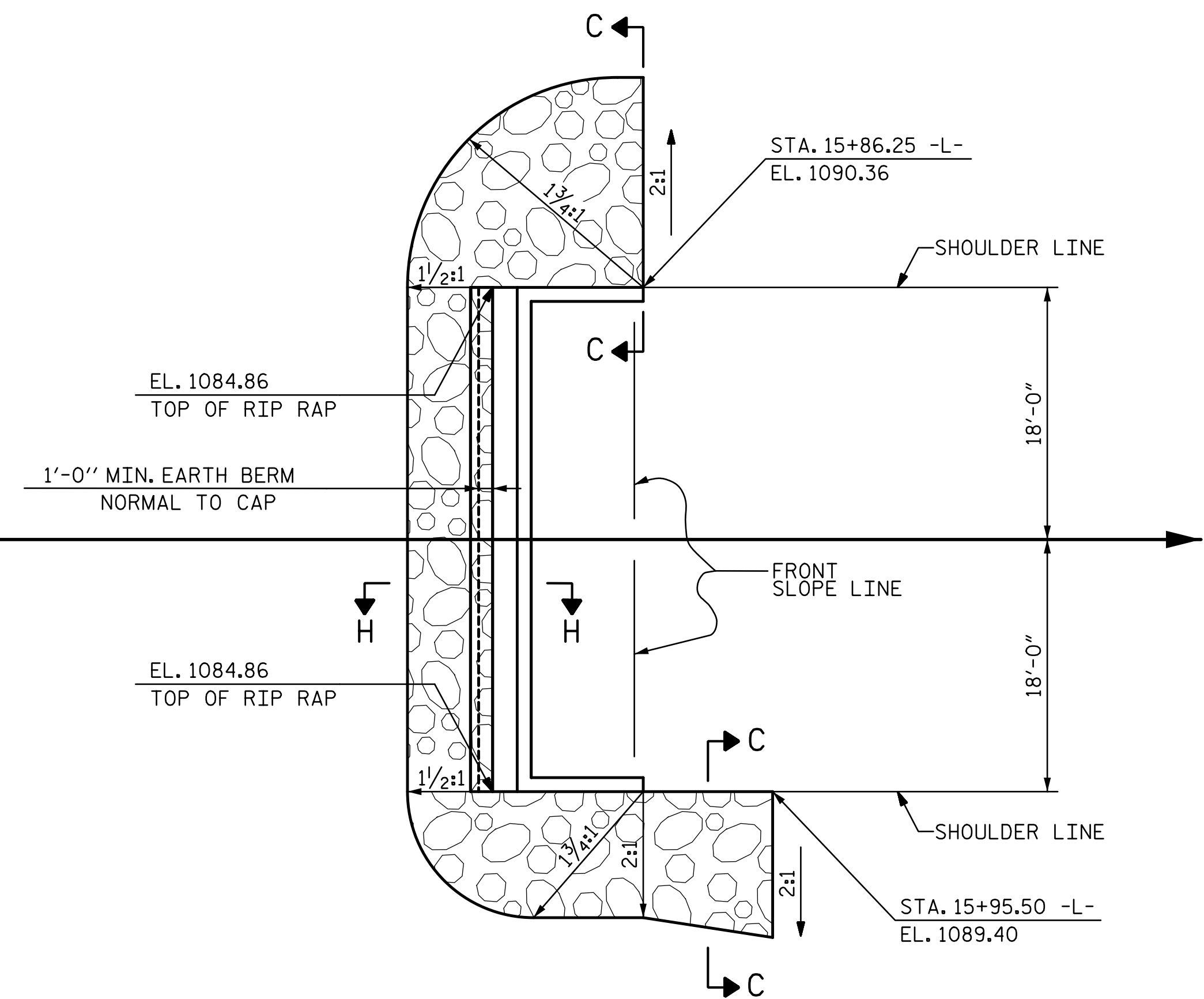


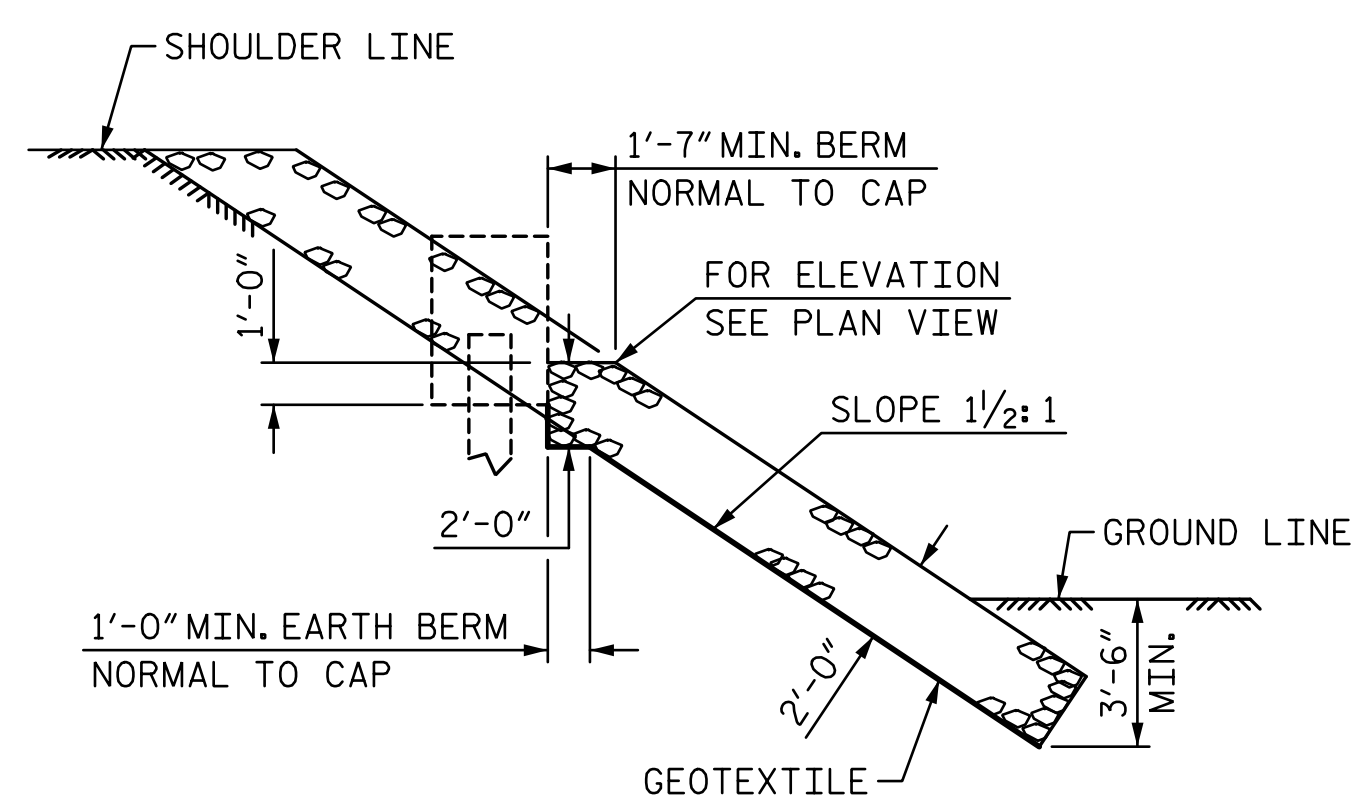
R:\Structures\ustation\Finals\40L_039_BR-0124_SML_PR_020_960166.dgn 4/14/2020 2:42:02 PM Jones



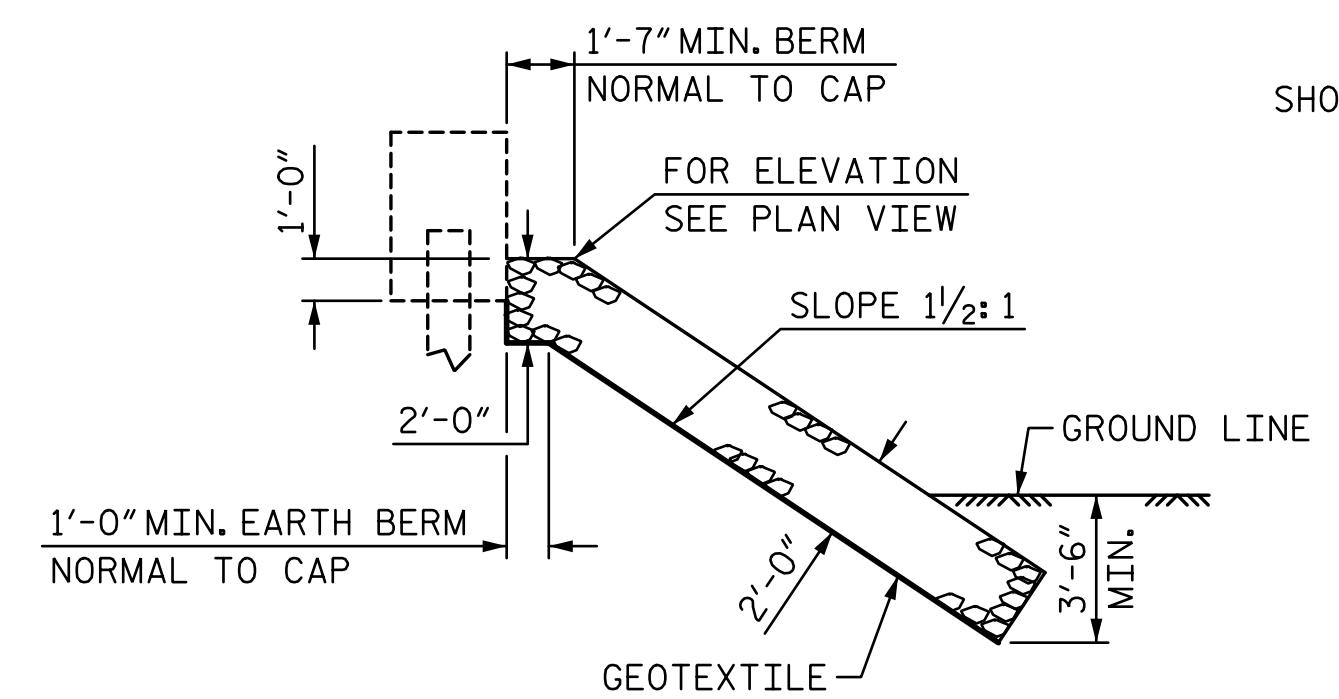
PLAN - END BENT 1



PLAN - END BENT 2

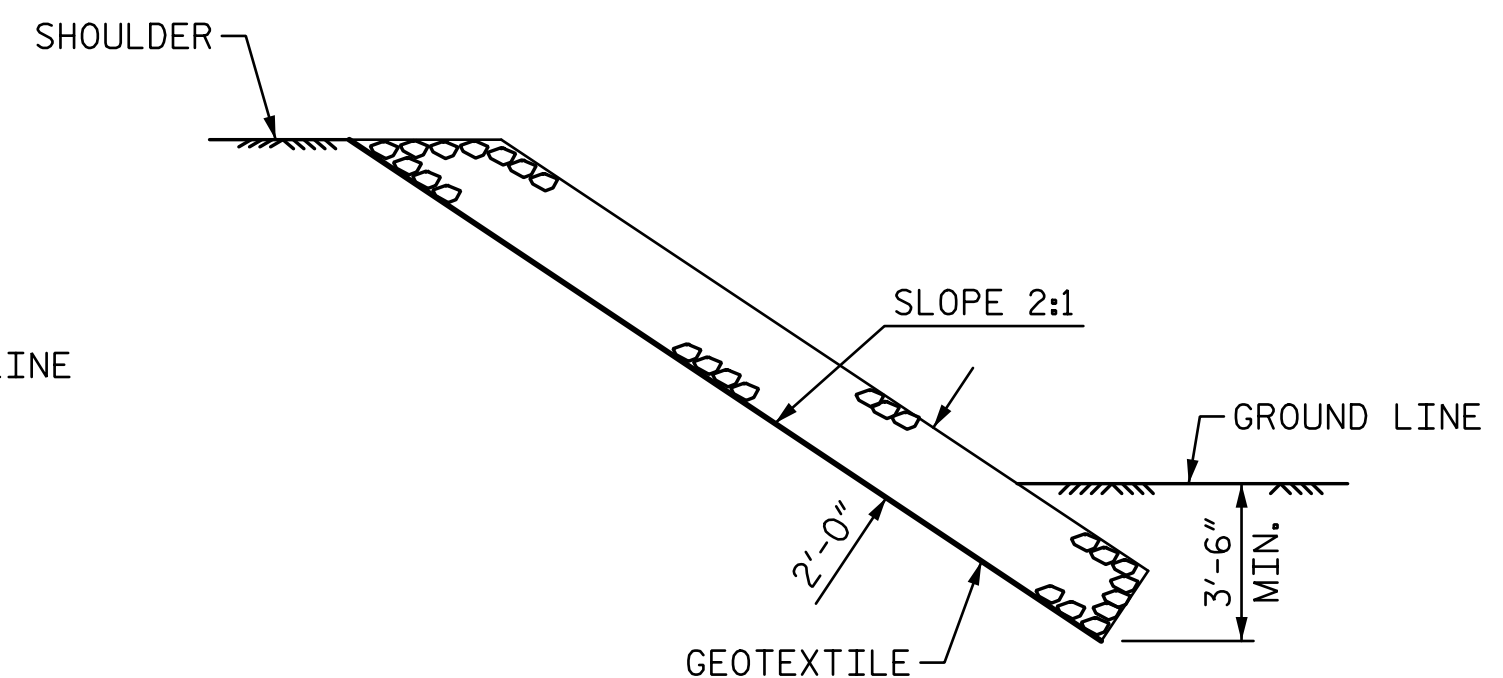


SECTION H-H



SECTION C-C

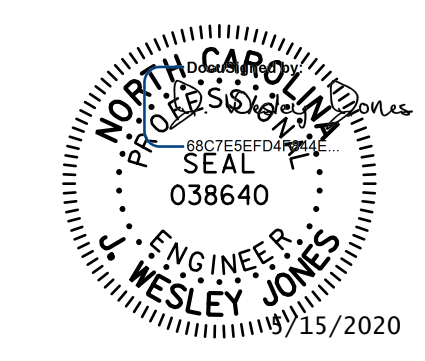
BERM RIP RAPPED
END BENT 1 SHOWN, END BENT 2 SIMILAR



SECTION C-C

ESTIMATED QUANTITIES		
BRIDGE @ STA. 15+07.00 -L-	RIP RAP CLASS II (2'-0" THICK)	GEOTEXTILE FOR DRAINAGE
	TONS	SQUARE YARDS
END BENT 1	205	225
END BENT 2	110	125

PROJECT NO. BR-0124
WILKES COUNTY
 STATION: 15+07.00 -L-



STV 100 YEARS
 STV ENGINEERS, INC.
 900 West Trade St., Suite 715
 Charlotte, NC 28202
 NC License Number F-0991

DOCUMENT NOT CONSIDERED
 FINAL UNLESS ALL
 SIGNATURES COMPLETED

STATE OF NORTH CAROLINA DEPARTMENT OF TRANSPORTATION RALEIGH				
RIP RAP DETAILS				
REVISIONS				SHEET NO.
NO.	BY:	DATE:	NO.	DATE:
1			3	
2			4	

S-20
TOTAL SHEETS 21

DRAWN BY : WAW	DATE : 10-19
CHECKED BY : JWJ	DATE : 12-19
DESIGN ENGINEER OF RECORD : JWJ	DATE : 4-20