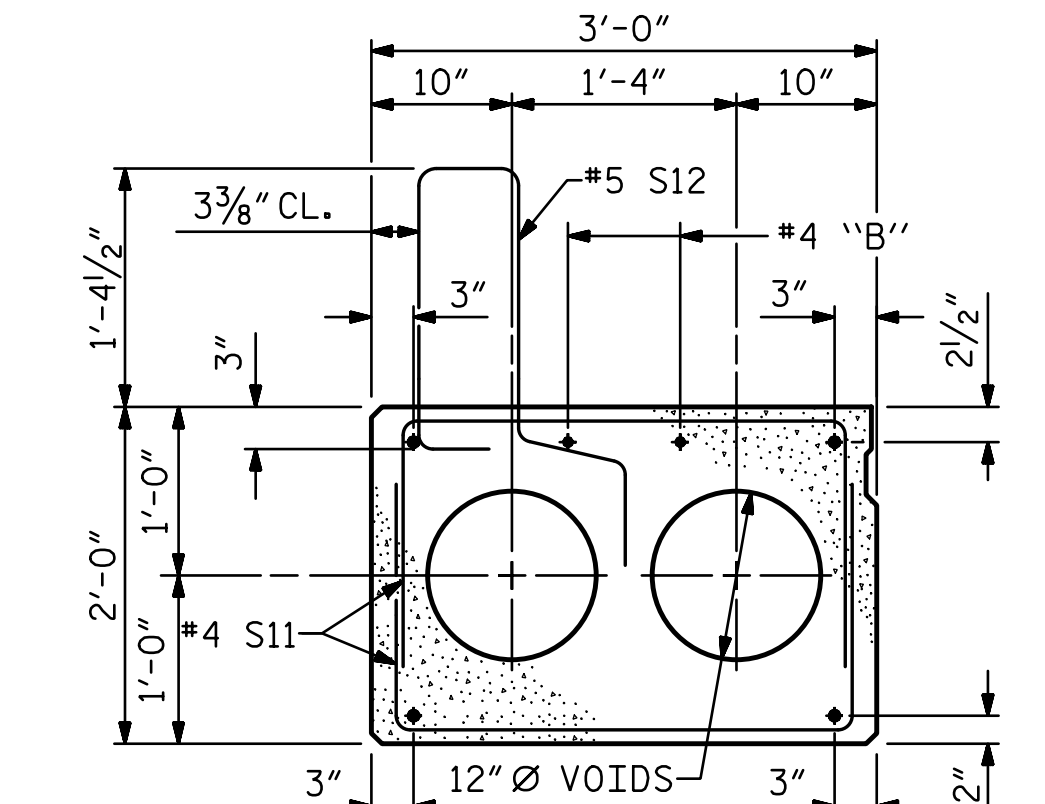
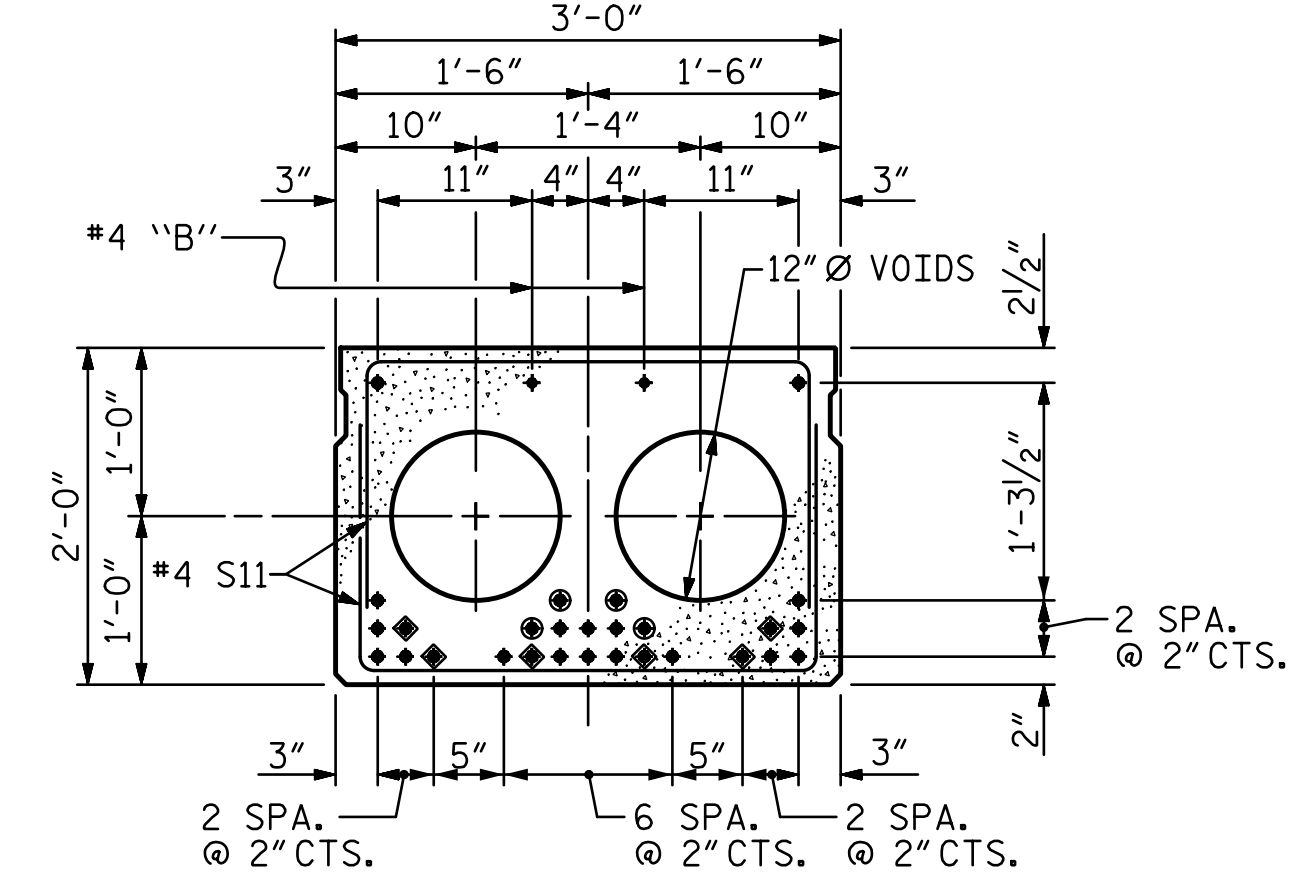


HALF SECTION AT INTERMEDIATE DIAPHRAGMS  
**TYPICAL SECTION**  
 HALF SECTION THROUGH VOIDS

\* - THE MAXIMUM BARRIER RAIL HEIGHT AND ASPHALT THICKNESS IS SHOWN. THE HEIGHT OF THE BARRIER RAIL AND ASPHALT THICKNESS VARIES WHILE THE TOP OF THE BARRIER RAIL FOLLOWS THE PROFILE OF THE GUTTERLINE. FOR RAIL HEIGHT DETAILS AND ASPHALT THICKNESS, SEE THE "VERTICAL CONCRETE BARRIER RAIL SECTION" DETAIL.



**EXTERIOR SLAB SECTION**  
 (FOR PRESTRESSED STRAND LAYOUT, SEE INTERIOR SLAB SECTION.)

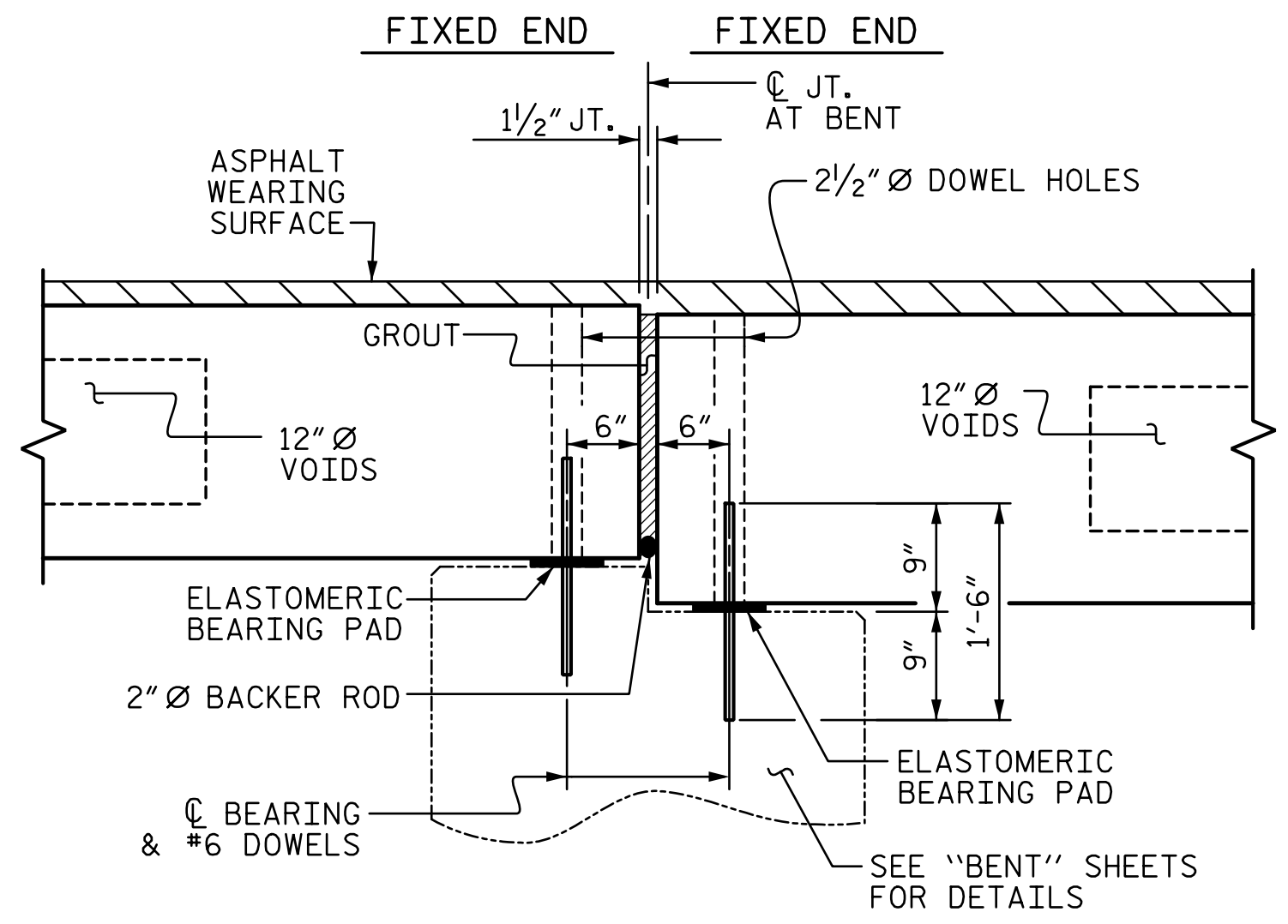


**INTERIOR SLAB SECTION (60' UNIT)**  
 (24 STRANDS REQUIRED)

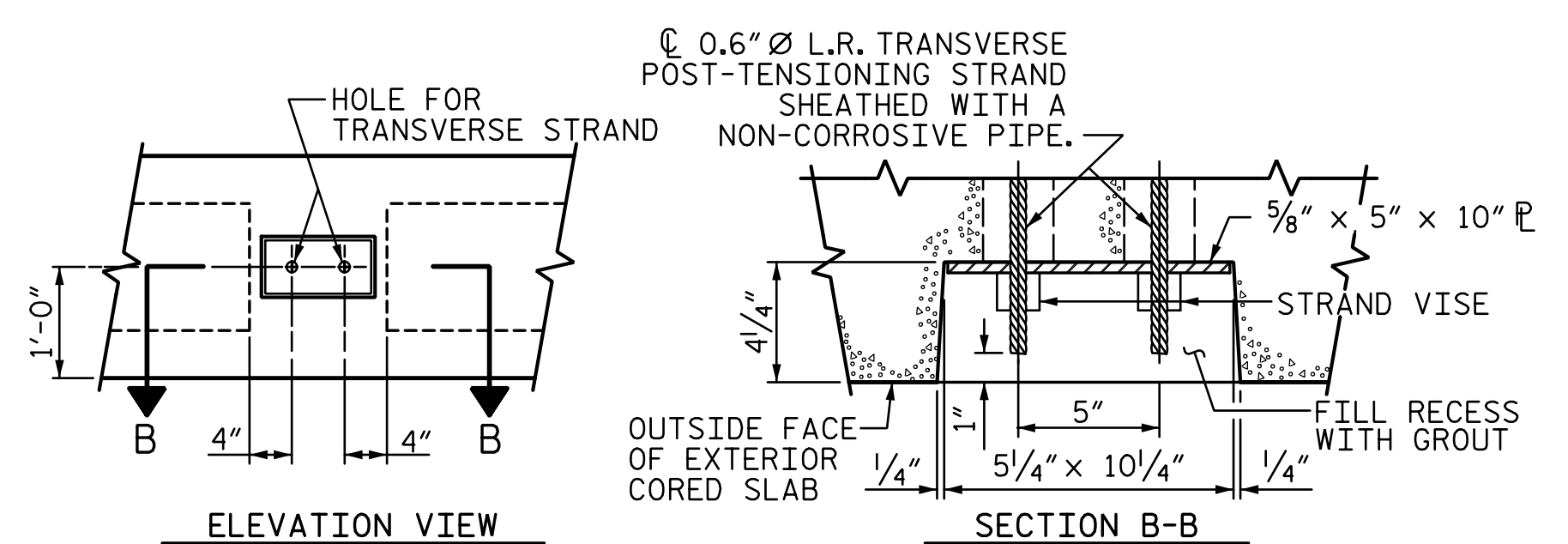
**0.6" Ø LOW RELAXATION STRAND LAYOUT**

- ◆ BOND SHALL BE BROKEN ON THESE STRANDS FOR A DISTANCE OF 12'-0" FROM END OF CORED SLAB UNIT. SEE STANDARD SPECIFICATIONS, ARTICLE 1078-7.
- OPTIONAL FULL LENGTH DEBONDED STRANDS. THESE STRANDS ARE NOT REQUIRED. IF THE FABRICATOR CHOOSES TO INCLUDE THESE STRANDS IN THE CORED SLAB UNIT, THE STRANDS SHALL BE DEBONDED FOR THE FULL LENGTH OF THE UNIT AT NO ADDITIONAL COST. SEE STANDARD SPECIFICATIONS, ARTICLE 1078-7.

**DEBONDING LEGEND**

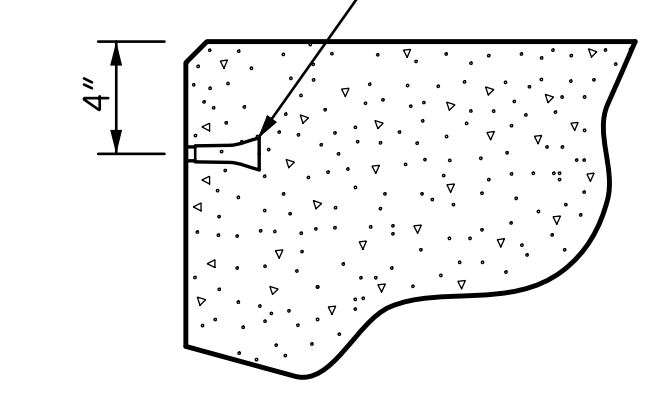


**SECTION AT BENT**

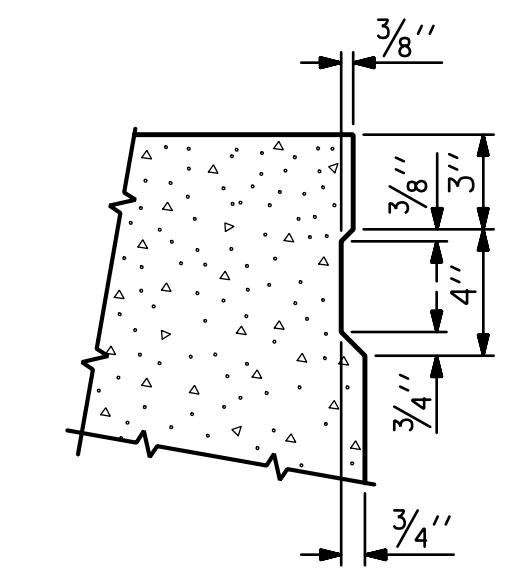


**GROUTED RECESS AT END OF POST-TENSIONED STRAND CORED SLABS**

PERMITTED THREADED INSERT CAST IN OUTSIDE FACE OF EXTERIOR UNIT AND RECESSED 3/8" SIZE TO BE DETERMINED BY CONTRACTOR.

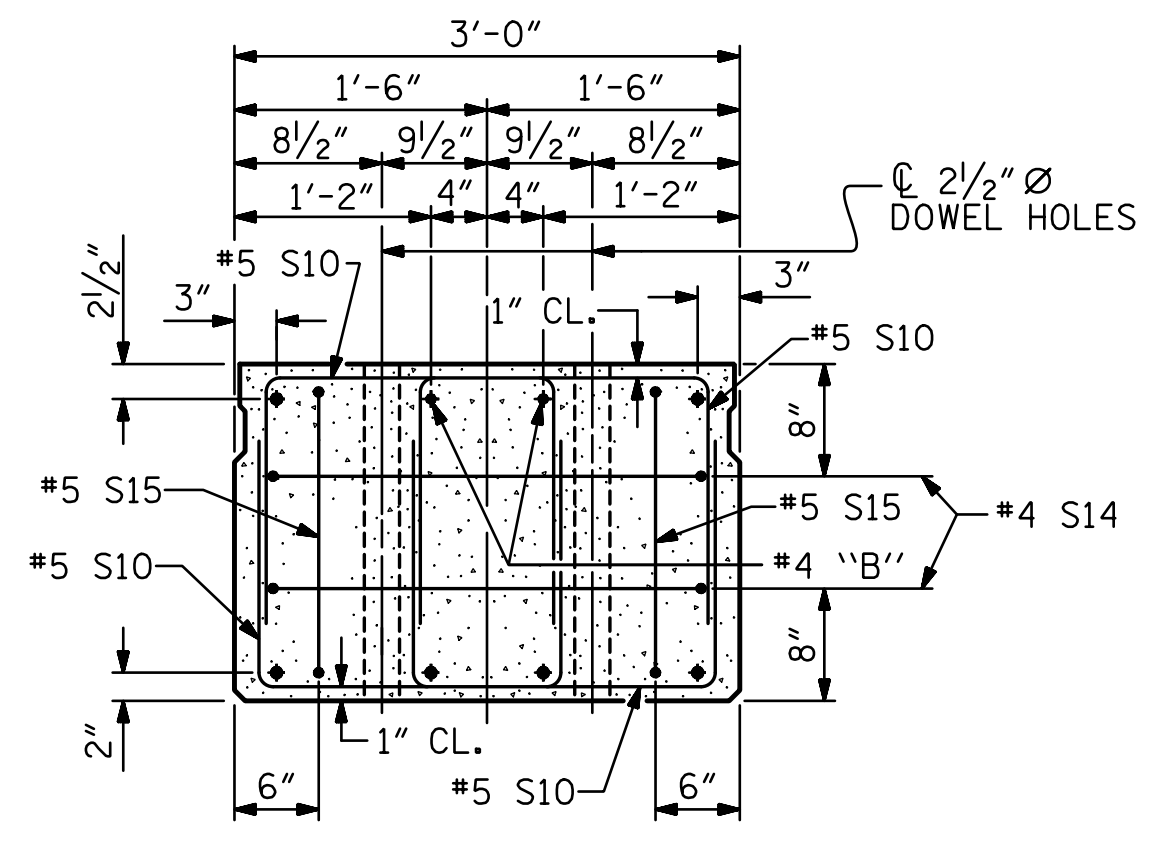


**THREADED INSERT DETAIL**



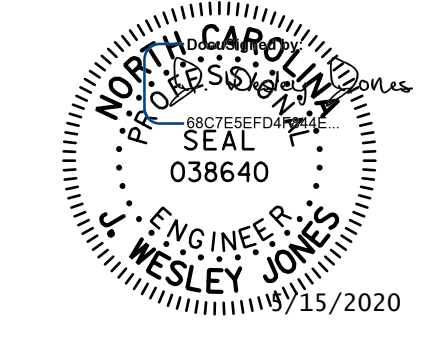
**SHEAR KEY DETAIL**

NOTE: OMIT SHEAR KEY ON OUTSIDE FACE OF EXTERIOR CORED SLABS.



**END ELEVATION**

SHOWING PLACEMENT OF DOUBLE STIRRUPS AND LOCATION OF DOWEL HOLES. (STRAND LAYOUT NOT SHOWN.) INTERIOR SLAB UNIT SHOWN-EXTERIOR SLAB UNIT SIMILAR EXCEPT SHEAR KEY LOCATION.



**STV** 100 YEARS  
 STV ENGINEERS, INC.  
 900 West Trade St., Suite 715  
 Charlotte, NC 28202  
 NC License Number F-0991

DOCUMENT NOT CONSIDERED FINAL UNLESS ALL SIGNATURES COMPLETED

PROJECT NO. **BR-0124**

**WILKES** COUNTY

STATION: **15+07.00 -L-**

SHEET 1 OF 3

STATE OF NORTH CAROLINA  
 DEPARTMENT OF TRANSPORTATION  
 RALEIGH  
 STANDARD  
**3'-0" X 2'-0"**  
 PRESTRESSED CONCRETE  
 CORED SLAB UNIT  
 (SPAN B)

REVISIONS				SHEET NO.
NO.	BY:	DATE:	NO.	DATE:
1			3	
2			4	

S-8  
 TOTAL SHEETS 21

R:\Structures\ustation\Finals\4015\_BR-0124\_SMU\_CS4\_008\_960166.dgn 4/14/2020 2:41:43 PM Jones

DRAWN BY : WAW	DATE : 10-19
CHECKED BY : JWJ	DATE : 12-19
DESIGN ENGINEER OF RECORD : JWJ	DATE : 4-20
DRAWN BY : MAA 6/10	REV. 8/14
CHECKED BY : MKT 7/10	MAA/TMG