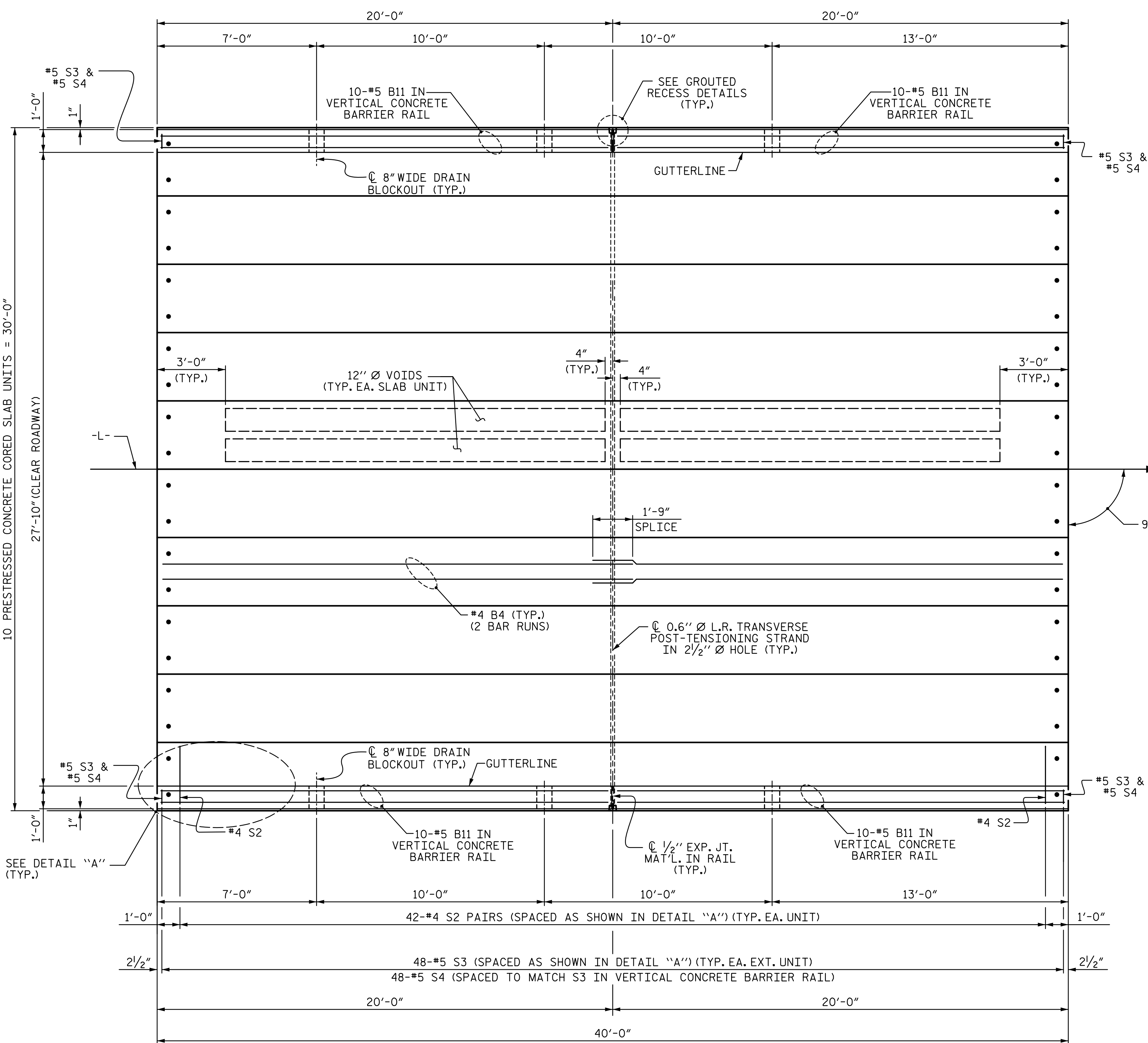
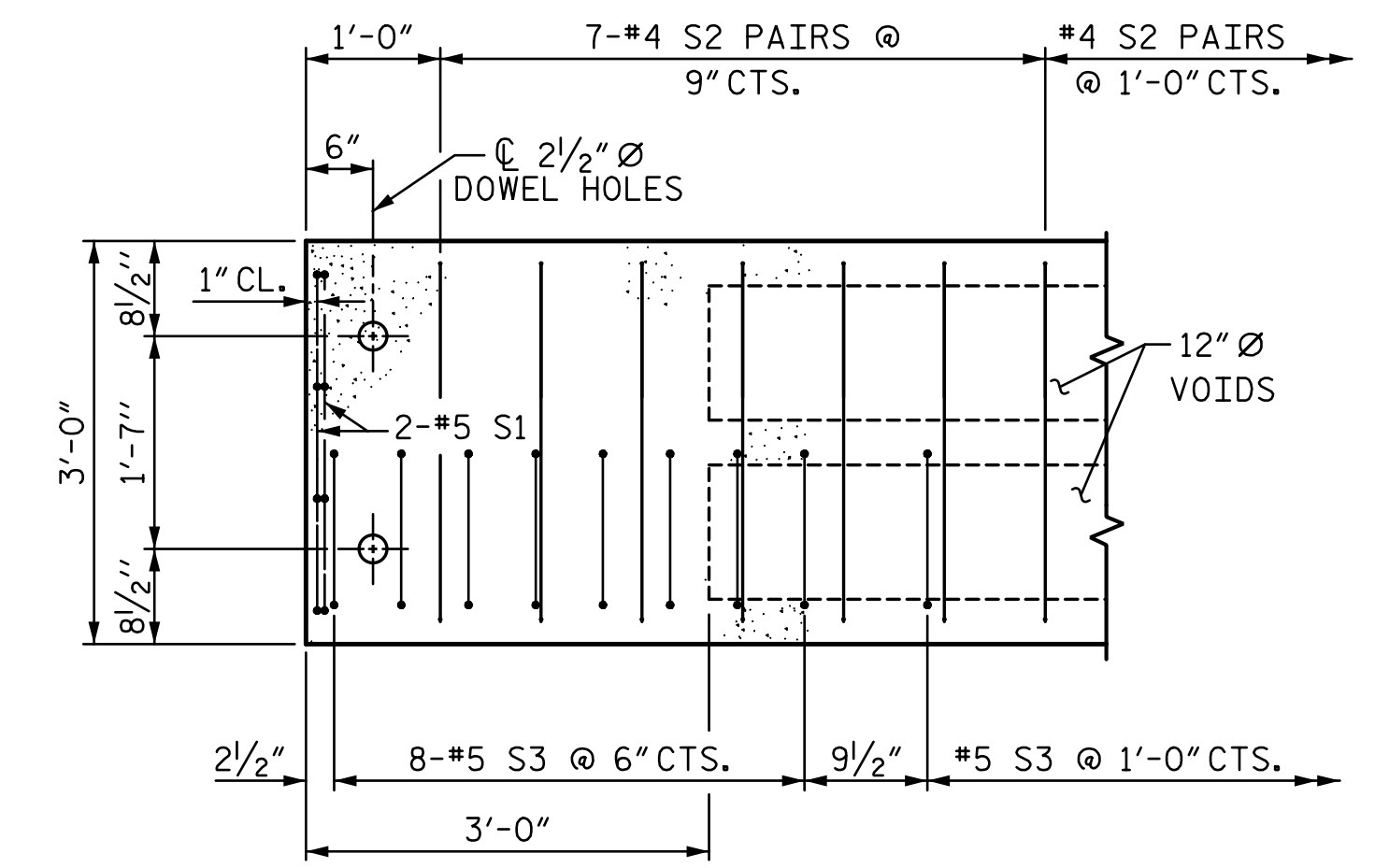


R:\Structures\ustation\Finals\40L\_OIL\_BR-0124\_SML\_CS2\_006\_96066.dgn 4/14/2020 2:41:40 PM Jones

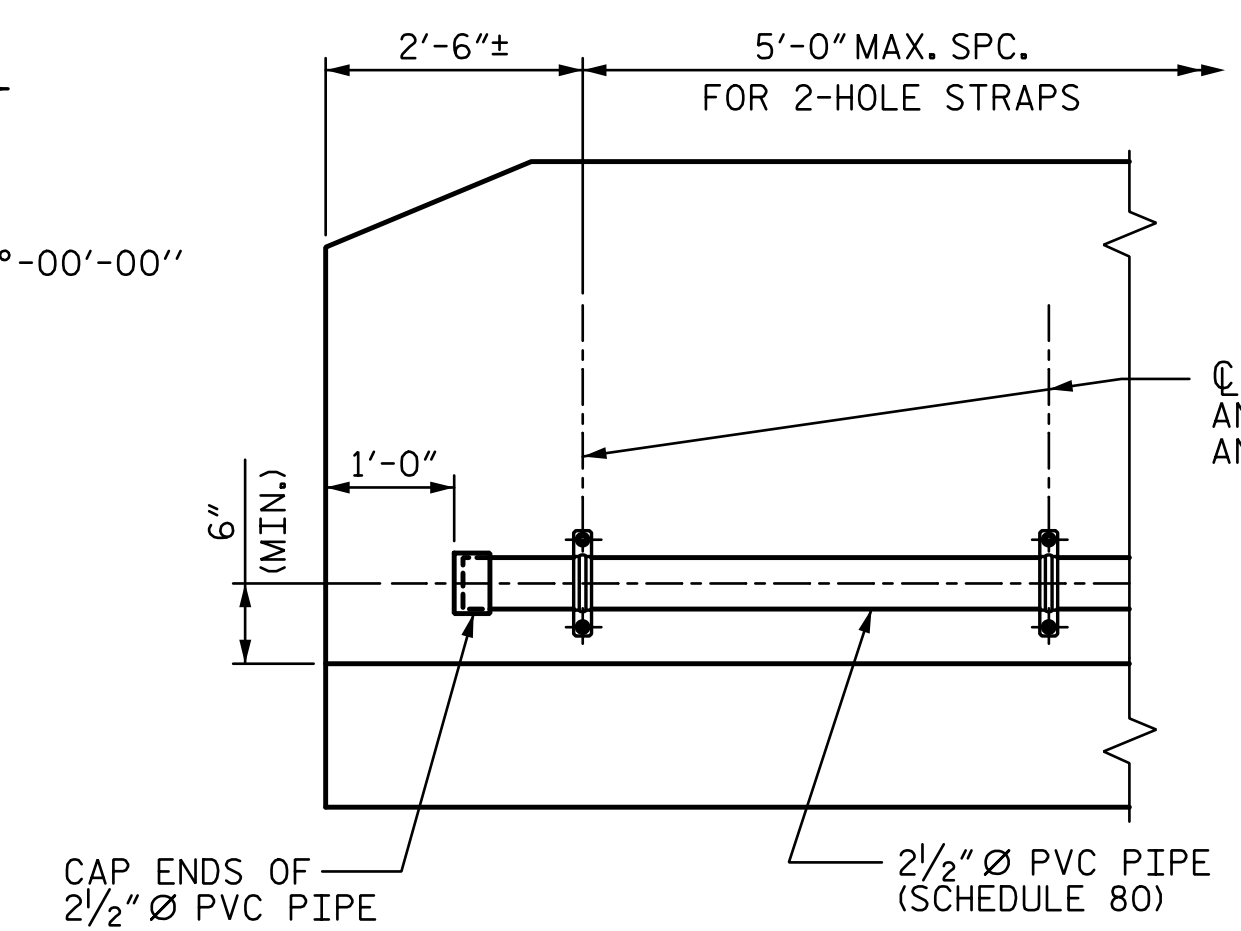


**PLAN OF UNIT**

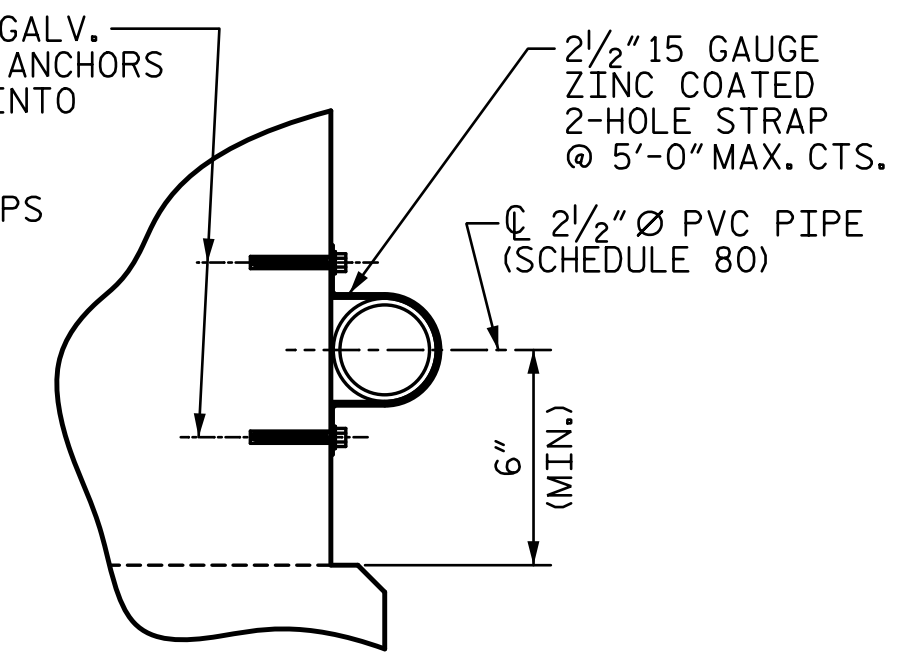


**DETAIL "A"**

(TYPICAL EACH END OF UNIT)  
NOTE: EXTERIOR UNIT SHOWN - INTERIOR UNIT SIMILAR EXCEPT OMIT #5 S3 BARS.



**ELEVATION**



**SECTION**

**FIBER OPTIC CONDUIT SYSTEM DETAILS**

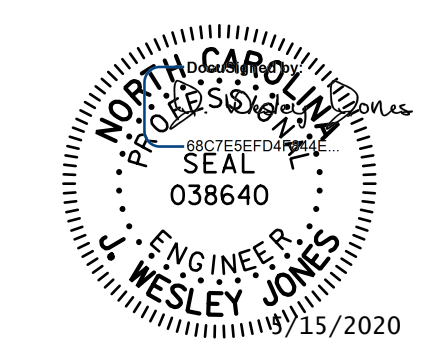
2 1/2" Ø SCHEDULE 80 PVC PIPE ATTACHED TO THE BACK OF BOTH RAILS FOR FUTURE FIBER OPTIC CABLE.

PROJECT NO. **BR-0124**

**WILKES** COUNTY

STATION: **15+07.00 -L-**

SHEET 2 OF 3



**STV** 100 YEARS STV ENGINEERS, INC.  
900 West Trade St., Suite 715  
Charlotte, NC 28202  
NC License Number F-0991

DOCUMENT NOT CONSIDERED FINAL UNLESS ALL SIGNATURES COMPLETED

STATE OF NORTH CAROLINA  
DEPARTMENT OF TRANSPORTATION  
RALEIGH

**PLAN OF 40' UNIT  
27'-10" CLEAR ROADWAY  
90° SKEW  
(SPANS A & C)**

DRAWN BY : WAW	DATE : 10-19
CHECKED BY : JWJ	DATE : 12-19
DESIGN ENGINEER OF RECORD : JWJ	DATE : 4-20
DRAWN BY : DGE 3/09	REV. 12/5/11 MAA/AAC
CHECKED BY : BCH 3/09	REV. 8/14 MAA/TMG

REVISIONS					SHEET NO.
NO.	BY:	DATE:	NO.	BY:	DATE:
1			3		
2			4		

TOTAL SHEETS 21