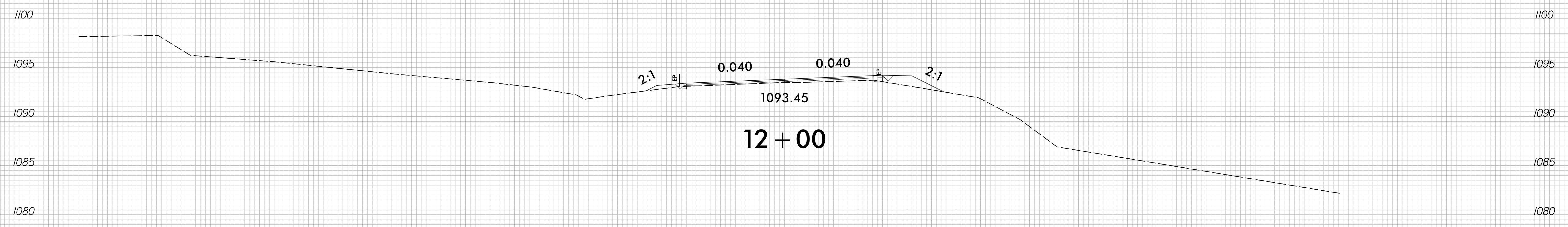
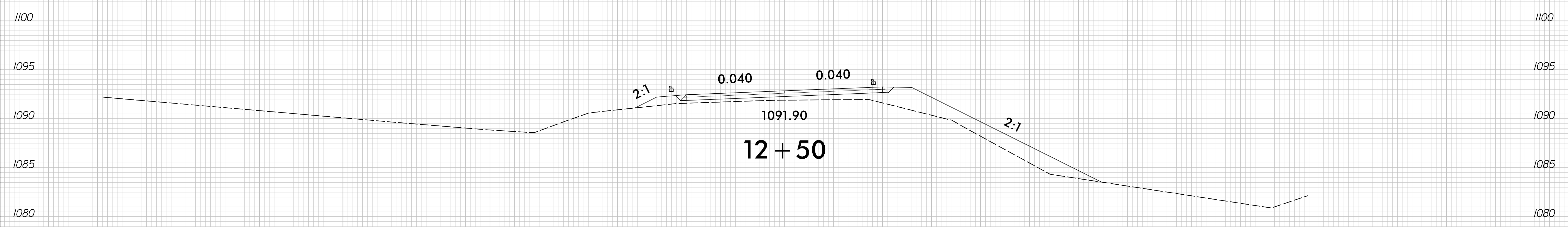
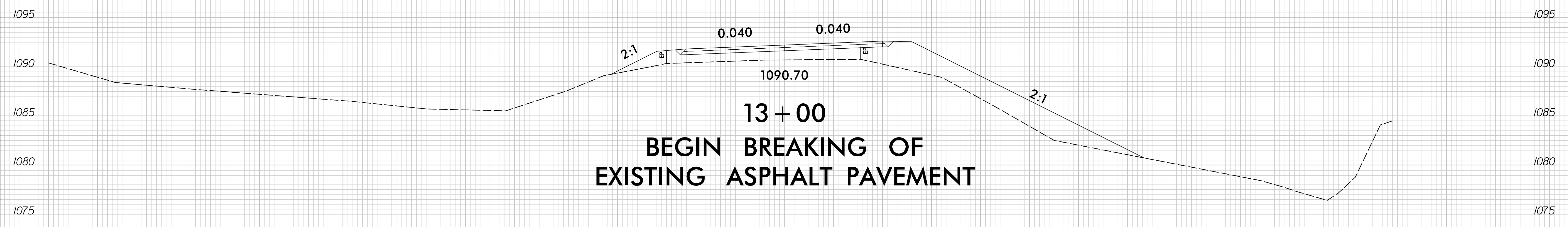


6/23/16

0 2.5 5	PROJ. REFERENCE NO. BR-0124	SHEET NO. X-2
---------	--------------------------------	------------------

75 70 65 60 55 50 45 40 35 30 25 20 15 10 5 0 5 10 15 20 25 30 35 40 45 50 55 60 65 70 75



75 70 65 60 55 50 45 40 35 30 25 20 15 10 5 0 5 10 15 20 25 30 35 40 45 50 55 60 65 70 75

11/9/2020
F:\Roadway\Corridor-Modeling\BR-0124_rdy_xpl.dgn
Plan

