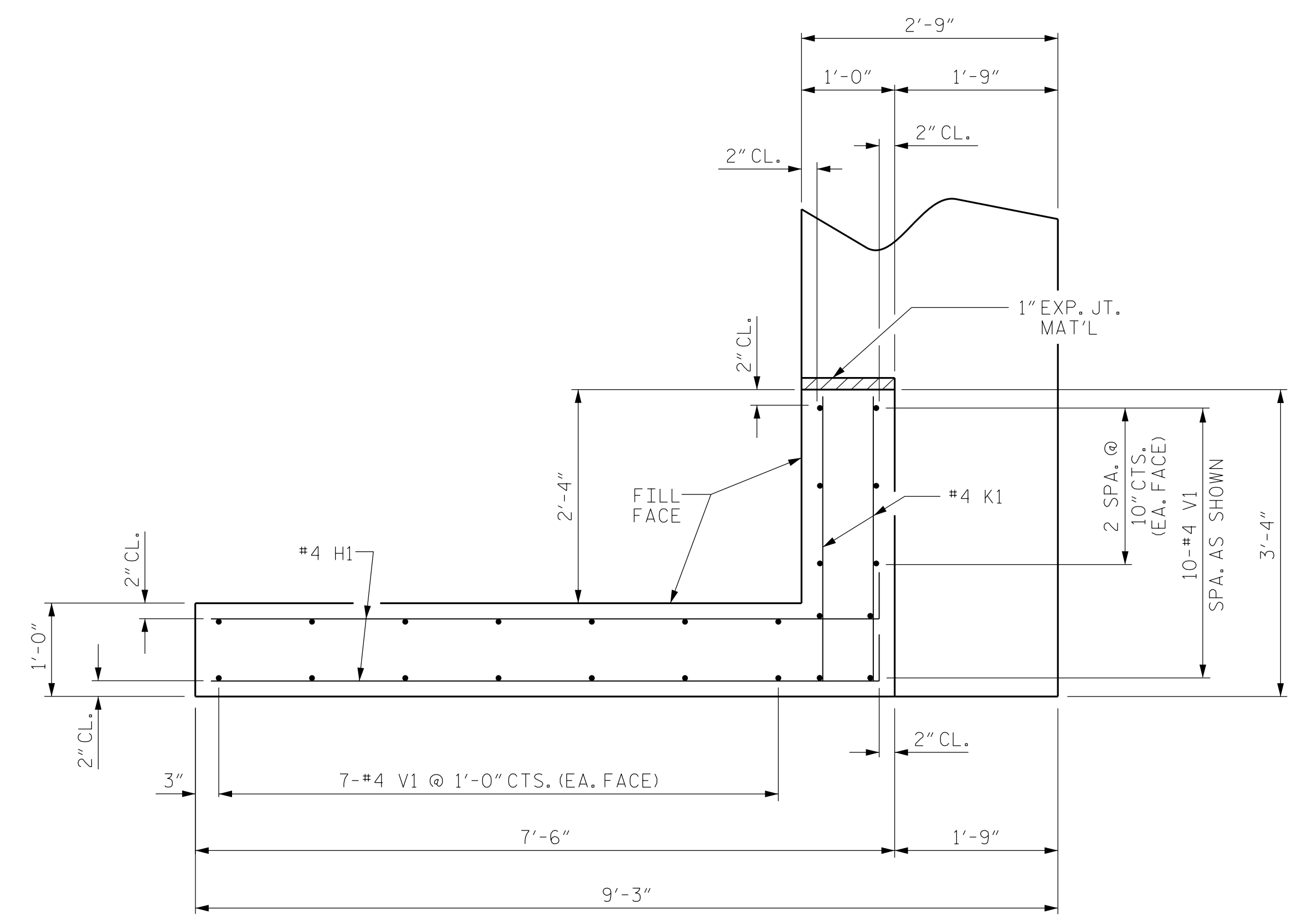
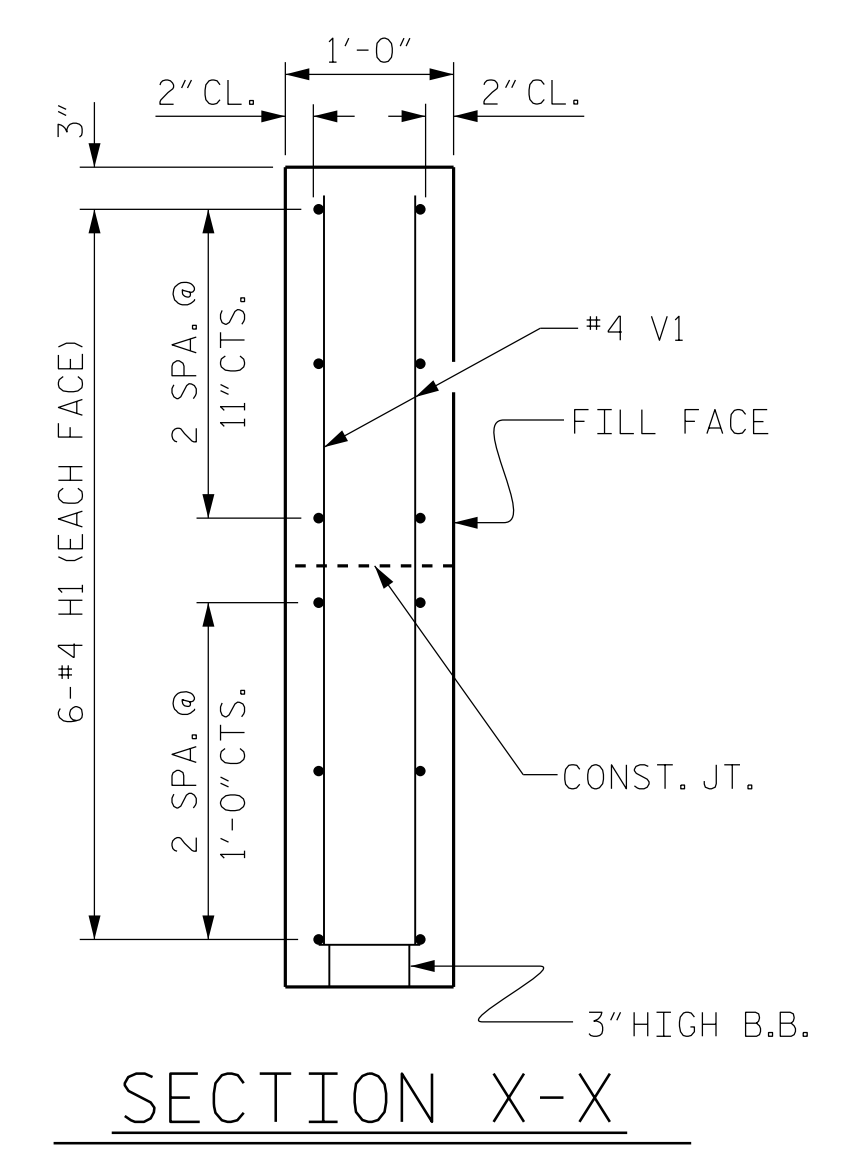


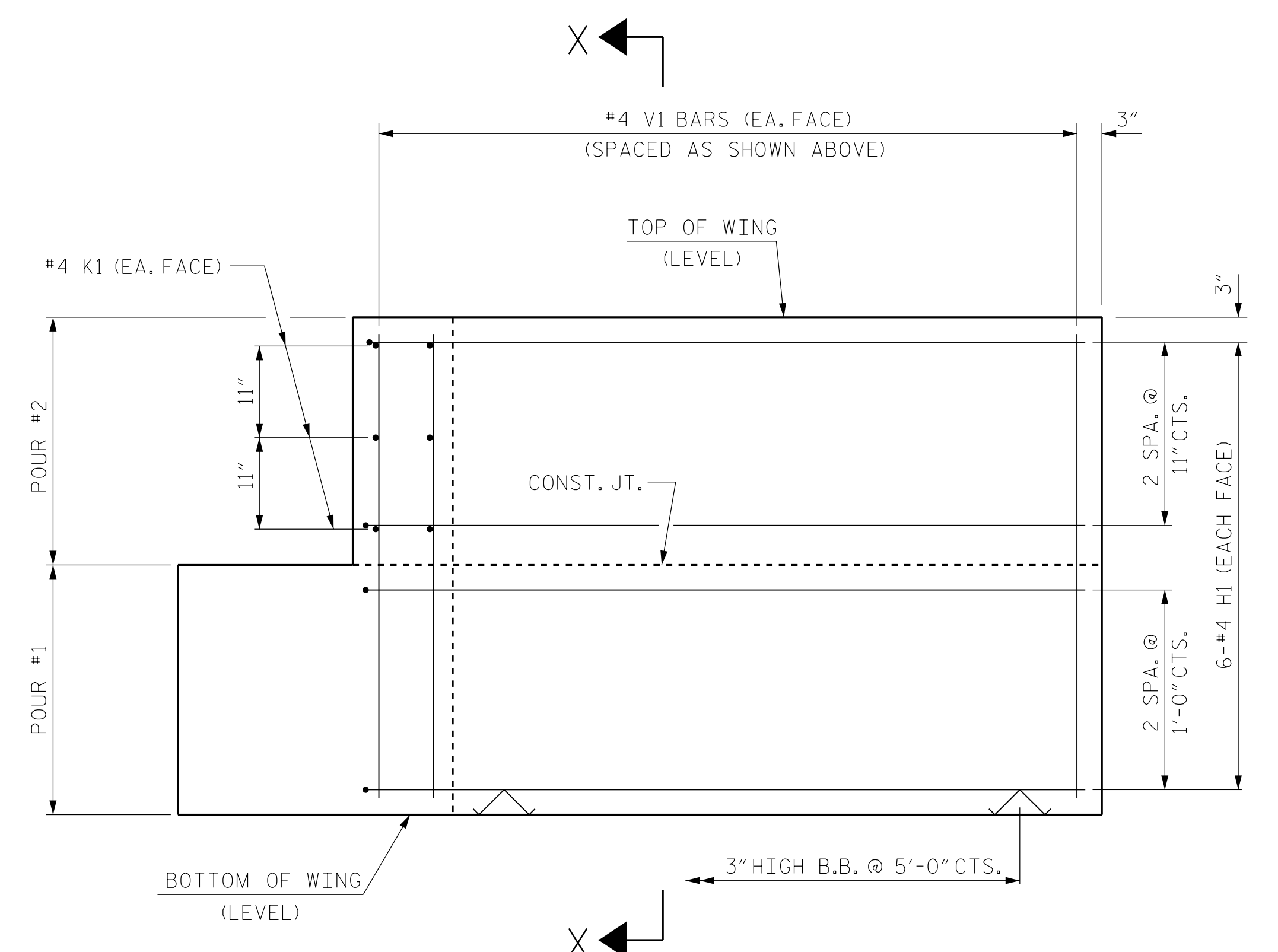
PLAN OF WING (W1)



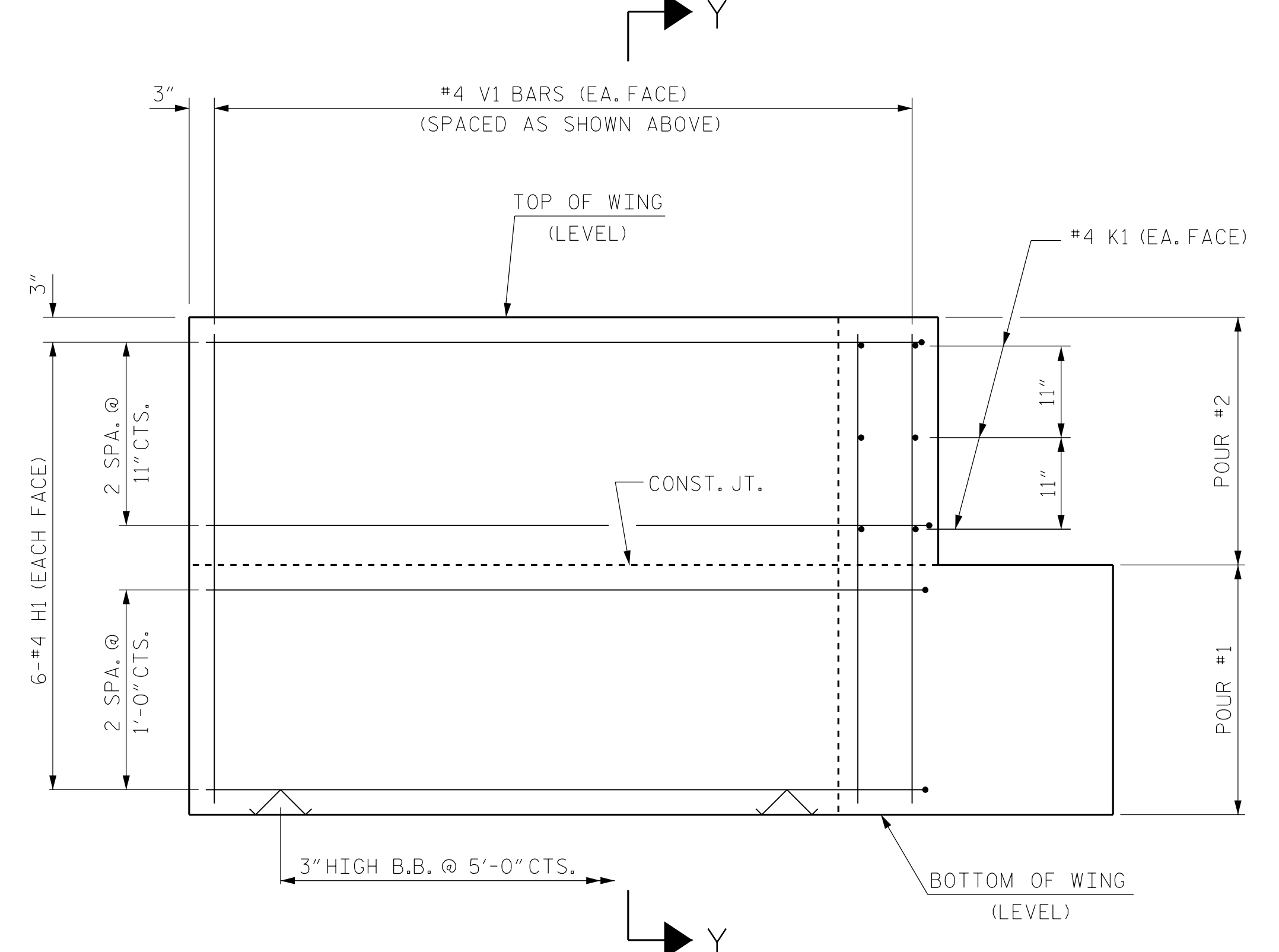
PLAN OF WING (W2)



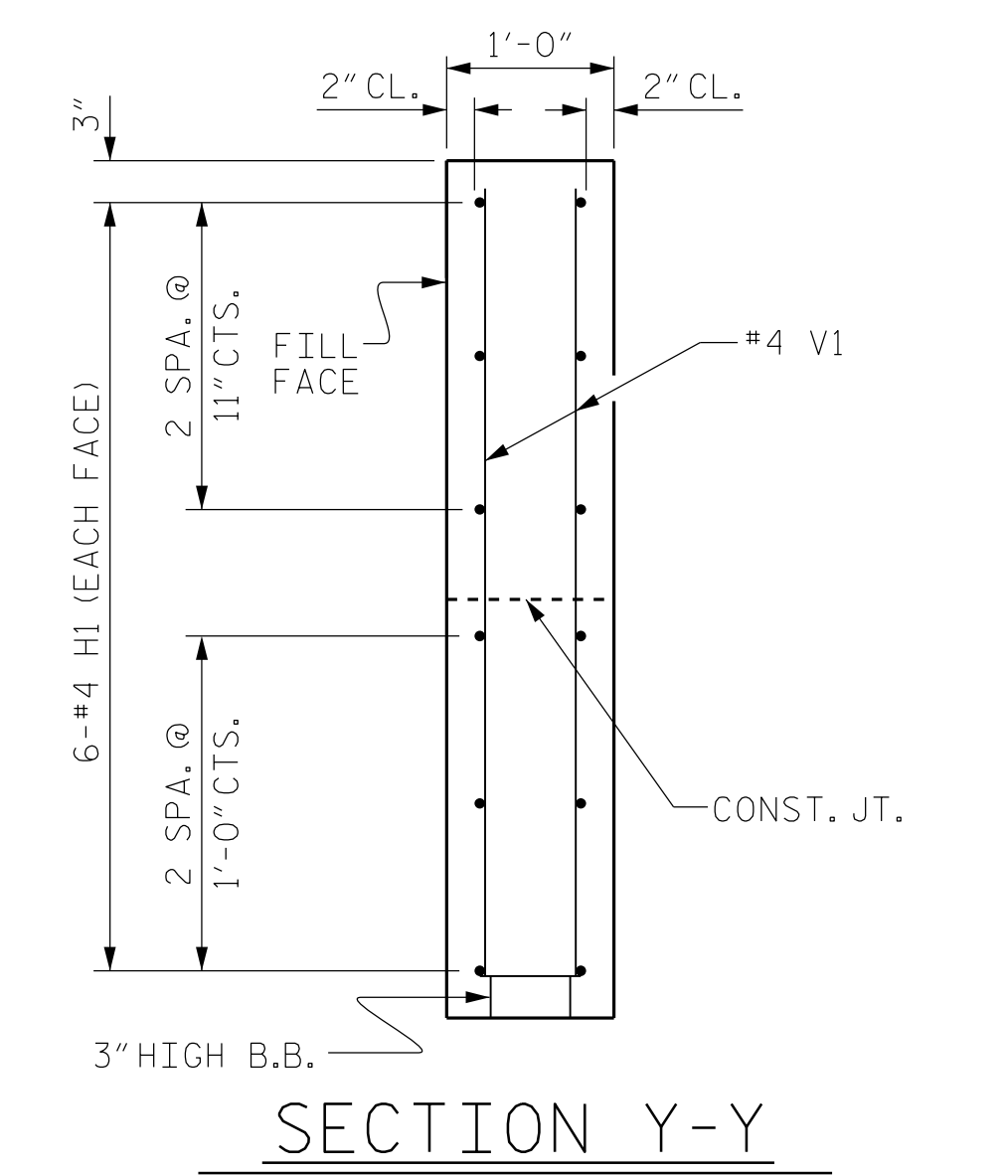
SECTION X-X



ELEVATION OF WING (W1)



ELEVATION OF WING (W2)



SECTION Y-Y

WING DETAILS

DESIGN ENGINEER OF RECORD: JACOB H. DUKE DATE: 12/2019	
ASSEMBLED BY: FIDEL L. FLORES DATE: 12/2019	CHECKED BY: OMAR M. KHALAFALLA DATE: 12/2019
DRAWN BY: DGE 02/10	CHECKED BY: MKT 02/10
REV. 4/15	MAA/TMG

2/21/2020
BR-0118.SMU.E03.650093.dgn
jduke

DOCUMENT NOT CONSIDERED
FINAL UNLESS ALL
SIGNATURES COMPLETED



PROJECT NO. BR-0118
NORTHAMPTON COUNTY
STATION: STA. 13+92.37 -L-
SHEET 3 OF 4

STATE OF NORTH CAROLINA DEPARTMENT OF TRANSPORTATION RALEIGH					
SUBSTRUCTURE END BENT WING DETAILS					
REVISIONS					
NO.	BY:	DATE:	NO.	BY:	DATE:
1			3		
2			4		
					SHEET NO. S-10
					TOTAL SHEETS 13