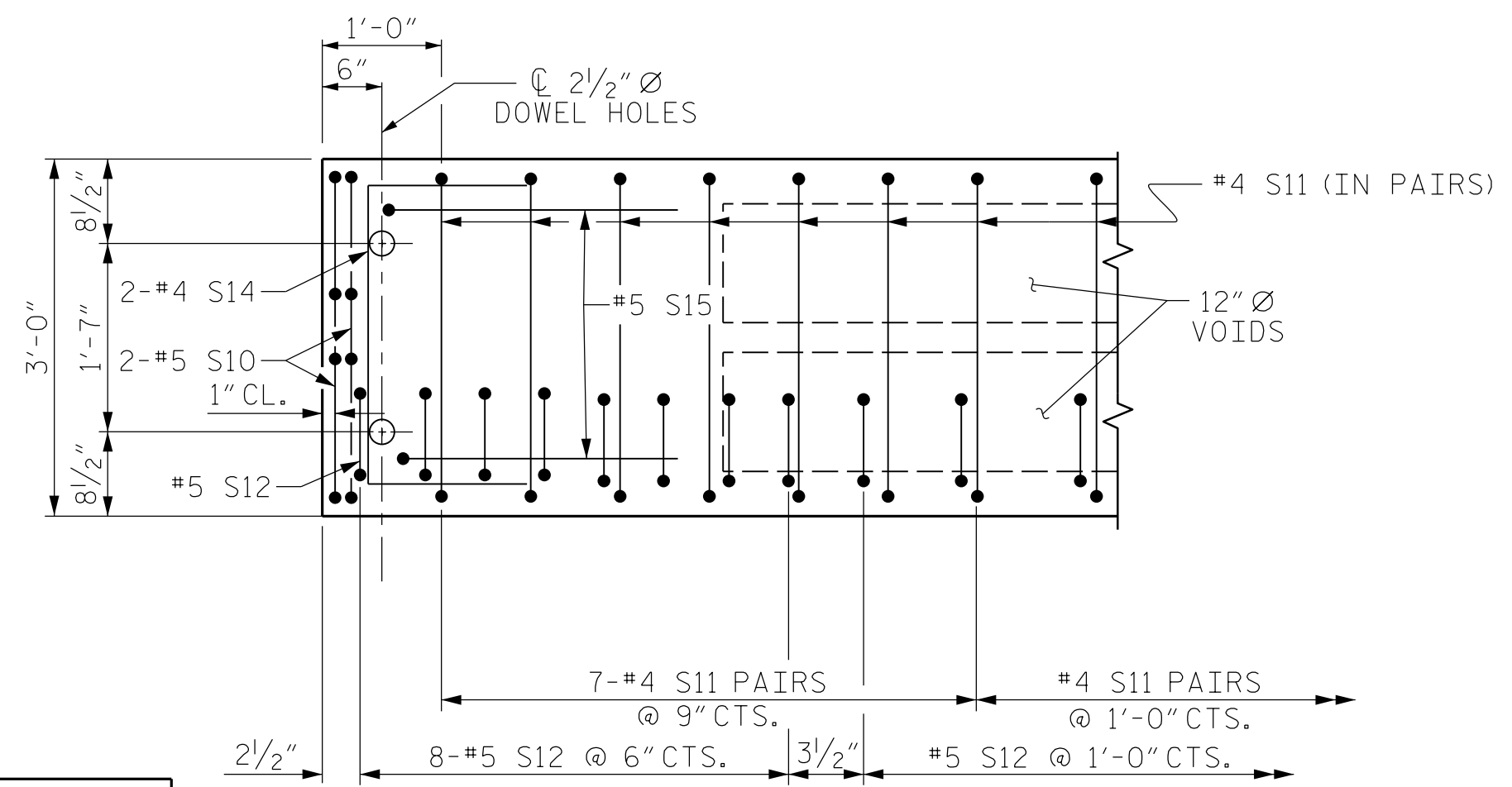
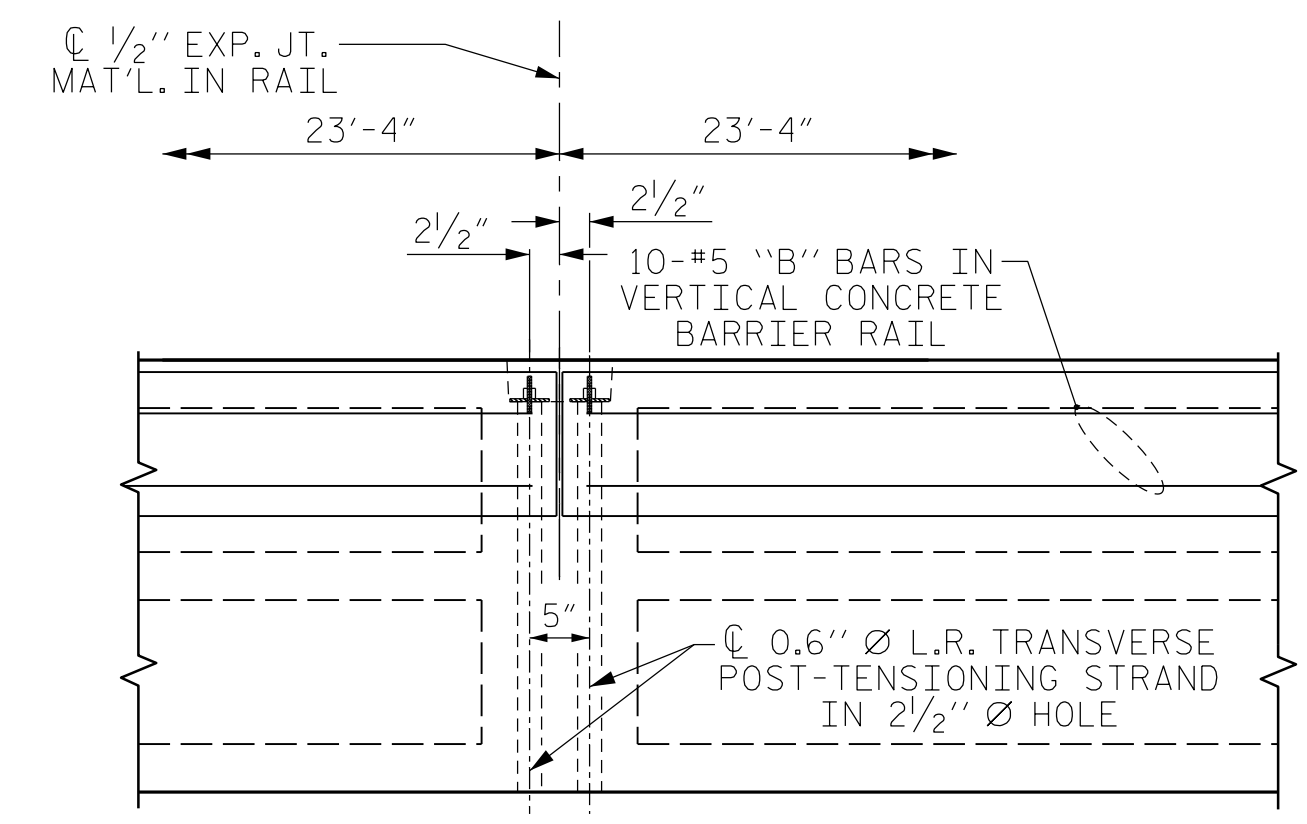


PLAN OF UNIT



DETAIL "A"

(TYPICAL EACH END OF UNIT)  
NOTE: EXTERIOR UNIT SHOWN - INTERIOR UNIT SIMILAR EXCEPT OMIT #5 S12 BARS.

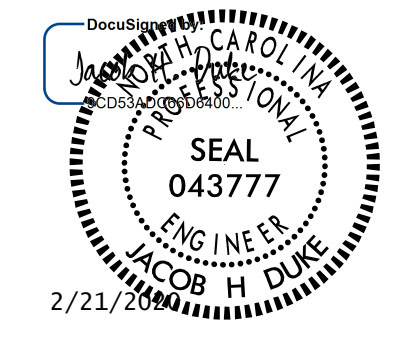


DETAIL "B"

#4 S11 BARS MAY BE SHIFTED AS NECESSARY TO MAINTAIN 1" CLEAR TO GROUDED RECESS AND 2 1/2" Ø TRANSVERSE POST-TENSIONING STRAND HOLES

DESIGN ENGINEER OF RECORD: JACOB H. DUKE DATE: 12-2019		
ASSEMBLED BY: FIDEL L. FLORES DATE: 12-2019		
CHECKED BY: OMAR M. KHALAFALLA DATE: 12-2019		
DRAWN BY: MAA 6/10	REV. 12/5/11	MAA/AAC
CHECKED BY: MKT 7/10	REV. 8/14	MAA/TMG

2/21/2020  
BR-0118.SMU.CS02.650093.dgn  
jduke



PROJECT NO. BR-0118  
NORTHAMPTON COUNTY  
STATION: STA. 13+92.37 -L-  
SHEET 2 OF 3

STATE OF NORTH CAROLINA  
DEPARTMENT OF TRANSPORTATION  
RALEIGH  
PLAN OF 70' UNIT  
27'-10" CLEAR ROADWAY  
90° SKEW  
SPAN "A"

REVISIONS						SHEET NO.
NO.	BY:	DATE:	NO.	BY:	DATE:	S-5
1			3			TOTAL SHEETS
2			4			13

DOCUMENT NOT CONSIDERED FINAL UNLESS ALL SIGNATURES COMPLETED