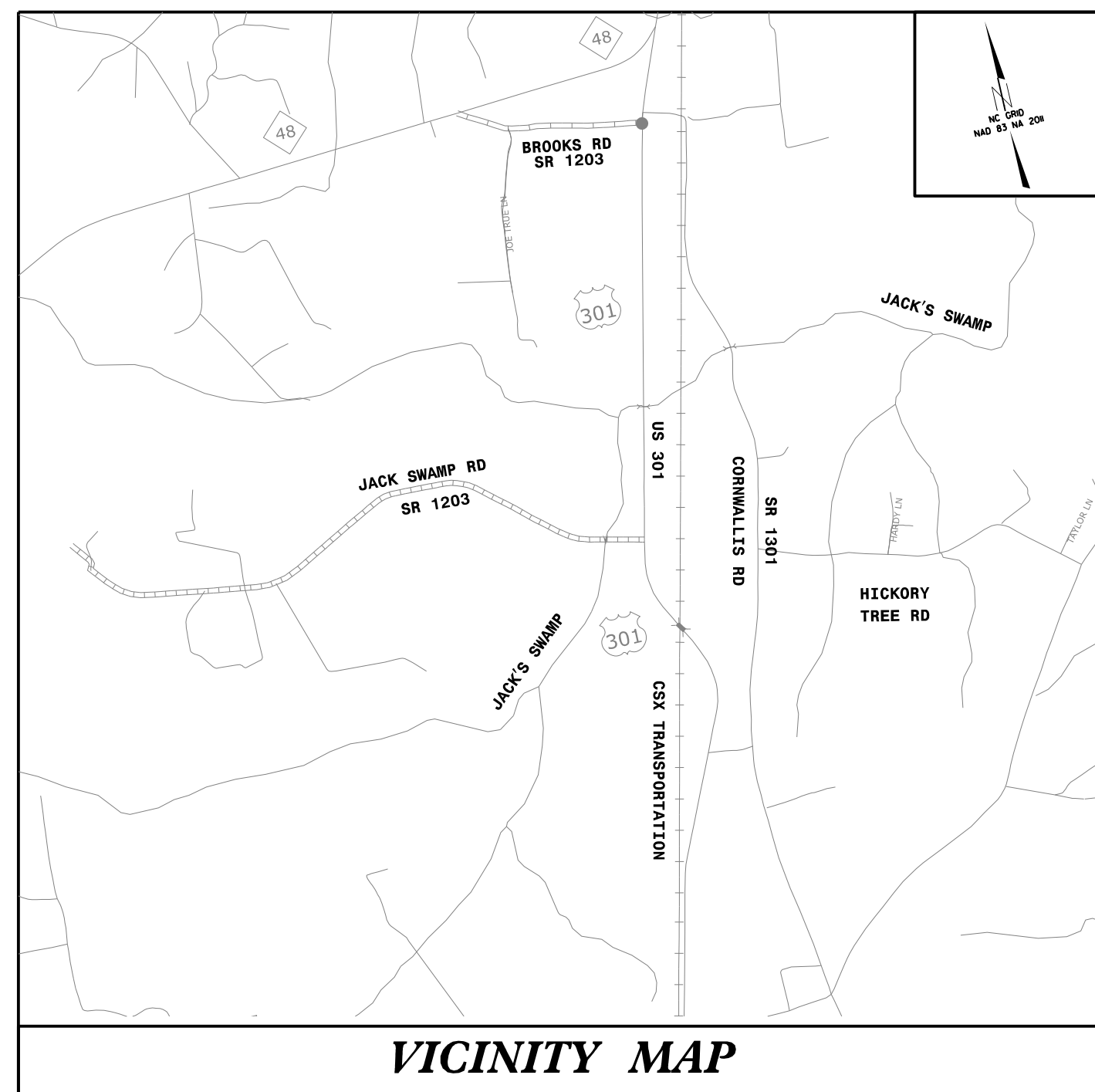


09.08/99

**TIP PROJECT: BR-0118**



STATE OF NORTH CAROLINA  
DIVISION OF HIGHWAYS

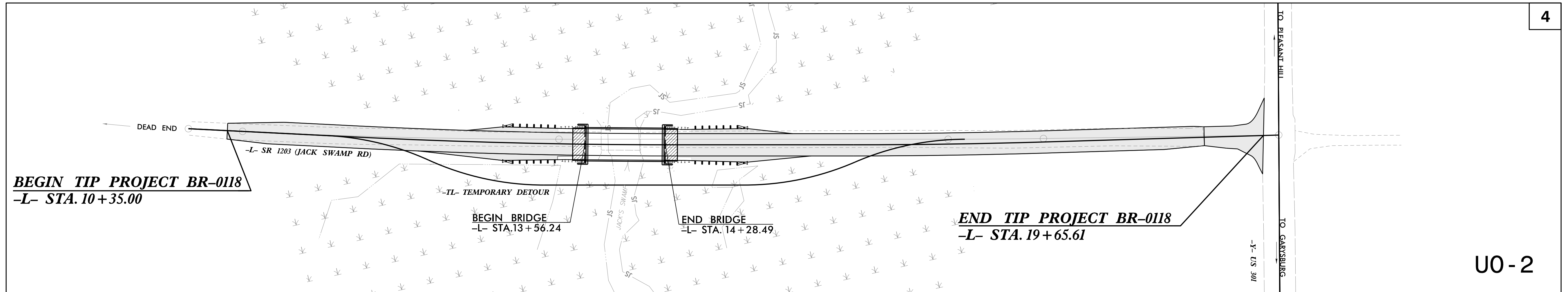
**UTILITIES BY OTHERS PLANS  
NORTHAMPTON COUNTY**

**LOCATION: BRIDGE 650093 ON SR 1203 (JACK SWAMP RD)  
OVER JACK'S SWAMP**

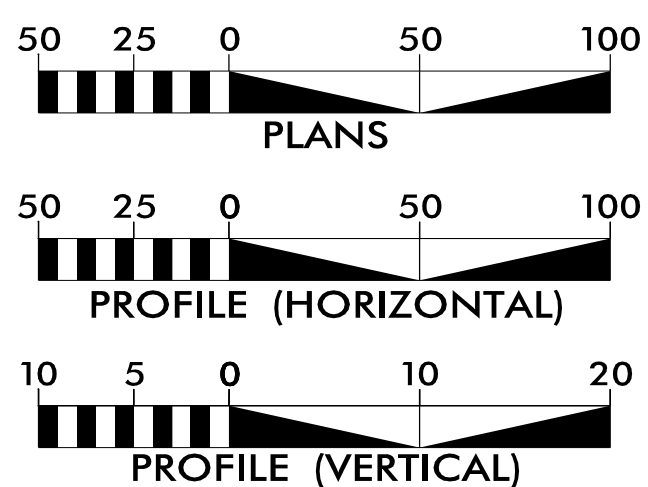
**TYPE OF WORK: COMMUNICATIONS RELOCATION**

T.I.P. NO.	SHEET NO.
<b>BR-0118</b>	<b>UO-1</b>

**NOTE:**  
ALL UTILITY WORK SHOWN ON THIS SHEET WILL BE DONE BY OTHERS. NO PAYMENT WILL BE MADE TO THE CONTRACTOR FOR UTILITY WORK SHOWN ON THIS SHEET.



**GRAPHIC SCALES**



**INDEX OF SHEETS**

SHEET NO.:	DESCRIPTION:
UO-1	TITLE SHEET
UO-02	UBO PLAN SHEETS

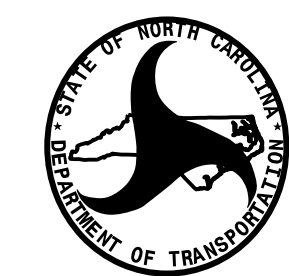
**UTILITY OWNERS WITH CONFLICTS**

(A) COMMUNICATIONS - CENTURYLINK

PREPARED IN THE OFFICE OF:



NC FIRM LICENSE No: C-1506  
301 Fayetteville St.,  
Suite 1500  
Raleigh, NC 27601  
(919) 882-7839



**DIVISION OF HIGHWAYS  
UTILITIES UNIT**  
1555 MAIL SERVICES CENTER  
RALEIGH, NC 27699-1555  
PHONE (919) 707-6690  
FAX (919) 250-4151

**SAM CULLUM, P.E.** UTILITY PROJECT MANAGER  
**AARON PIPPIN** PROJECT UTILITY COORDINATOR

**NABIL HAMDAN** UTILITIES REGIONAL ENGINEER  
**KIFAH KAMIL** UTILITIES ENGINEER  
**KYLE PLEASANT** UTILITIES AREA COORDINATOR  
**LARRY JAMES** UTILITIES COORDINATOR