

JOHN MCNULTY
EROSION CONTROL
LEVEL III
CERTIFICATION #4263

DOCUMENT NOT CONSIDERED FINAL
UNLESS ALL SIGNATURES COMPLETED

PREPARED IN THE OFFICE OF: **KCA**
KISINGER CAMPO & ASSOCIATES
NC FIRM LICENSE NO. C-1508
301 Fayetteville St., Suite 1500
Raleigh, NC 27601
(919)862-7839

- NOTES:
1. THE CONTRACTOR SHALL INSTALL SPECIAL SEDIMENT CONTROL FENCE OR WATTLES IN LOW AREAS OF SILT FENCE AND UNDER THE BRIDGE, AS NEEDED OR DIRECTED BY THE ENGINEER.
 2. THE OUTSIDE BUFFER WETLAND OR WATER BOUNDARY SHALL BE CLEARLY MARKED BY HIGHLY VISIBLE FENCING (ORANGE SAFETY FENCE).
 3. IMPERVIOUS DIKE MAY BE MODIFIED AND/OR ELIMINATED AS DIRECTED.

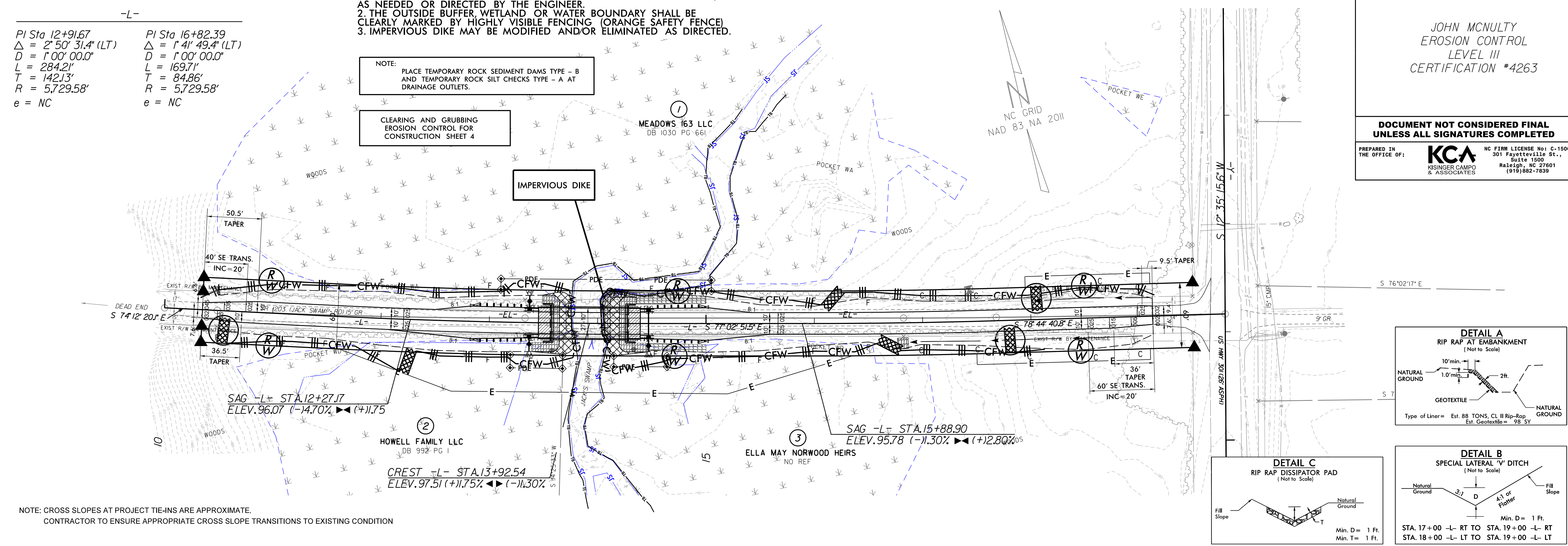
-L-
PI Sta 12+91.67 Δ = 2°50'31.4" (LT)
D = 1°00'00.0"
L = 284.21'
T = 142.13'
R = 5,729.58'
e = NC

PI Sta 16+82.39 Δ = 1°41'49.4" (LT)
D = 1°00'00.0"
L = 169.71'
T = 84.86'
R = 5,729.58'
e = NC

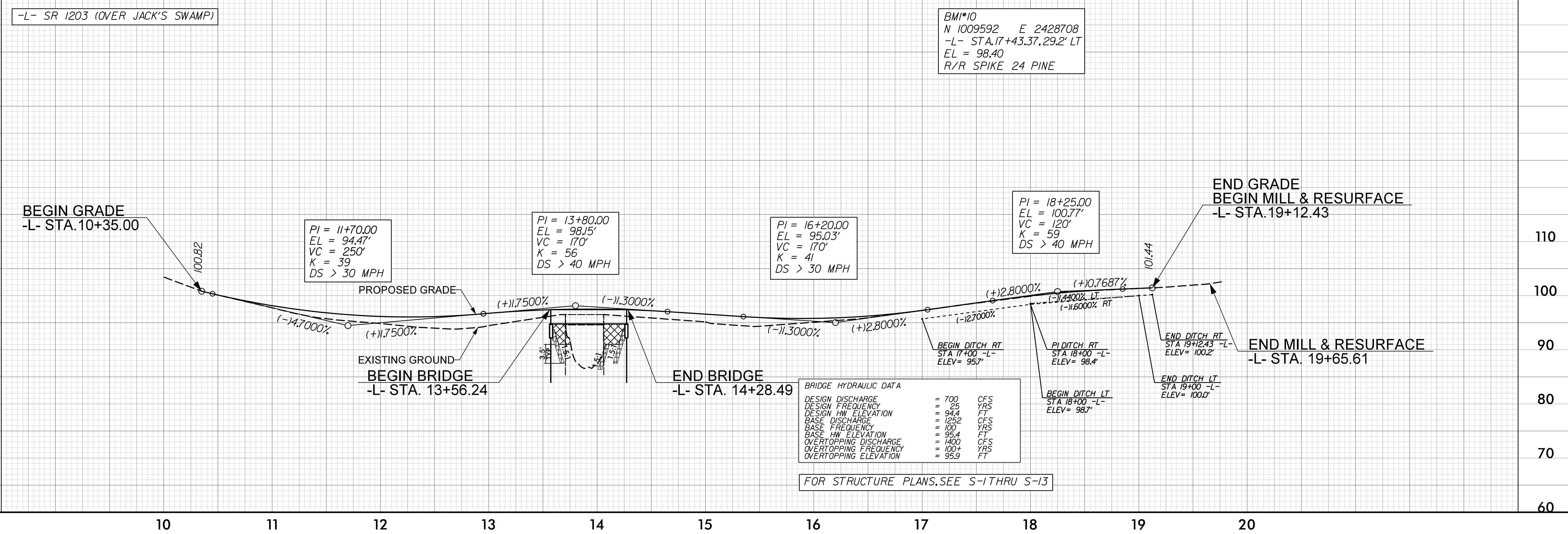
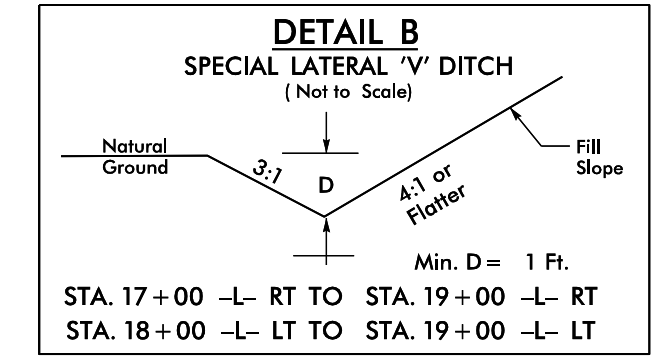
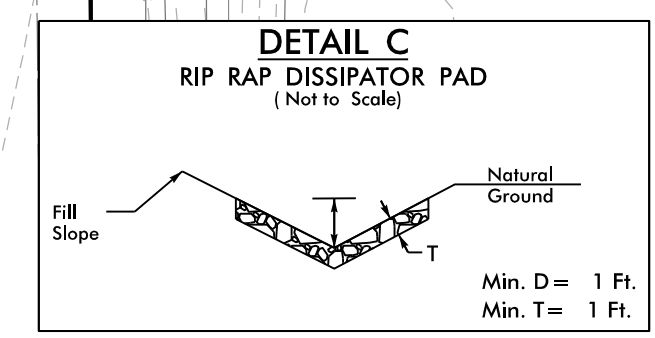
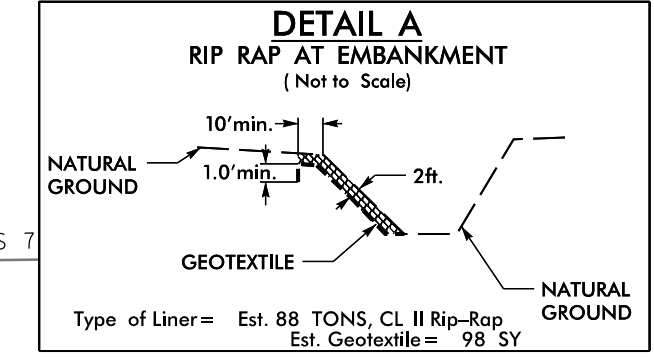
NOTE: PLACE TEMPORARY ROCK SEDIMENT DAMS TYPE - B AND TEMPORARY ROCK SILT CHECKS TYPE - A AT DRAINAGE OUTLETS.

CLEARING AND GRUBBING EROSION CONTROL FOR CONSTRUCTION SHEET 4

IMPERVIOUS DIKE



NOTE: CROSS SLOPES AT PROJECT TIE-INS ARE APPROXIMATE.
CONTRACTOR TO ENSURE APPROPRIATE CROSS SLOPE TRANSITIONS TO EXISTING CONDITION



FOR STRUCTURE PLANS, SEE S-1 THRU S-13

REVISIONS

12-FEB-2020 14:23 G:\4201726\XX_S\U-Build Grant\BR-0118.D\Northampton_93\Hydraulics\CADD\EROSION_CONTROL\BR-0118_EC_psb.dgn