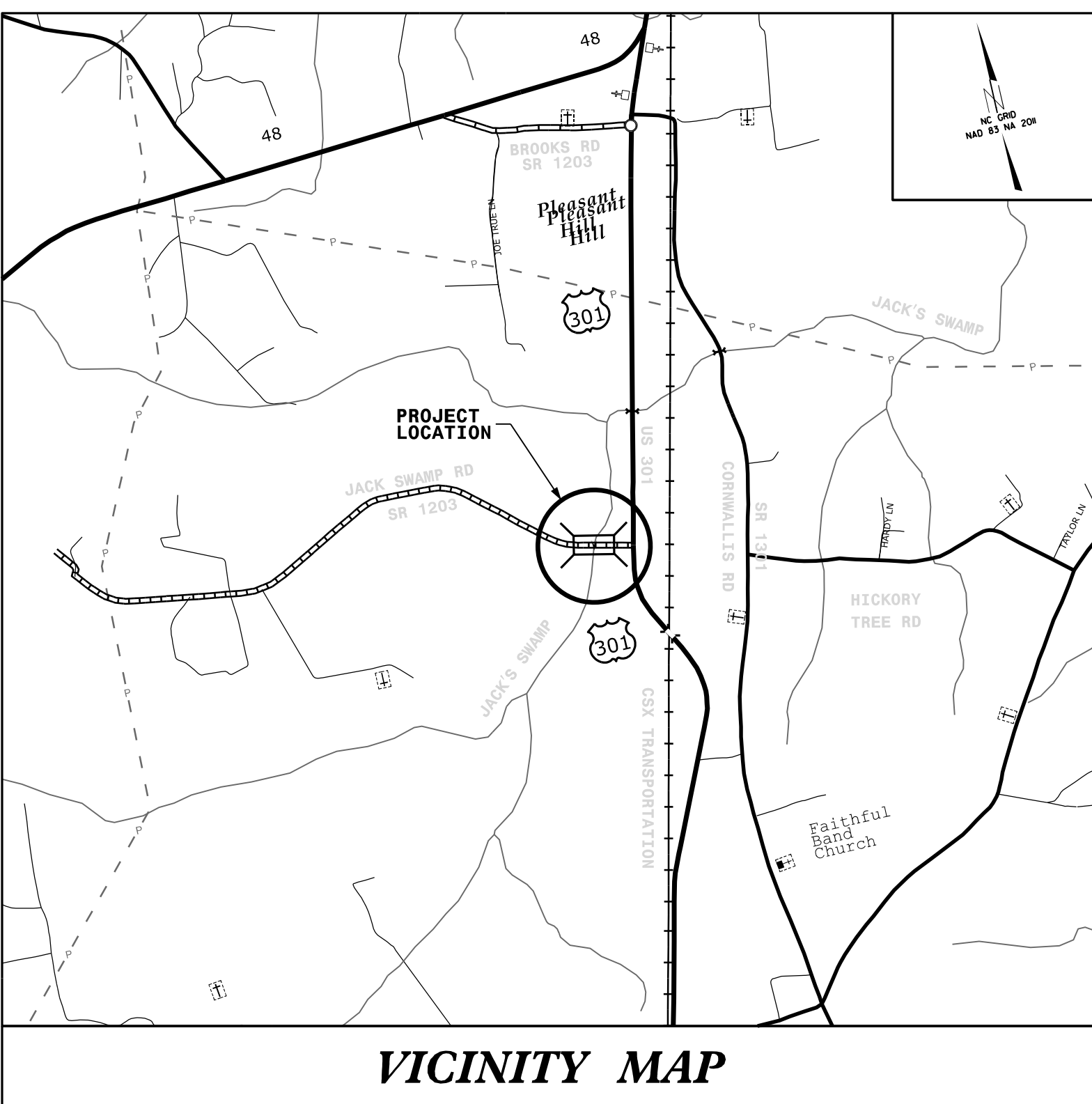


09.08/99

See Sheet 1A For Index of Sheets

TIP PROJECT: BR-0118



VICINITY MAP

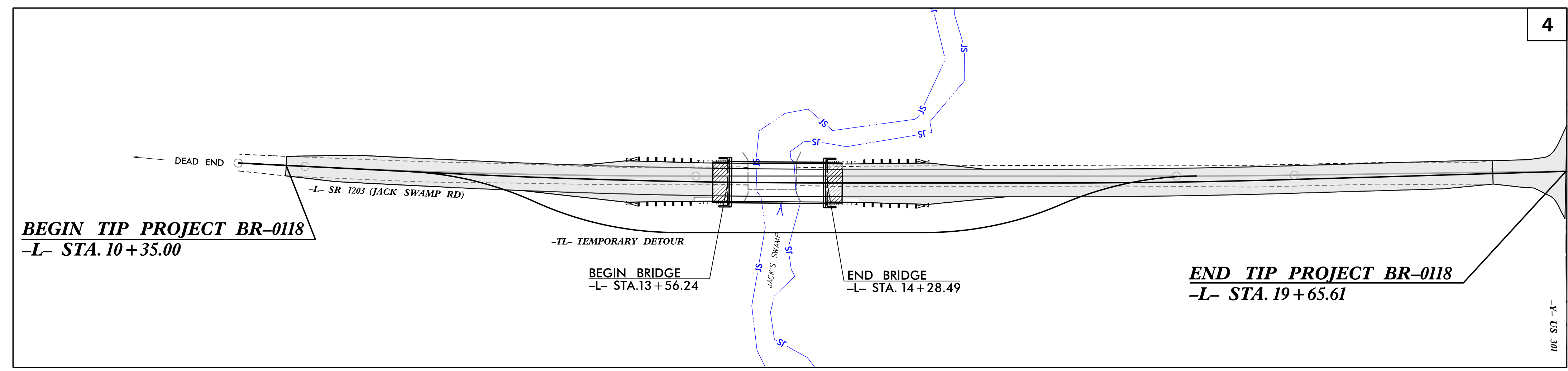
STATE OF NORTH CAROLINA  
 DIVISION OF HIGHWAYS  
 NORTHAMPTON COUNTY  
 PLAN FOR PROPOSED  
 HIGHWAY EROSION CONTROL

LOCATION: BRIDGE 650093 ON SR 1203 (JACK SWAMP RD)  
 OVER JACK'S SWAMP

TYPE OF WORK: GRADING, DRAINAGE, PAVING AND STRUCTURE

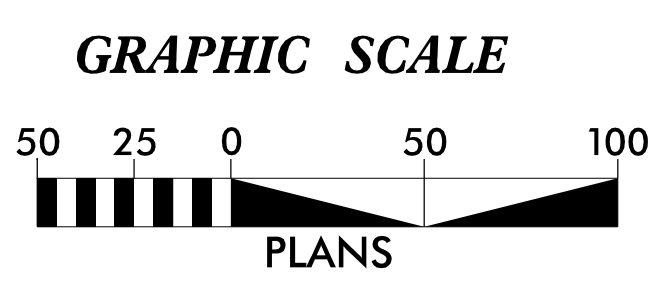
STATE	STATE PROJECT REFERENCE NO.	SHEET NO.	TOTAL SHEETS
N.C.	BR-0118	EC-1	
STATE PROJ. NO.	F.A. PROJ. NO.	DESCRIPTION	
48827.1.1	N/A	PE	
48827.2.1	N/A	RW, UTILITIES	
48827.3.1	2020001	CONSTRUCTION	

Std. #	Description	Symbol
1630.03	Temporary Silt Ditch	750
1630.05	Temporary Diversion	TD
1605.01	Temporary Silt Fence	III III III
1606.01	Special Sediment Control Fence	III III III
1622.01	Temporary Berms and Slope Drains	III III III
1630.02	Silt Basin Type B	III III III
1633.01	Temporary Rock Silt Check Type-A	III III III
	Temporary Rock Silt Check Type-A with Matting and Polyacrylamide (PAM)	III III III
1633.02	Temporary Rock Silt Check Type-B	III III III
	Wattle / Coir Fiber Wattle	III III III
	Wattle / Coir Fiber Wattle with Polyacrylamide (PAM)	III III III
1634.01	Temporary Rock Sediment Dam Type-A	III III III
1634.02	Temporary Rock Sediment Dam Type-B	III III III
1635.01	Rock Pipe Inlet Sediment Trap Type-A	III III III
1635.02	Rock Pipe Inlet Sediment Trap Type-B	III III III
1630.04	Stilling Basin	III III III
1630.06	Special Stilling Basin	III III III
	Rock Inlet Sediment Trap:	
1632.01	Type A	A
1632.02	Type B	B
1632.03	Type C	C
	Skimmer Basin	III III III
	Tiered Skimmer Basin	III III III
	Infiltration Basin	III III III



THIS PROJECT CONTAINS  
 EROSION CONTROL PLANS  
 FOR CLEARING AND  
 GRUBBING PHASE OF  
 CONSTRUCTION.

CLEARING ON THIS PROJECT SHALL BE PERFORMED TO THE LIMITS ESTABLISHED BY METHOD II  
 THIS PROJECT IS NOT LOCATED WITHIN MUNICIPAL BOUNDARIES.  
 THIS IS NOT A CONTROL OF ACCESS PROJECT.



THESE EROSION AND SEDIMENT CONTROL PLANS COMPLY WITH  
 THE APPLICABLE REGULATIONS SET FORTH BY THE NCG-010000  
 GENERAL CONSTRUCTION PERMIT EFFECTIVE APRIL 1, 2019  
 AND ISSUED BY THE NORTH CAROLINA DEPARTMENT OF  
 ENVIRONMENTAL QUALITY DIVISION OF WATER RESOURCES.

Prepared in the Office of:  
**KCA**  
 KISINGER CAMPO & ASSOCIATES  
 NC FIRM LICENSE No: C-1506  
 301 Fayetteville St.,  
 Suite 1500  
 Raleigh, NC 27601  
 (919) 882-7839

Designed by:  
**JOHN MCNULTY** 4263  
 NAME LEVEL III CERTIFICATION NO.

Roadway Standard Drawings

The following roadway english standards as appear in "Roadway Standard Drawings"- Roadway Design Unit - N. C. Department of Transportation - Raleigh, N. C., dated January 2018 and the latest revision thereto are applicable to this project and by reference hereby are considered a part of these plans.

1604.01 Railroad Erosion Control Detail	1632.01 Rock Inlet Sediment Trap Type A
1605.01 Temporary Silt Fence	1632.02 Rock Inlet Sediment Trap Type B
1606.01 Special Sediment Control Fence	1632.03 Rock Inlet Sediment Trap Type C
1607.01 Gravel Construction Entrance	1633.01 Temporary Rock Silt Check Type A
1622.01 Temporary Berms and Slope Drains	1633.02 Temporary Rock Silt Check Type B
1630.01 Riser Basin	1634.01 Temporary Rock Sediment Dam Type A
1630.02 Silt Basin Type B	1634.02 Temporary Rock Sediment Dam Type B
1630.03 Temporary Silt Ditch	1635.01 Rock Pipe Inlet Sediment Trap Type A
1630.04 Stilling Basin	1635.02 Rock Pipe Inlet Sediment Trap Type B
1630.05 Temporary Diversion	1640.01 Coir Fiber Baffle
1630.06 Special Stilling Basin	1645.01 Temporary Stream Crossing
1631.01 Matting Installation	

19-FEB-2020 14:24 G:\4201720\XX\SMU-Build Grant\BR-0118-DL\Northampton 93\Hydraulics\CADD\EROSION CONTROL\BR-0118\_EC.t sh.dgn nking AT KCA0173