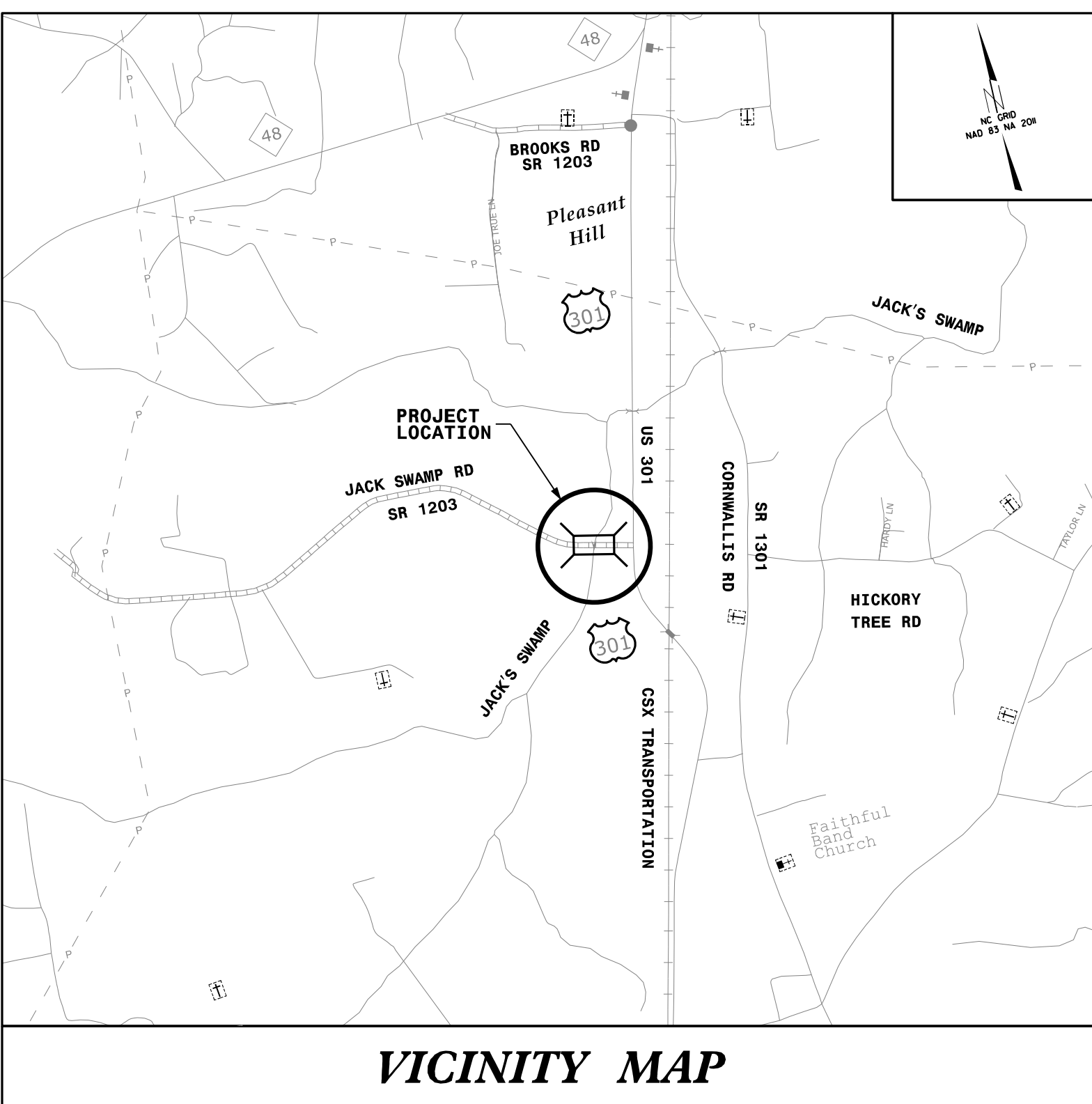


09/08/20

**TIP PROJECT: BR-0118**

**CONTRACT: C204530**

See Sheet 1A For Index of Sheets



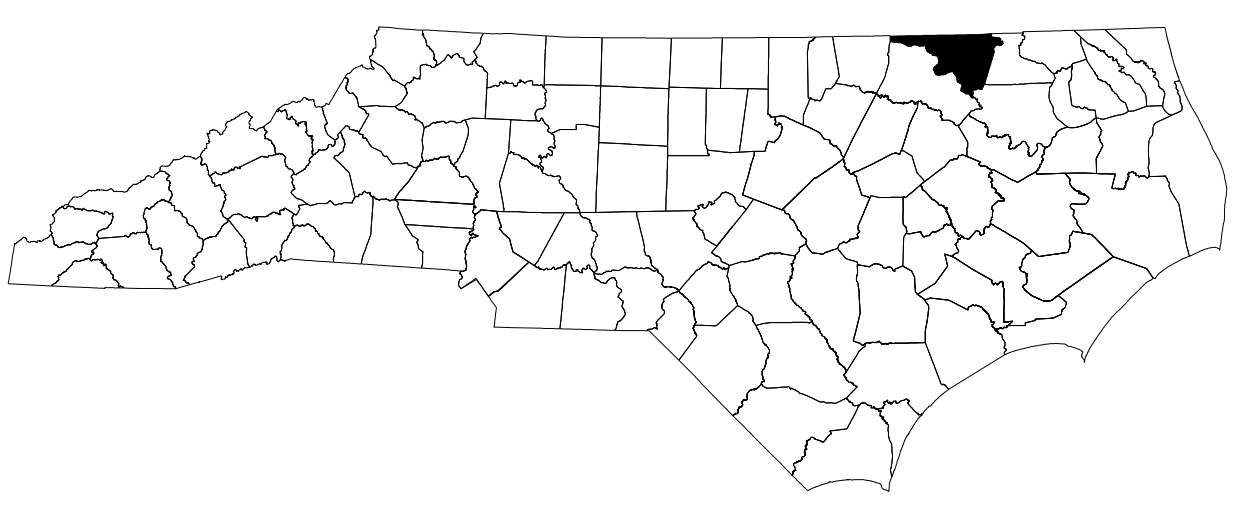
**VICINITY MAP**

STATE OF NORTH CAROLINA  
DIVISION OF HIGHWAYS

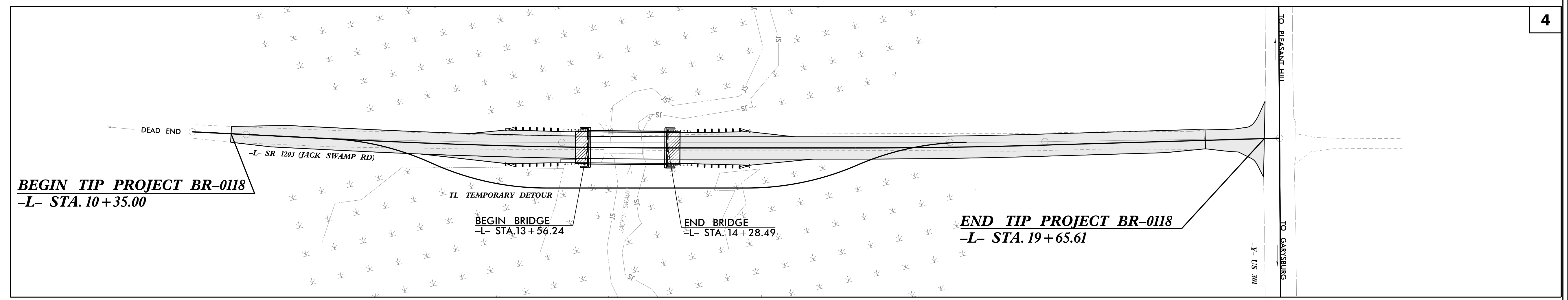
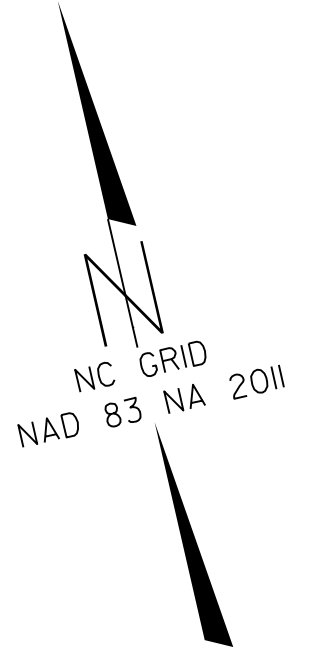
**NORTHAMPTON COUNTY**

**LOCATION: BRIDGE 65093 ON SR 1203 (JACK SWAMP RD)  
OVER JACK'S SWAMP**

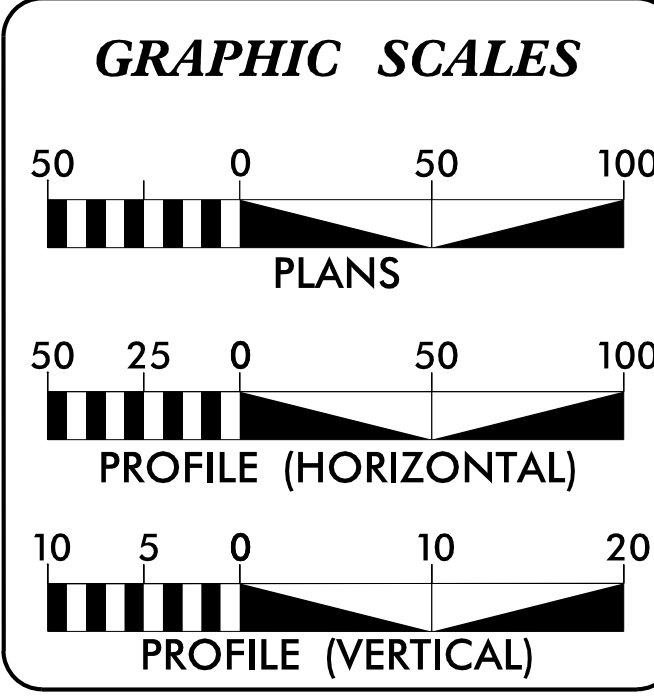
**TYPE OF WORK: GRADING, DRAINAGE, PAVING AND STRUCTURE**



STATE	STATE PROJECT REFERENCE NO.	SHEET NO.	TOTAL SHEETS
N.C.	<b>BR-0118</b>	<b>1</b>	
STATE PROJ. NO.	F.A. PROJ. NO.	DESCRIPTION	
48827.1.1	N/A	PE	
48827.2.1	N/A	R/W, UTILITIES	
48827.3.1	2020001	CONSTRUCTION	



DOCUMENT NOT CONSIDERED FINAL  
UNLESS ALL SIGNATURES COMPLETED



**DESIGN DATA**

ADT 2020 =	50
ADT 2040 =	50
V =	30 MPH
T =	6% *
*TTST 3% + DUAL 3%	
FUNC CLASS =	LOCAL RURAL
SUB-REGIONAL TIER	

**PROJECT LENGTH**

LENGTH ROADWAY TIP PROJECT BR-0118	=	0.162 MILES
LENGTH STRUCTURES TIP PROJECT BR-0118	=	0.014 MILES
TOTAL LENGTH TIP PROJECT BR-0118	=	0.176 MILES

**NCDOT CONTACT:** DAVID STUTTS, PE  
SMU PROJECT MANAGER

**KCA**  
KISINGER CAMPO & ASSOCIATES  
2018 STANDARD SPECIFICATIONS

NC FIRM LICENSE No: C-1506  
301 Fayetteville St., Suite 1500  
Raleigh, NC 27601  
(919)882-7839

**RIGHT OF WAY DATE:** JANUARY 8, 2020

**LETTING DATE:** DECEMBER 15, 2020

**JOHN P. MAZERES, PE**  
PROJECT ENGINEER

**ANDREA B. JENSEN, EI**  
PROJECT DESIGN ENGINEER

**HYDRAULICS ENGINEER**

DocuSigned by: Erik Aadland 9/18/2020  
ABAD57AF79E4CE  
SIGNATURE: P.E.

**ROADWAY DESIGN ENGINEER**

DocuSigned by: John P. Mazer 9/18/2020  
C8DF155E07946E  
SIGNATURE: P.E.

