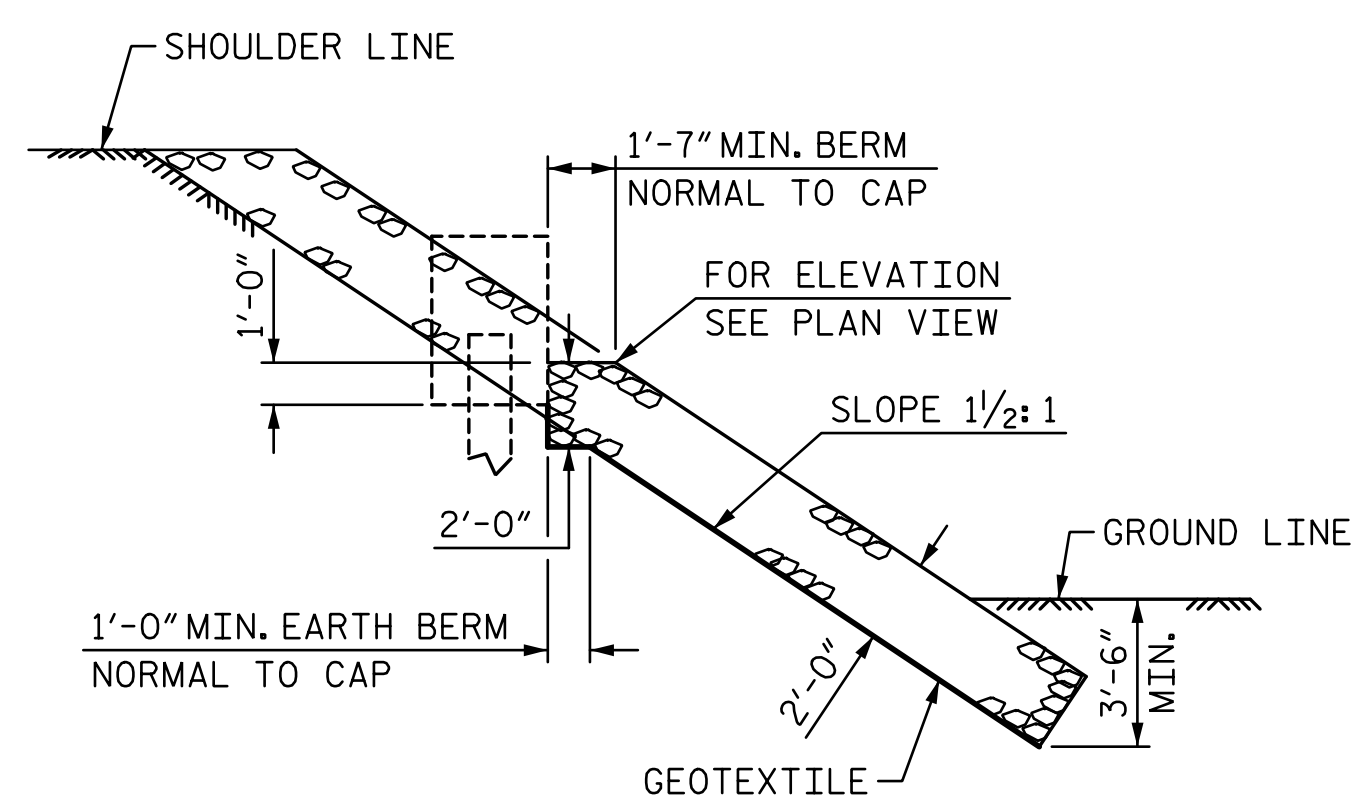


END BENT 1

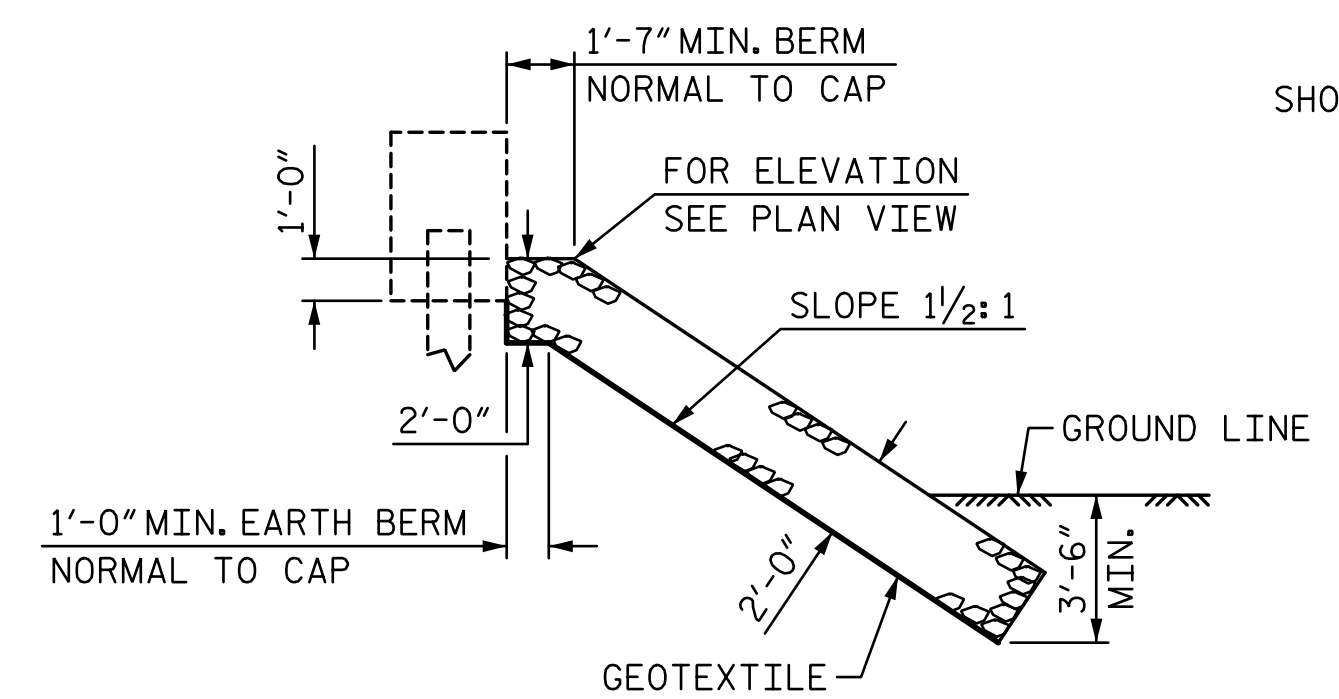
END BENT 2

PLAN

ESTIMATED QUANTITIES		
BRIDGE @ STA. 15+74.00 -L-	RIP RAP CLASS II (2'-0" THICK)	GEOTEXTILE FOR DRAINAGE
	TONS	SQUARE YARDS
END BENT 1	125	140
END BENT 2	120	130

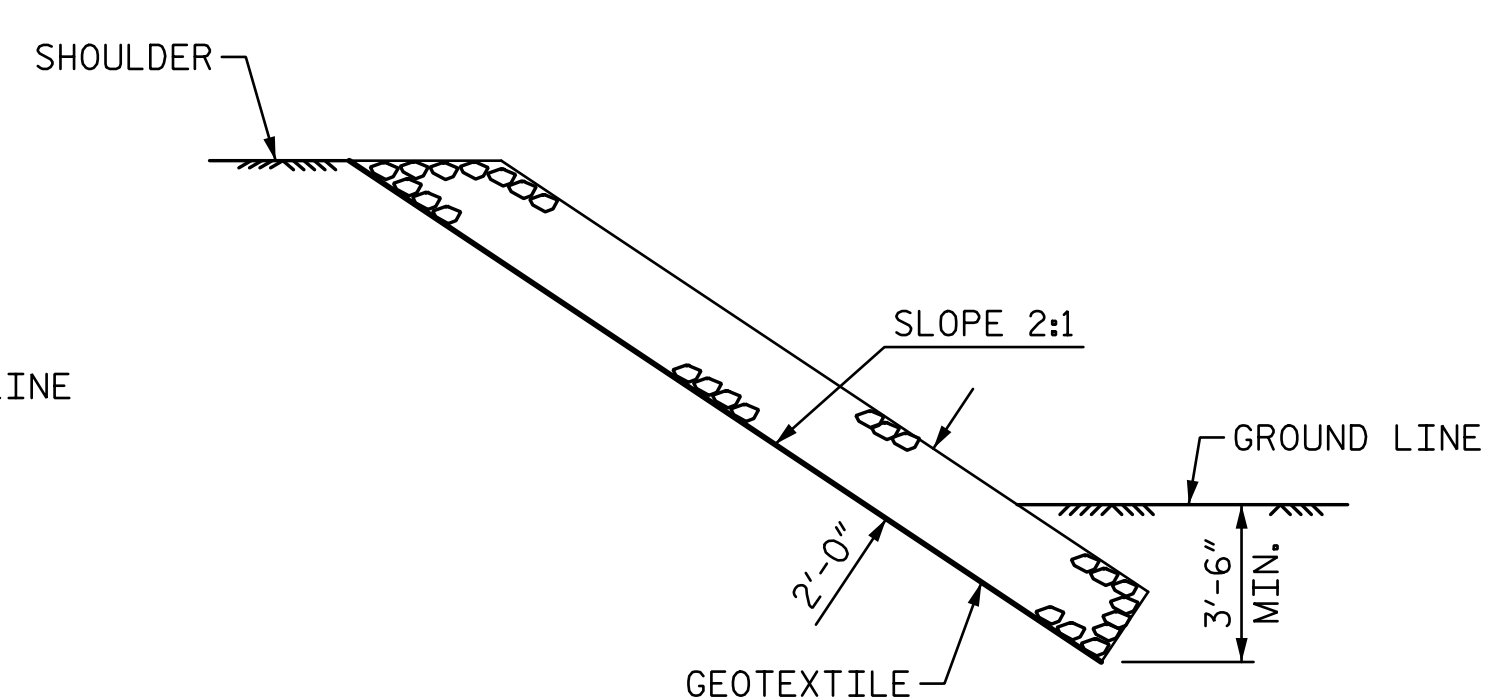


SECTION H-H



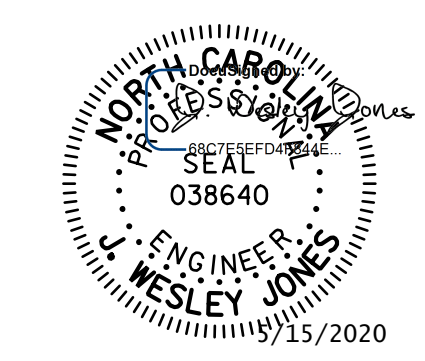
SECTION C-C

BERM RIP RAPPED  
END BENT 1 SHOWN, END BENT 2 SIMILAR



SECTION C-C

PROJECT NO. BR-0115  
IREDELL COUNTY  
 STATION: 15+74.00 -L-



**STV** 100 Years  
 STV ENGINEERS, INC.  
 900 West Trade St., Suite 715  
 Charlotte, NC 28202  
 NC License Number F-0991

DOCUMENT NOT CONSIDERED  
 FINAL UNLESS ALL  
 SIGNATURES COMPLETED

STATE OF NORTH CAROLINA DEPARTMENT OF TRANSPORTATION RALEIGH				
RIP RAP DETAILS				
REVISIONS				SHEET NO.
NO.	BY:	DATE:	NO.	DATE:
1			3	
2			4	
				S-22
				TOTAL SHEETS 23

R:\Structures\ustation\Finals\401\_043\_BR-0115\_SMU\_RR\_022\_480166.dgn  
 5:09:46 PM  
 3/11/2020

DRAWN BY : WAW DATE : 10-19  
 CHECKED BY : JWJ DATE : 1-20  
 DESIGN ENGINEER OF RECORD : JWJ DATE : 3-20