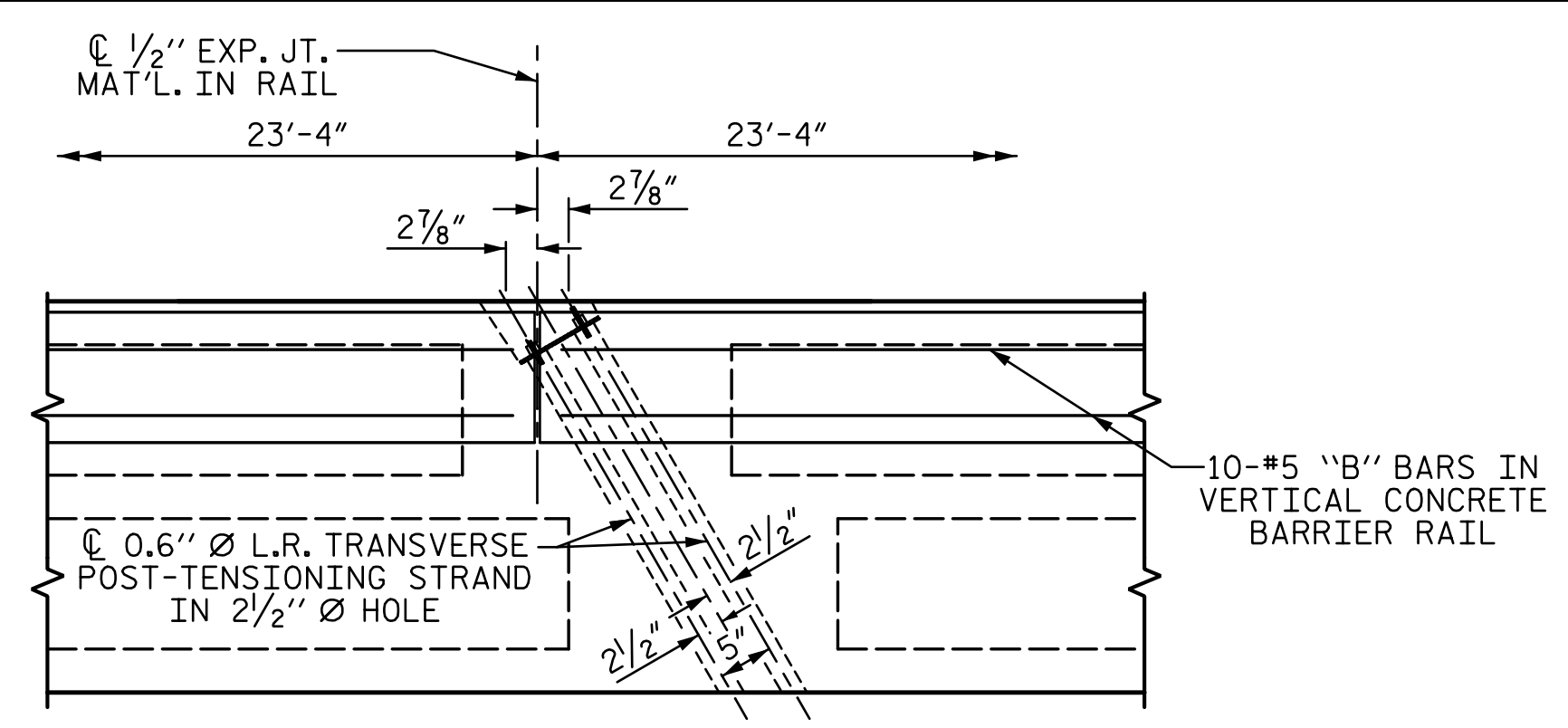
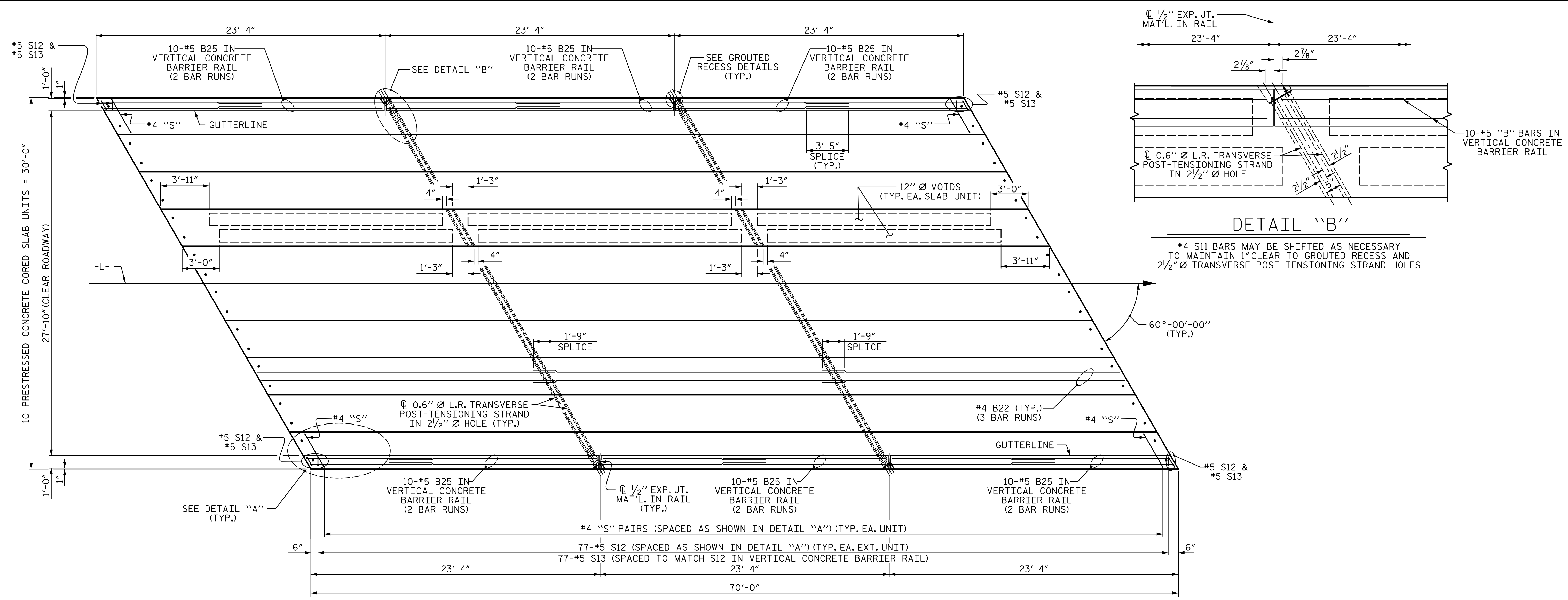
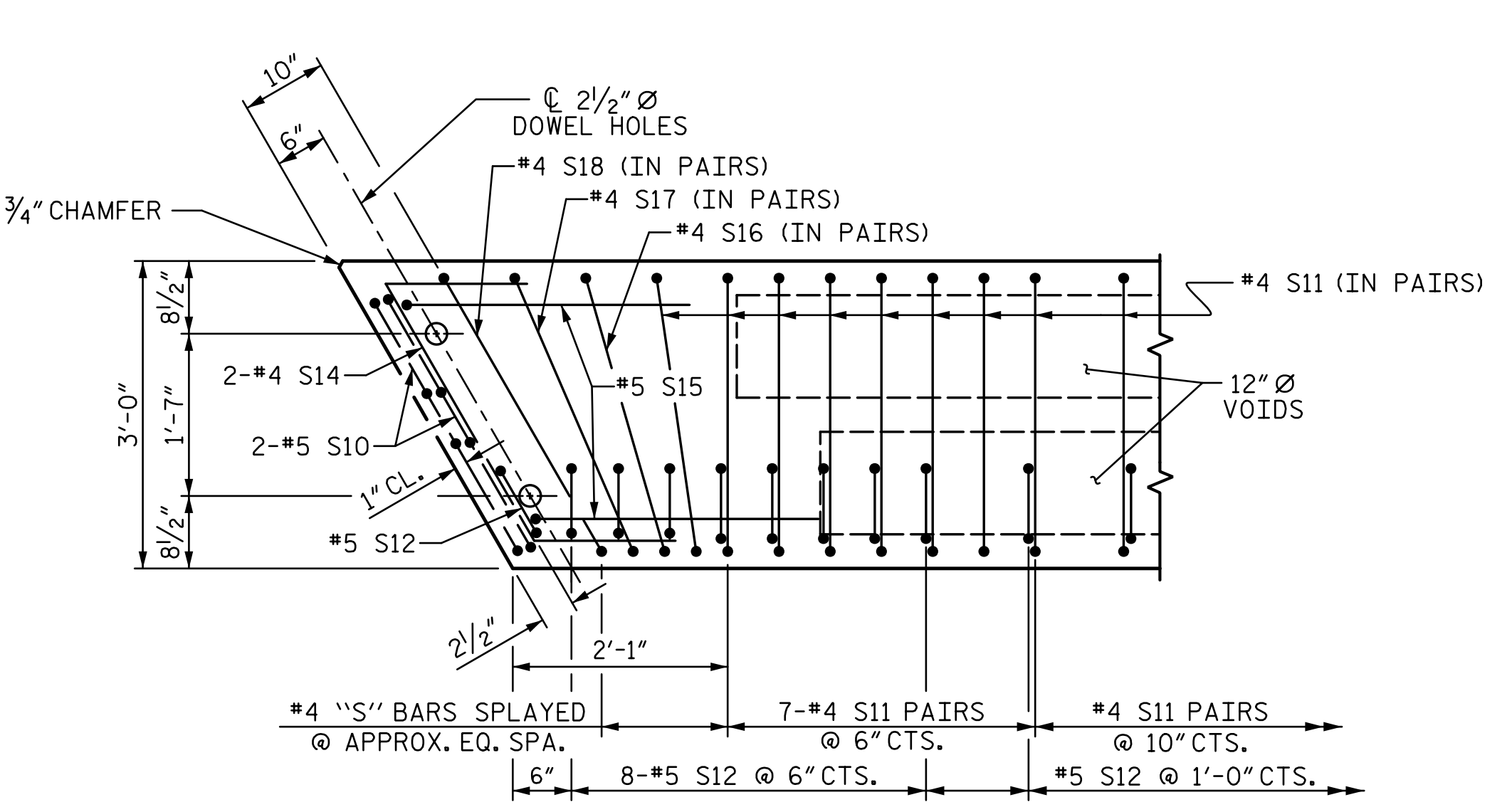


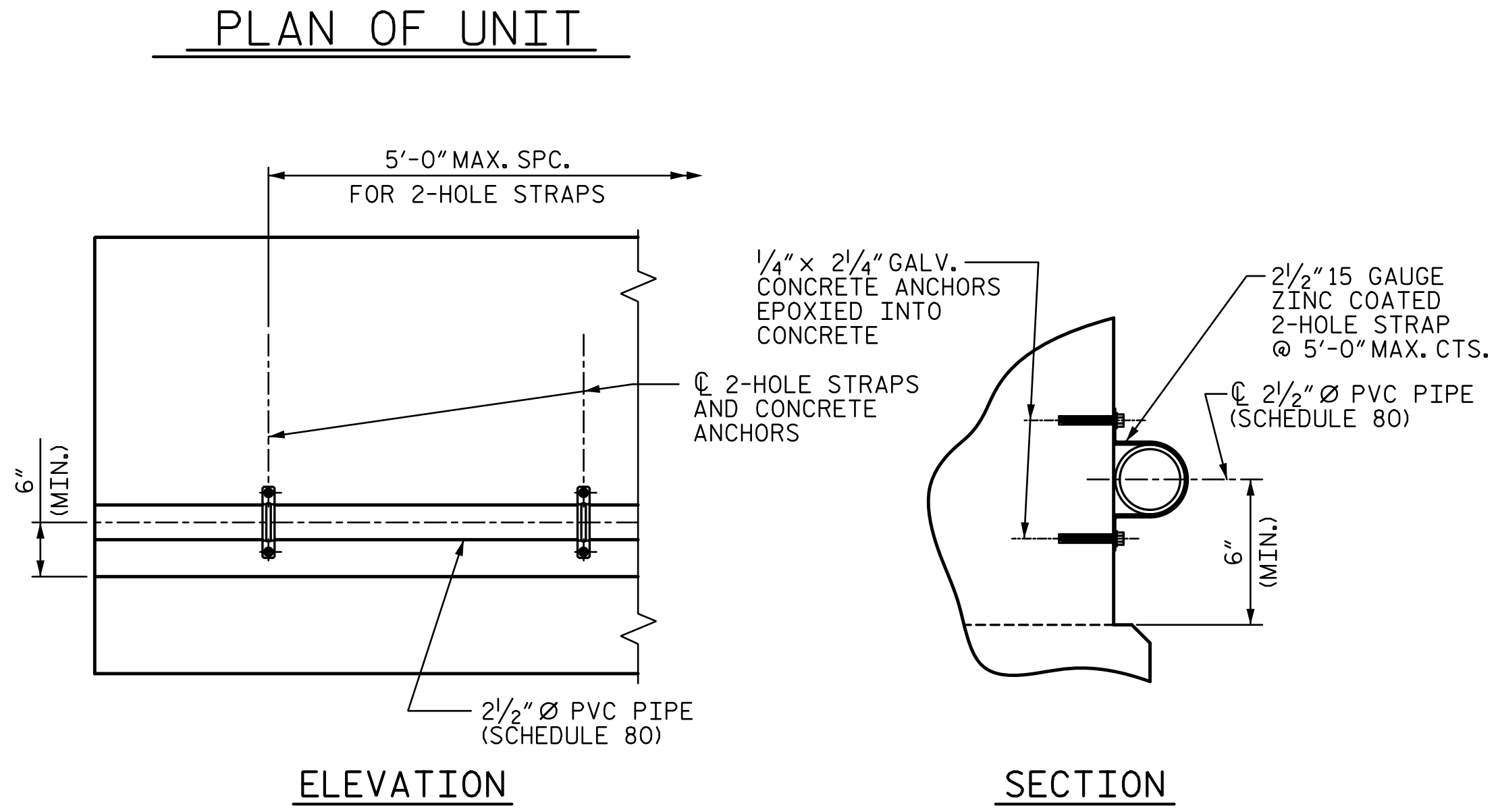
R:\Structures\ustation\Finals\40L02LBR-015_SML_CS6_OIL_480166.dgn 5:09:05 PM 3/11/2020



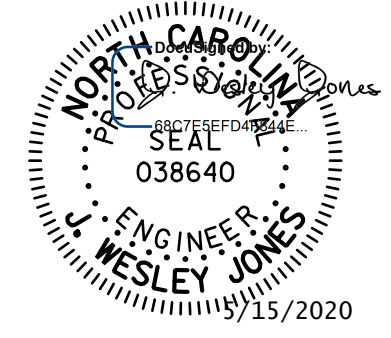
DETAIL "B"
 #4 S11 BARS MAY BE SHIFTED AS NECESSARY TO MAINTAIN 1" CLEAR TO GROUDED RECESS AND 2 1/2" Ø TRANSVERSE POST-TENSIONING STRAND HOLES



DETAIL "A"
 (SIMILAR EACH END OF UNIT)
 NOTE: EXTERIOR UNIT SHOWN - INTERIOR UNIT SIMILAR EXCEPT OMIT #5 S12 BARS.



FIBER OPTIC CONDUIT SYSTEM DETAILS
 2 1/2" Ø SCHEDULE 80 PVC PIPE ATTACHED TO THE BACK OF BOTH RAILS FOR FUTURE FIBER OPTIC CABLE.



PROJECT NO. BR-0115
IREDELL COUNTY
 STATION: 15+74.00 -L-
 SHEET 2 OF 3

STATE OF NORTH CAROLINA
 DEPARTMENT OF TRANSPORTATION
 RALEIGH
PLAN OF 70' UNIT
27'-10" CLEAR ROADWAY
60° SKEW
(SPAN B)

DRAWN BY : WAW	DATE : 10-19
CHECKED BY : JWJ	DATE : 12-19
DESIGN ENGINEER OF RECORD : JWJ	DATE : 3-20
DRAWN BY : MAA 6/10	REV. 12/5/11 MAA/AAC
CHECKED BY : MKT 7/10	REV. 8/14 MAA/TMG

DOCUMENT NOT CONSIDERED FINAL UNLESS ALL SIGNATURES COMPLETED

REVISIONS				SHEET NO.
NO.	BY:	DATE:	NO.	DATE:
1			3	
2			4	

SHEET NO. S-11
 TOTAL SHEETS 23