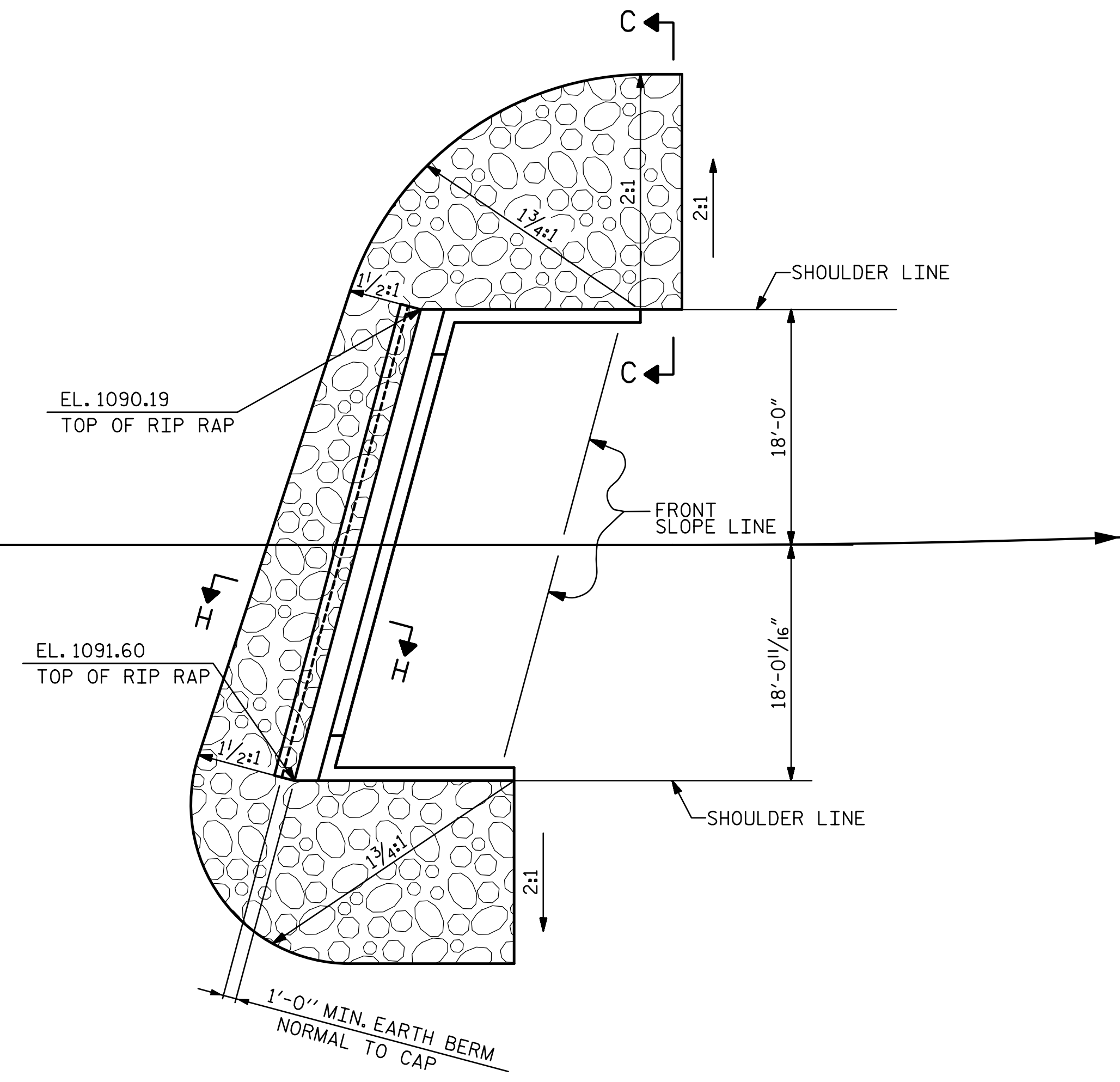
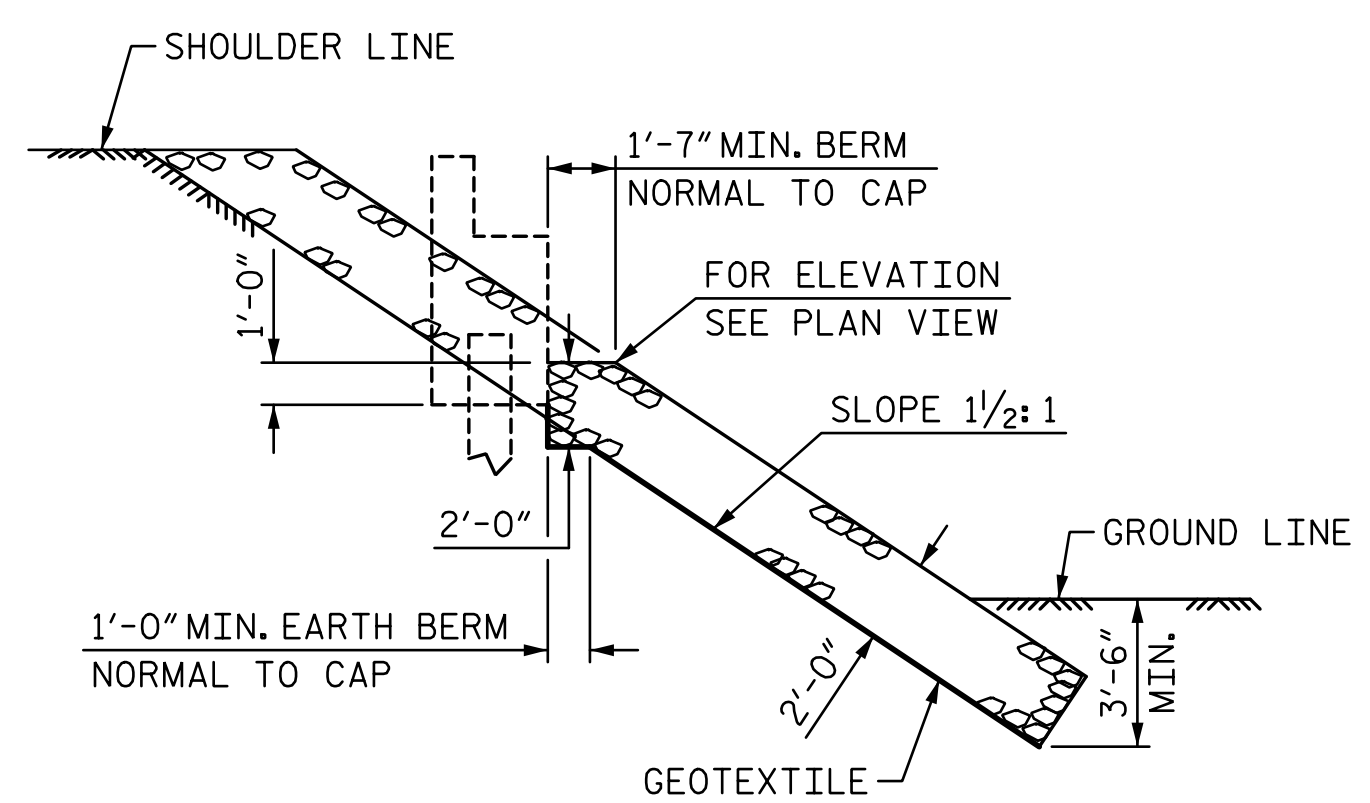


PLAN - END BENT 1

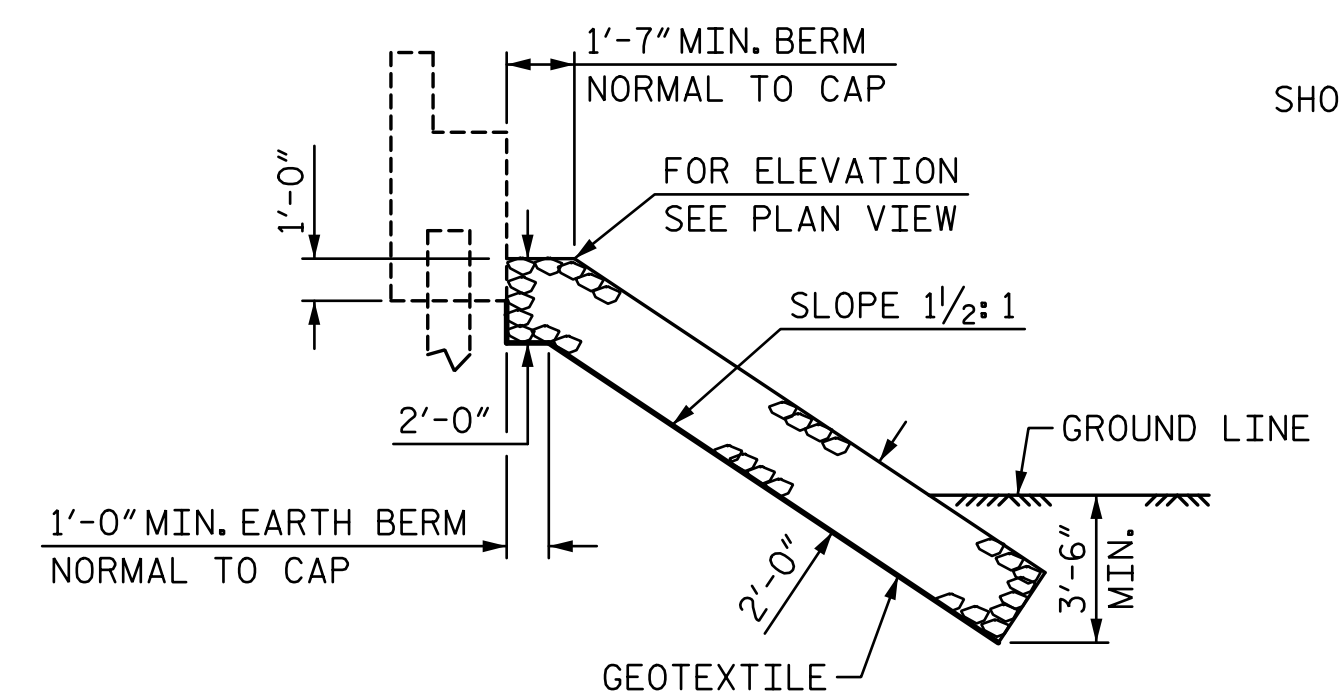


PLAN - END BENT 2

ESTIMATED QUANTITIES		
BRIDGE @ STA. 16+08.00 -L-	RIP RAP CLASS II (2'-0" THICK)	GEOTEXTILE FOR DRAINAGE
	TONS	SQUARE YARDS
END BENT 1	145	160
END BENT 2	140	155

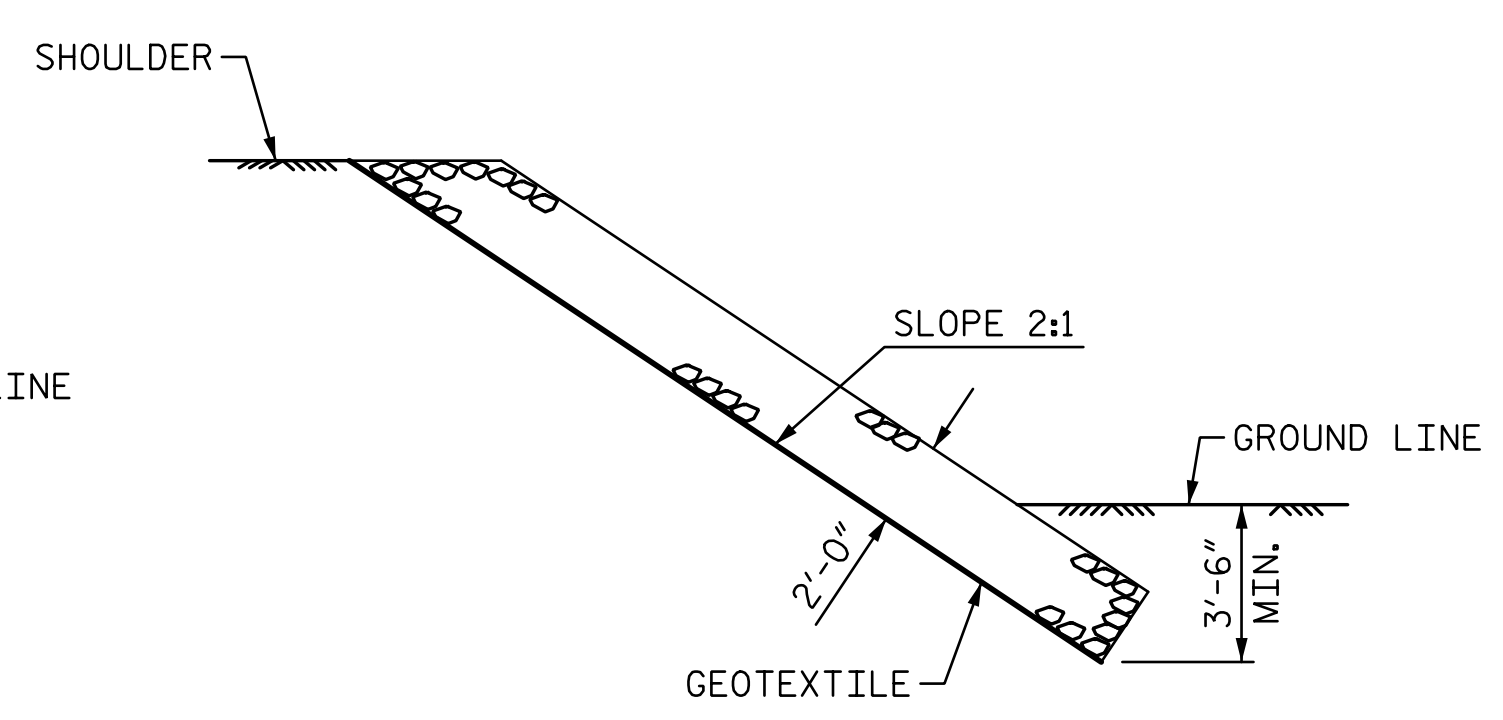


SECTION H-H



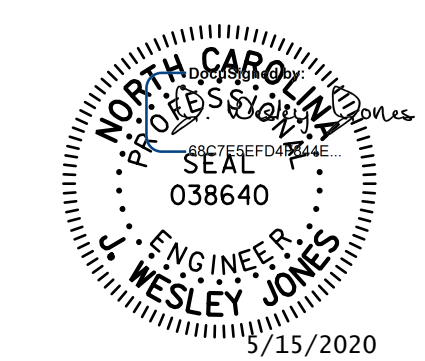
SECTION C-C

BERM RIP RAPPED  
END BENT 1 SHOWN, END BENT 2 SIMILAR



SECTION C-C

PROJECT NO. BR-0114  
IREDELL COUNTY  
 STATION: 16+08.00 -L-



**STV** 100 YEARS  
 STV ENGINEERS, INC.  
 900 West Trade St., Suite 715  
 Charlotte, NC 28202  
 NC License Number F-0991

DOCUMENT NOT CONSIDERED  
 FINAL UNLESS ALL  
 SIGNATURES COMPLETED

REVISIONS					SHEET NO.
NO.	BY:	DATE:	NO.	BY:	DATE:
1			3		
2			4		

S-14  
TOTAL SHEETS  
15

R:\Structures\ustation\Finals\401\_027\_BR-0114\_SMU\_RR\_014\_480165.dgn 4:37:26 PM 3/11/2020 Jones

DRAWN BY : WAW DATE : 10-19  
 CHECKED BY : JWJ DATE : 12-19  
 DESIGN ENGINEER OF RECORD : JWJ DATE : 3-20