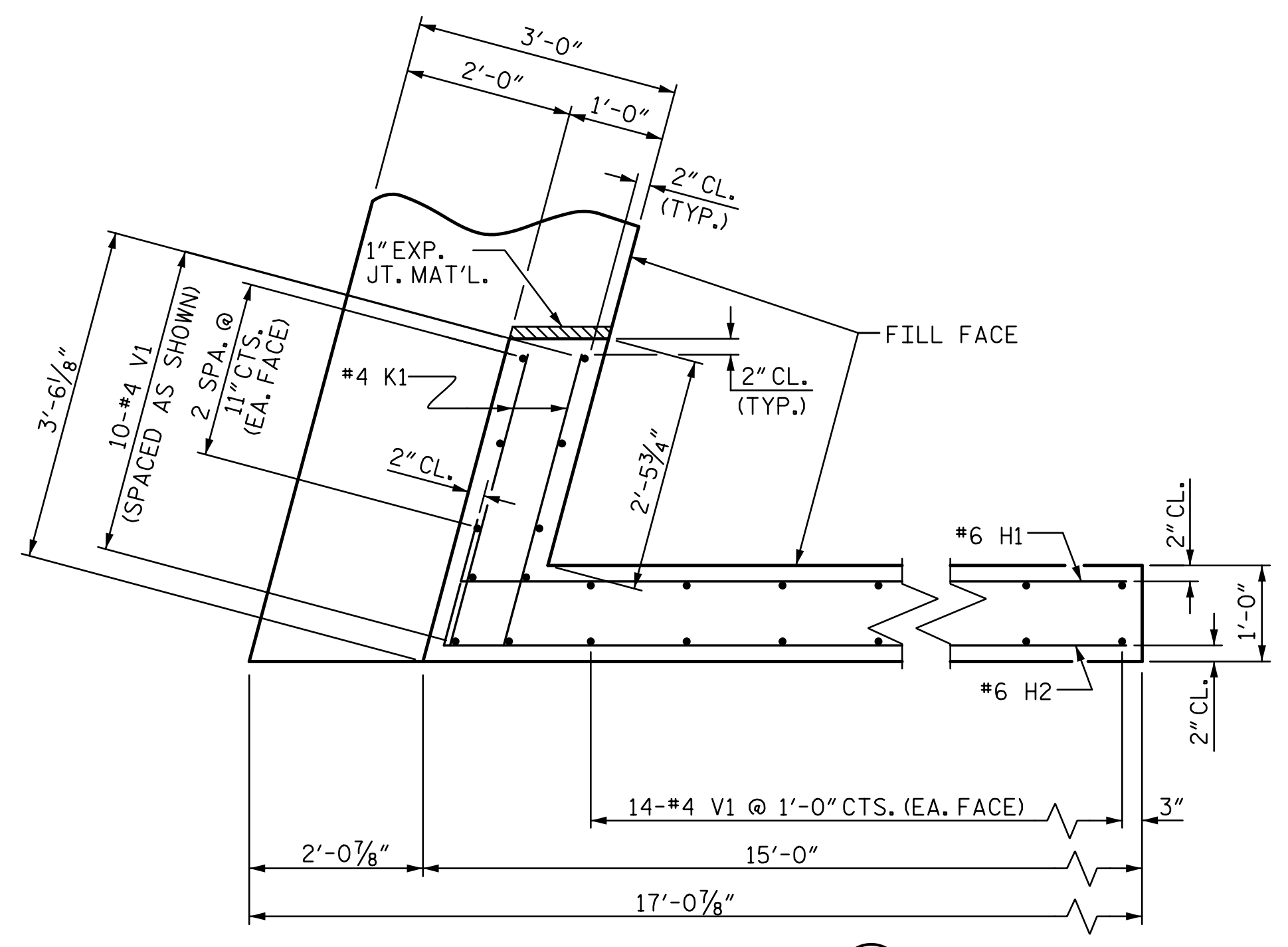
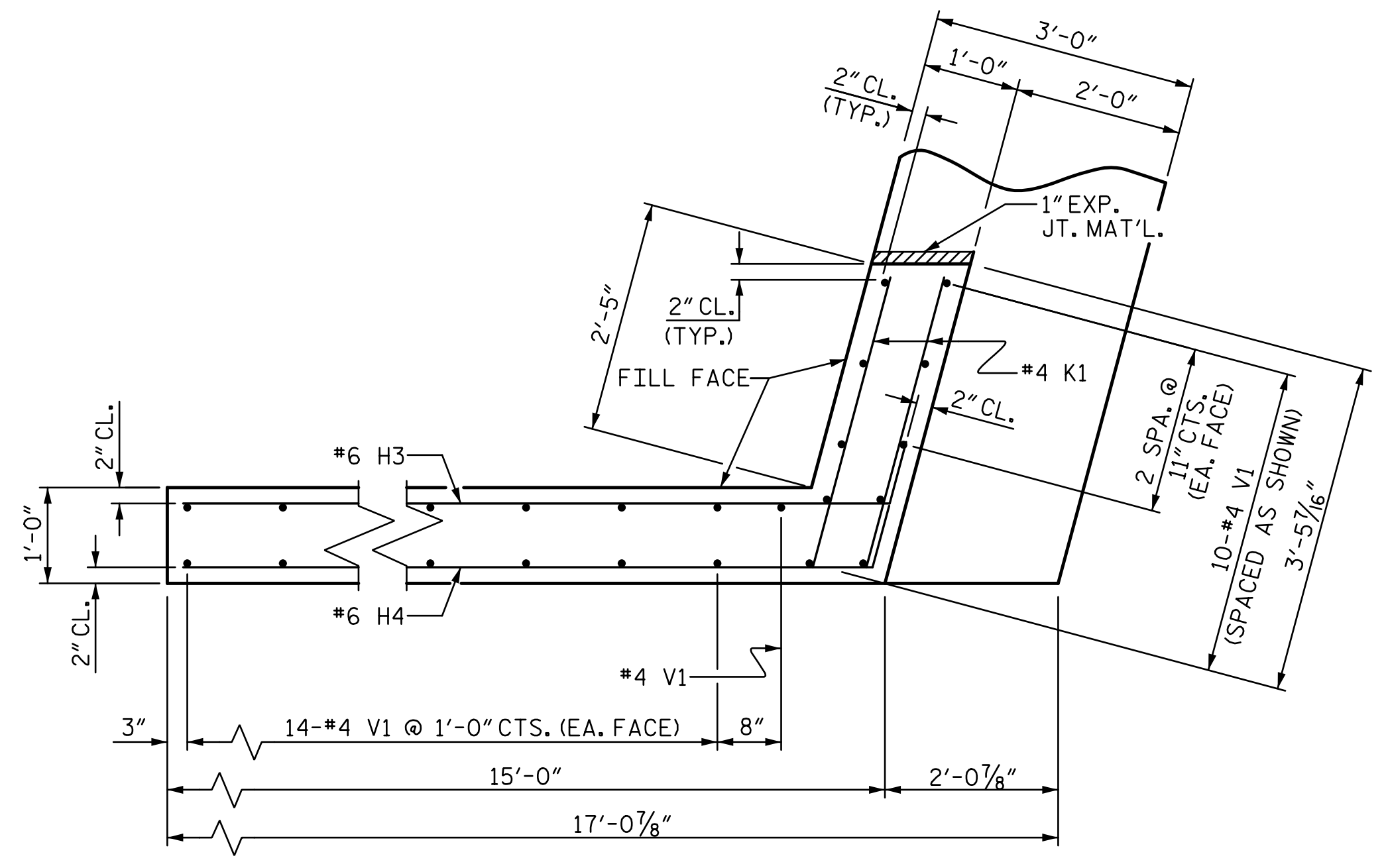


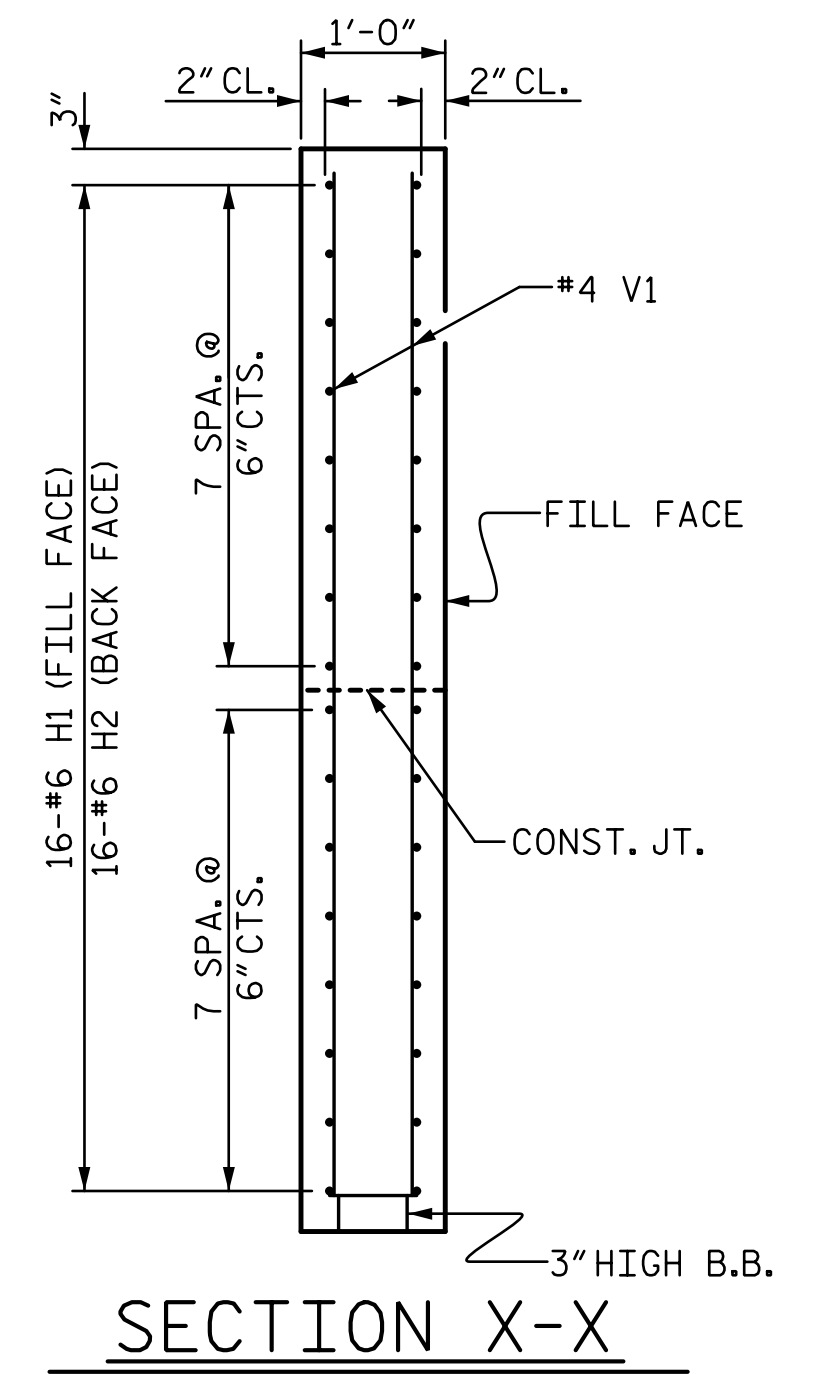
3/11/2020 4:37:23 PM R:\Structures\ustation\Finals\40L_023_BR-0114_SMU_E3_012_480165.dgn



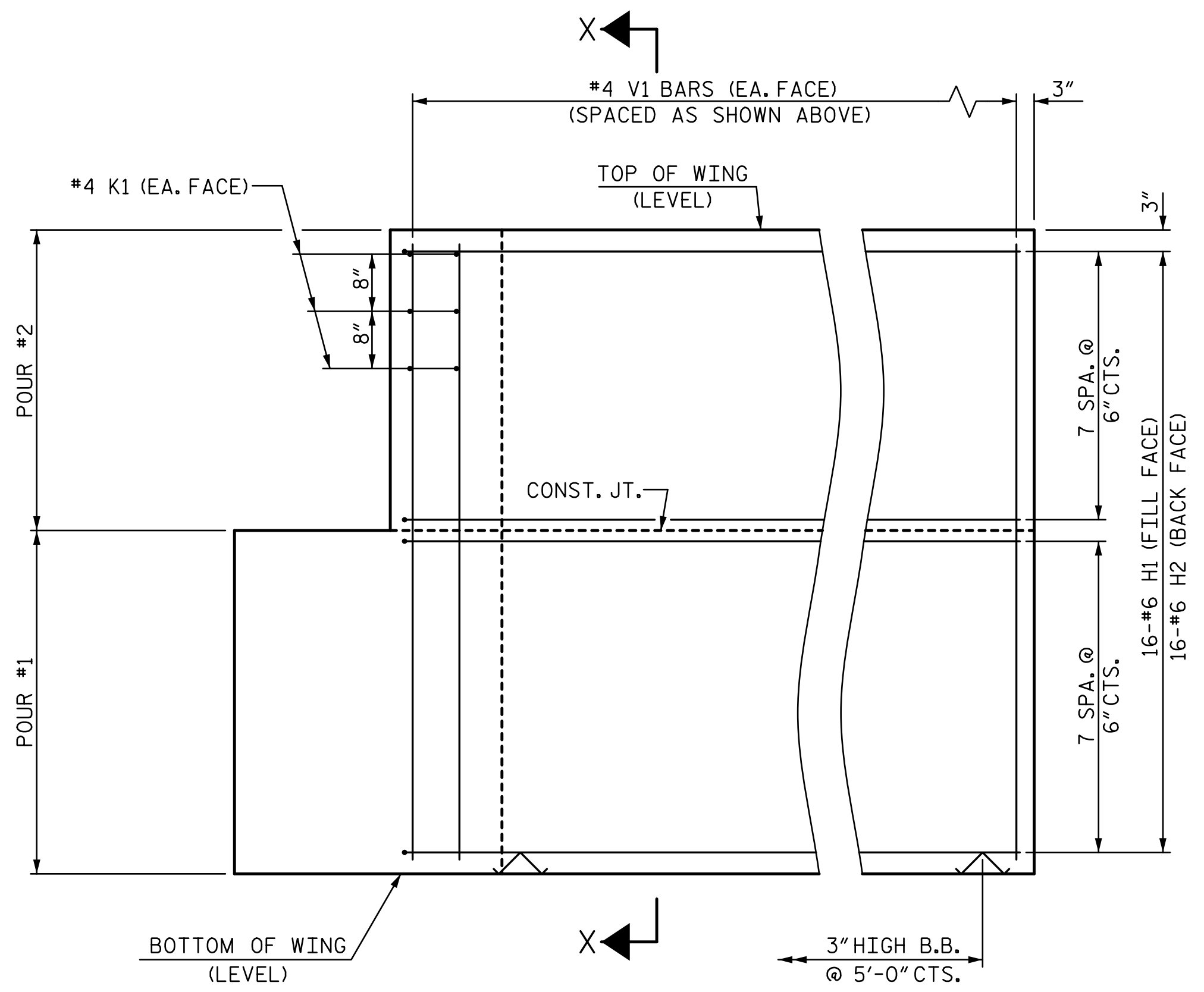
PLAN OF WING (W1)



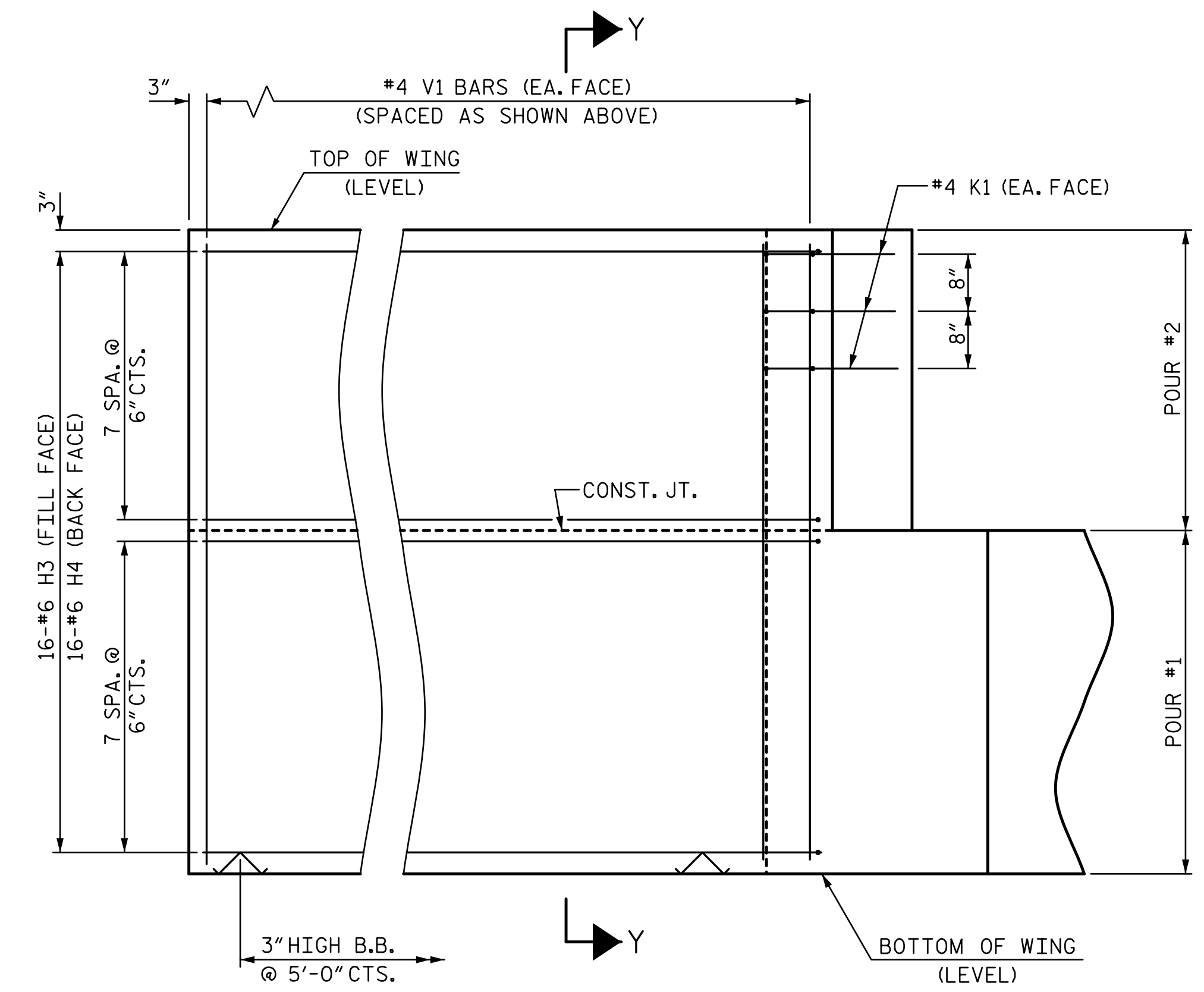
PLAN OF WING (W2)



SECTION X-X

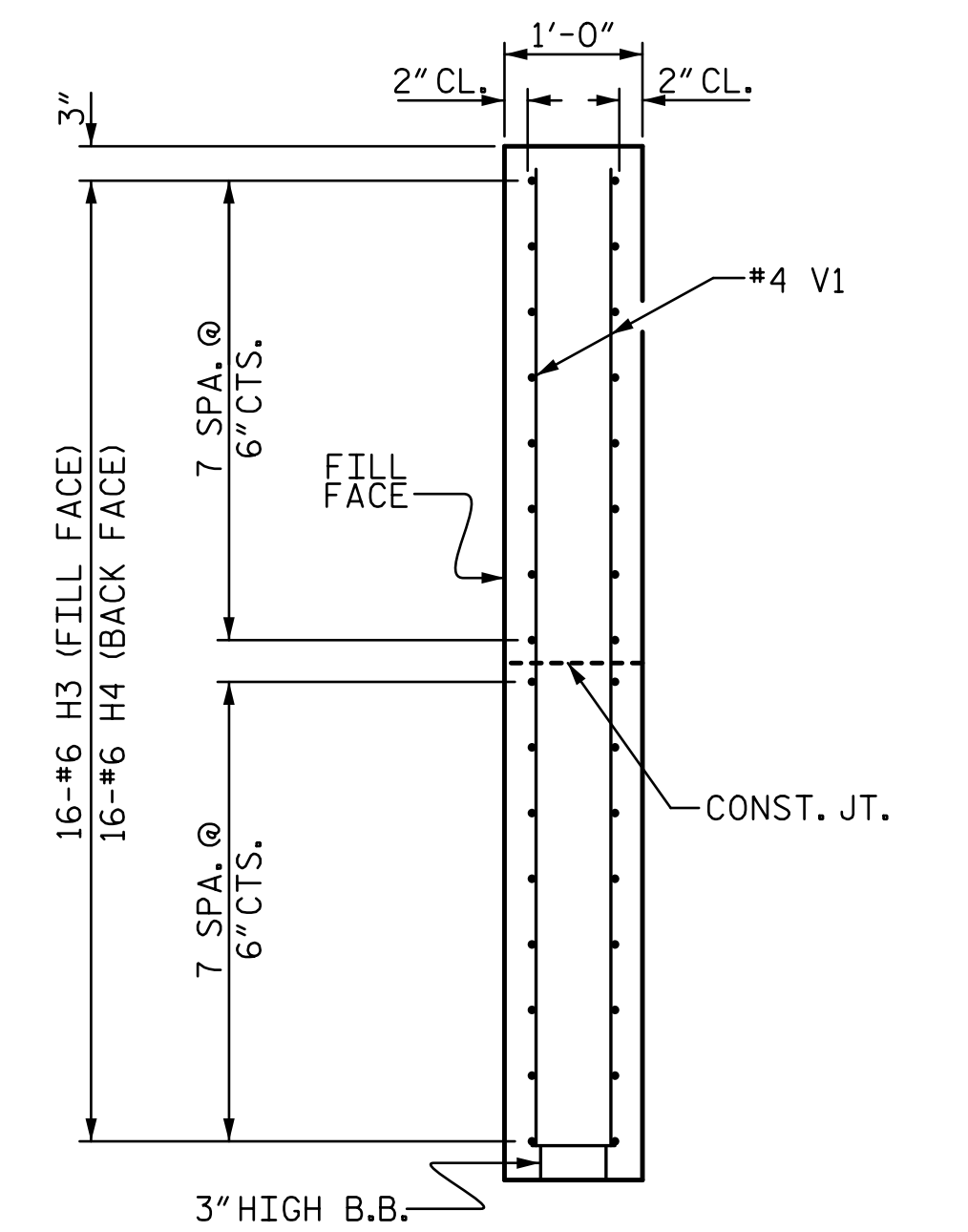


ELEVATION OF WING (W1)



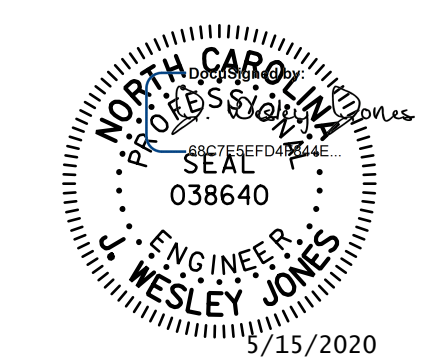
ELEVATION OF WING (W2)

WING DETAILS



SECTION Y-Y

PROJECT NO. BR-0114
 IREDELL COUNTY
 STATION: 16+08.00 -L-
 SHEET 3 OF 4



STV ENGINEERS, INC.
 100 900 West Trade St., Suite 715
 Charlotte, NC 28202
 NC License Number F-0991

DOCUMENT NOT CONSIDERED
 FINAL UNLESS ALL
 SIGNATURES COMPLETED

STATE OF NORTH CAROLINA DEPARTMENT OF TRANSPORTATION RALEIGH					
SUBSTRUCTURE END BENT WING DETAILS					
REVISIONS					SHEET NO.
NO.	BY:	DATE:	NO.	BY:	DATE:
1			3		
2			4		
					S-12
					TOTAL SHEETS 15

DRAWN BY : WAW DATE : 10-19
 CHECKED BY : JWJ DATE : 12-19
 DESIGN ENGINEER OF RECORD : JWJ DATE : 3-20