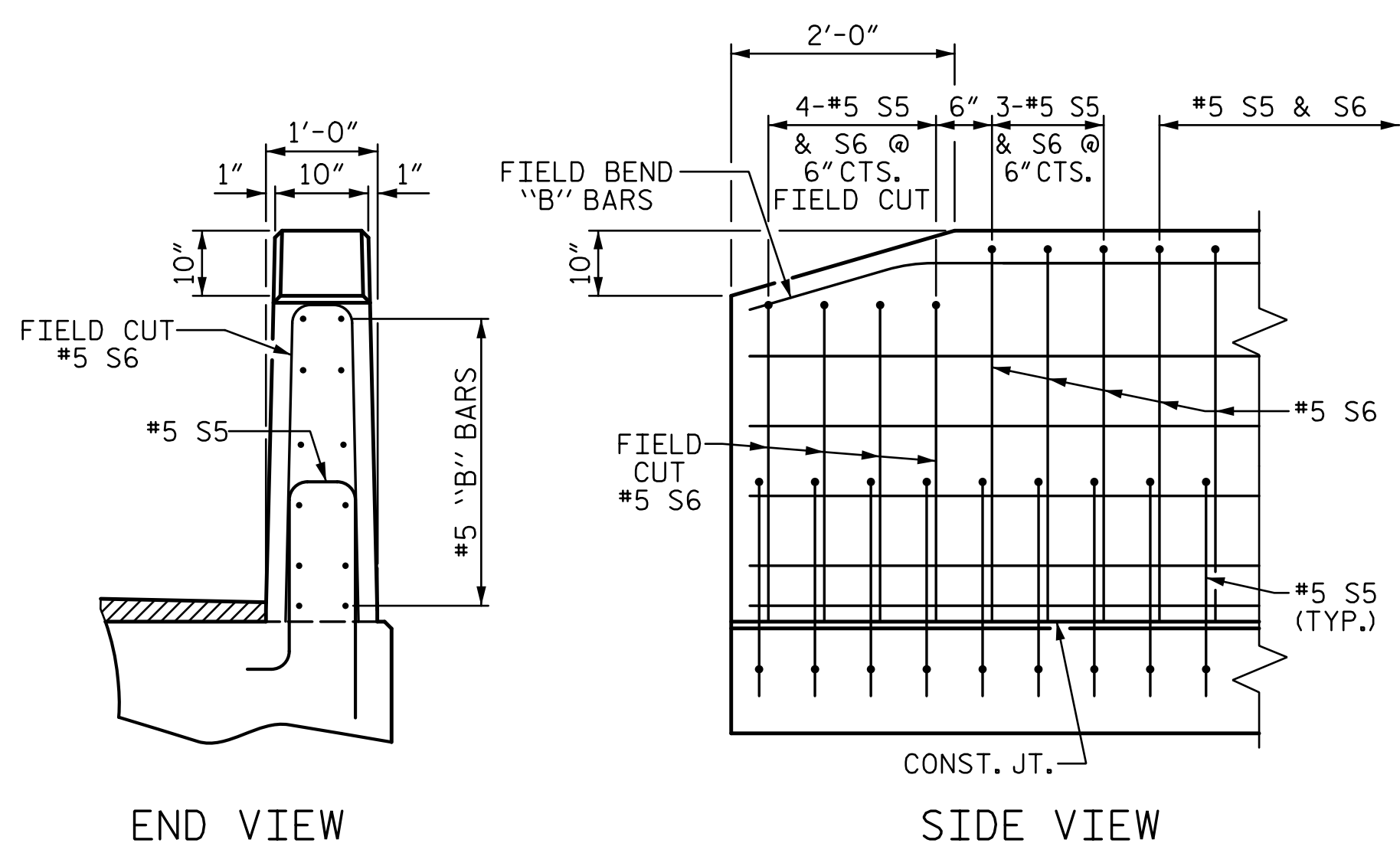
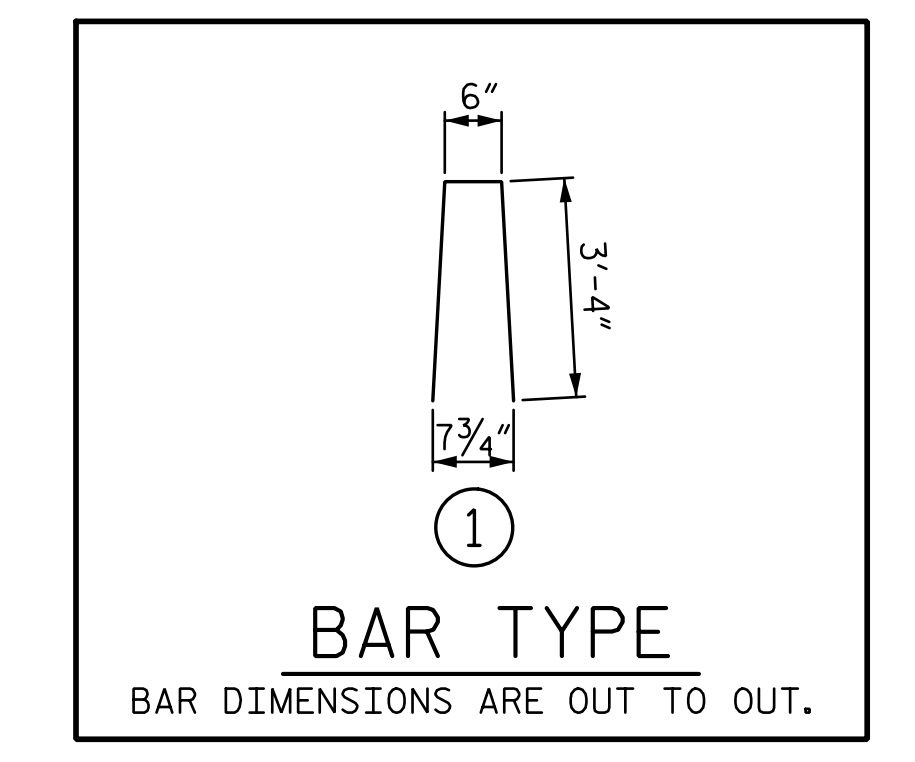


ELASTOMERIC BEARING DETAILS

ELASTOMER IN ALL BEARINGS SHALL BE 60 DUROMETER HARDNESS.

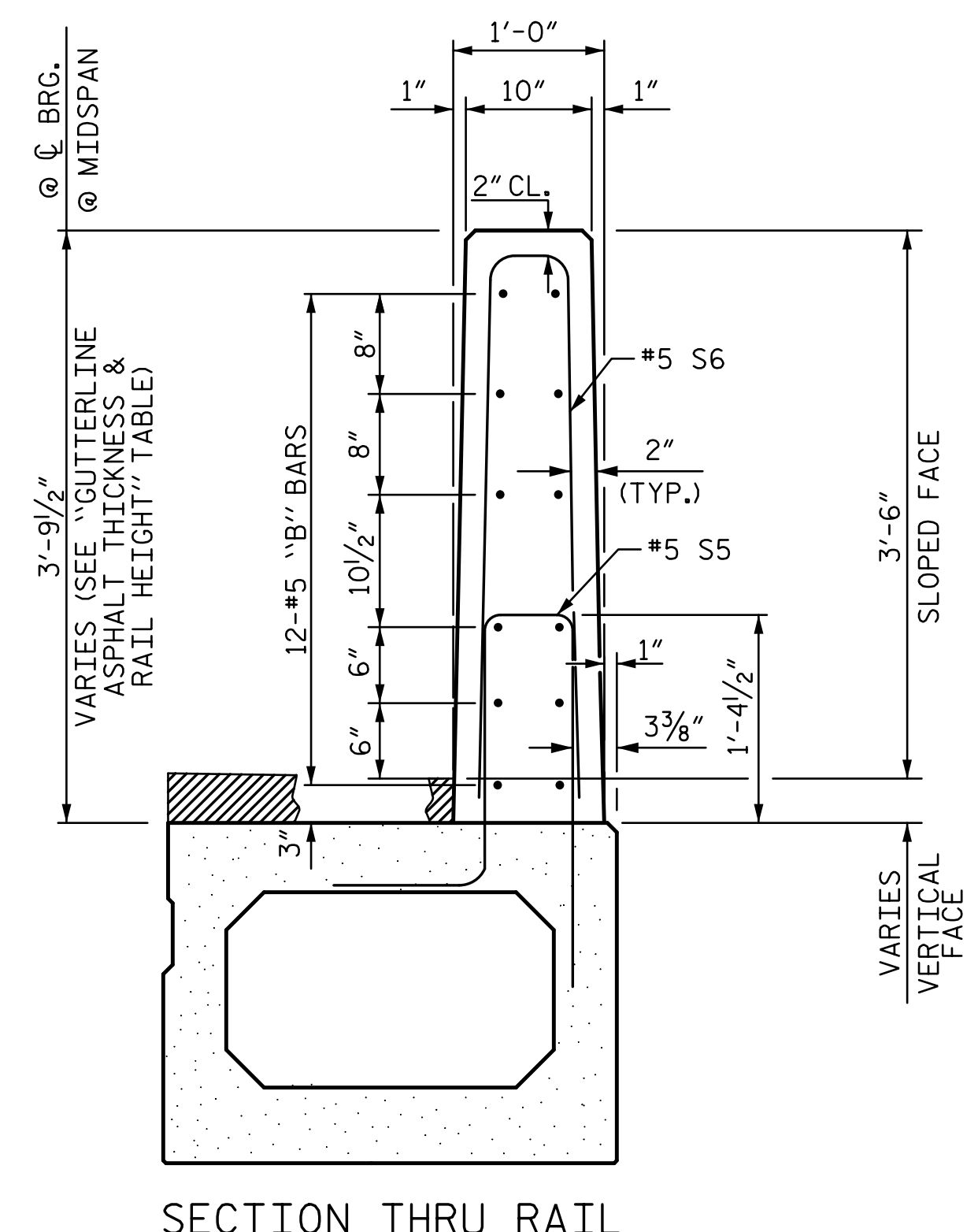


END OF RAIL DETAILS

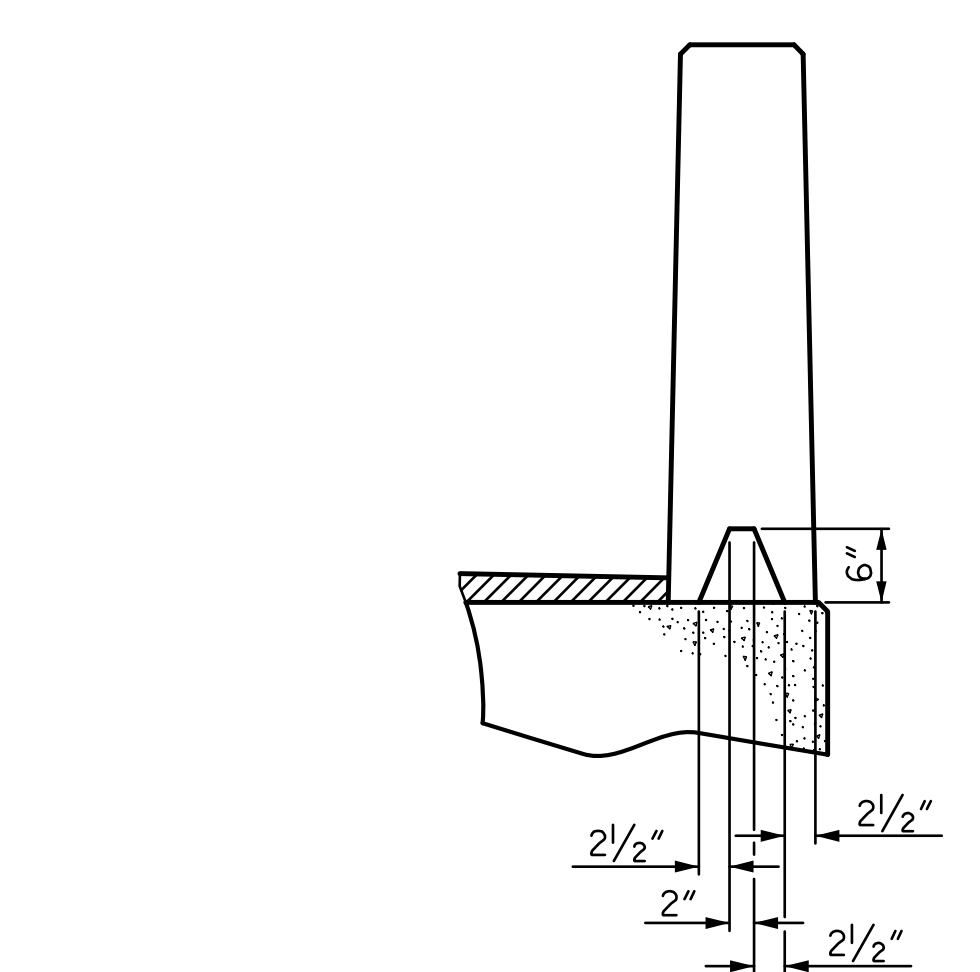


BAR	BARS PER PAIR OF EXTERIOR UNITS 100' UNIT	SIZE	TYPE	LENGTH	WEIGHT
*B12	192	#5	STR	14'-1"	2820
*S6	270	#5	1	7'-2"	2018
* EPOXY COATED REINFORCING STEEL				LBS.	4838
CLASS AA CONCRETE				CU.YDS.	25.9
TOTAL VERTICAL CONCRETE BARRIER RAIL				LN. FT.	200.0

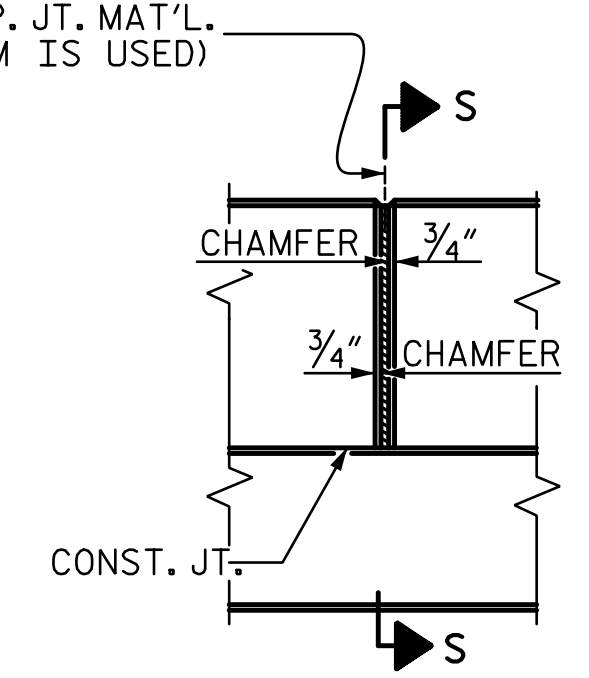
	ASPHALT OVERLAY THICKNESS @ MID-SPAN	RAIL HEIGHT @ MID-SPAN
100' UNITS	2 3/8"	3'-8 3/8"



SECTION THRU RAIL



SECTION S-S
AT DAM IN OPEN JOINT
(THIS IS TO BE USED ONLY
WHEN SLIP FORM IS USED)
1/2" EXP. JT. MAT'L HELD IN
PLACE WITH GALVANIZED NAILS.
(NOTE: OMIT EXP. JT. MAT'L.
WHEN SLIP FORM IS USED)

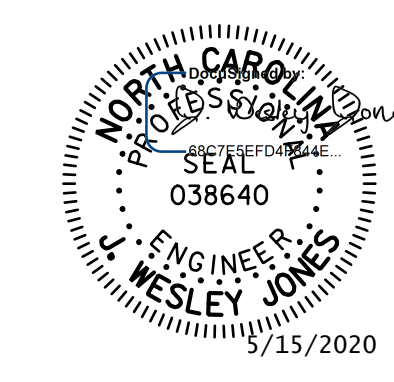


ELEVATION AT EXPANSION JOINTS

	NUMBER	LENGTH	TOTAL LENGTH
EXTERIOR B.B.	2	100'-0"	200'-0"
INTERIOR B.B.	8	100'-0"	800'-0"
TOTAL	10		1000'-0"

VERTICAL CONCRETE BARRIER RAIL DETAILS

PROJECT NO. BR-0114
IREDELL COUNTY
STATION: 16+08.00 -L-
SHEET 5 OF 5



STV ENGINEERS, INC.
900 West Trade St., Suite 715
Charlotte, NC 28202
NC License Number F-0991

DOCUMENT NOT CONSIDERED
FINAL UNLESS ALL
SIGNATURES COMPLETED

STATE OF NORTH CAROLINA
DEPARTMENT OF TRANSPORTATION
RALEIGH
STANDARD
3'-0" X 3'-3"
PRESTRESSED CONCRETE
BOX BEAM UNIT

REVISIONS					SHEET NO.
NO.	BY:	DATE:	NO.	BY:	DATE:
1			3		
2			4		

TOTAL SHEETS 15

R:\Structures\ustation\Finals\401_015_BR-0114_SMJ_BB5_008_480165.dgn 4:37:49 PM 3/11/2020 Jones

DRAWN BY : WAW	DATE : 10-19
CHECKED BY : JWJ	DATE : 12-19
DESIGN ENGINEER OF RECORD : JWJ	DATE : 3-20
DRAWN BY : DGE 10/11	REV. 5/18
CHECKED BY : TMG 11/11	MAA/THC