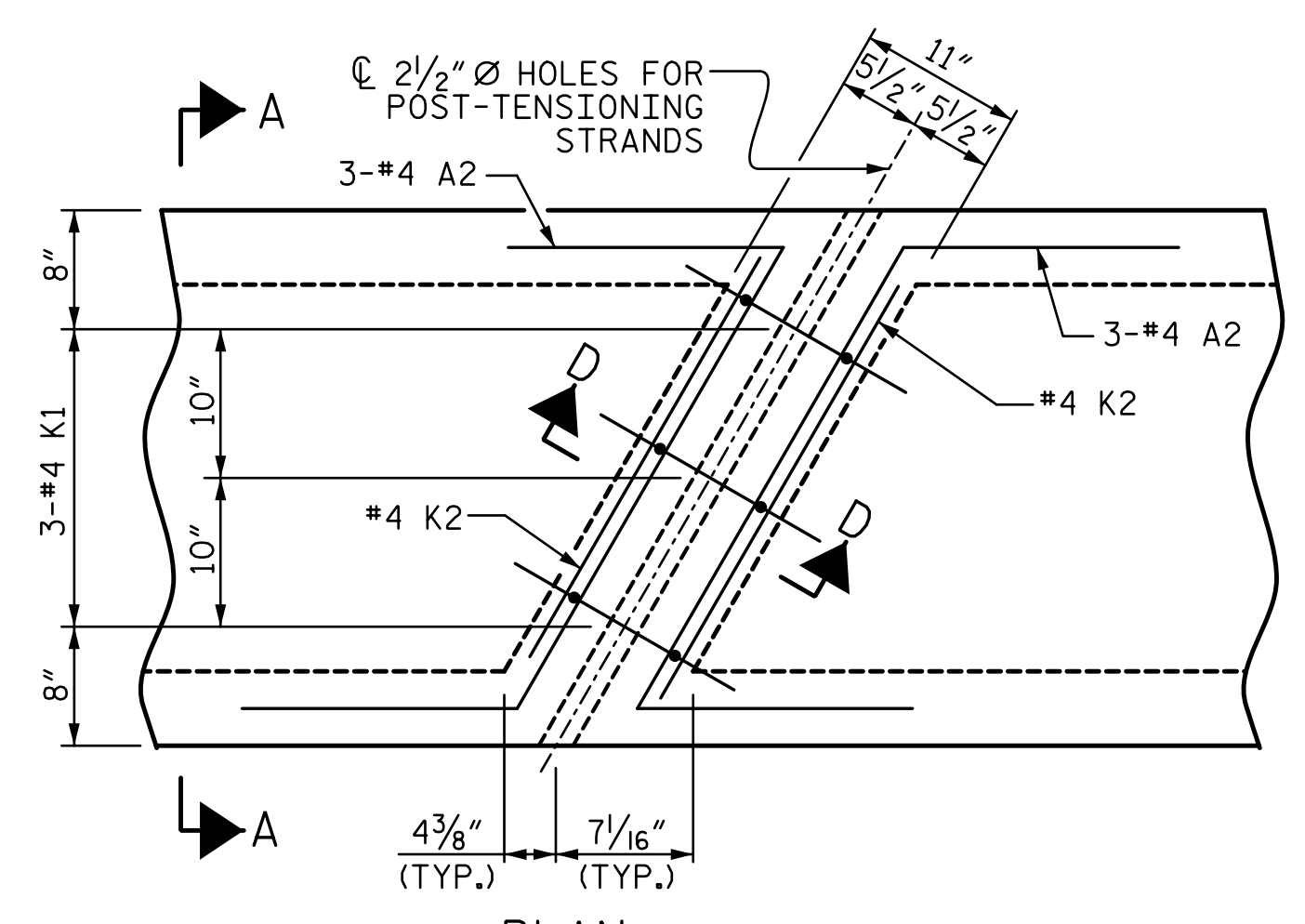
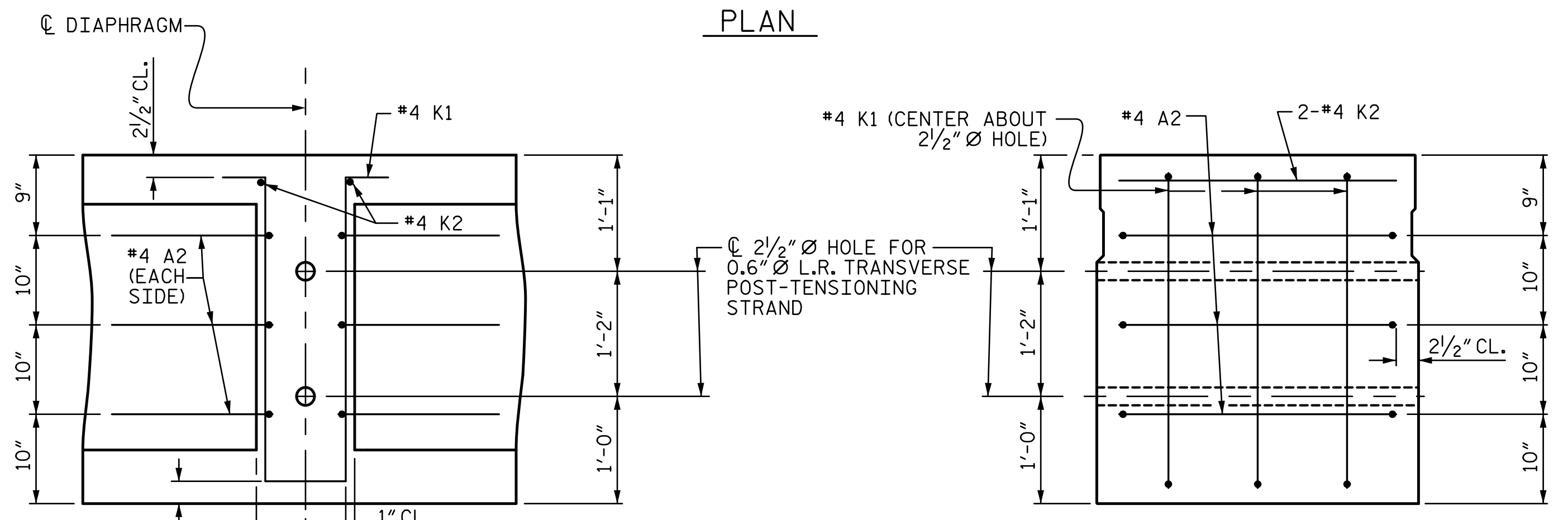


R:\Structures\ustation\Finals\401.013\_BR-0114\_SMJ\_BB4\_007\_480165.dgn 4:37:48 PM 3/11/2020



PLAN

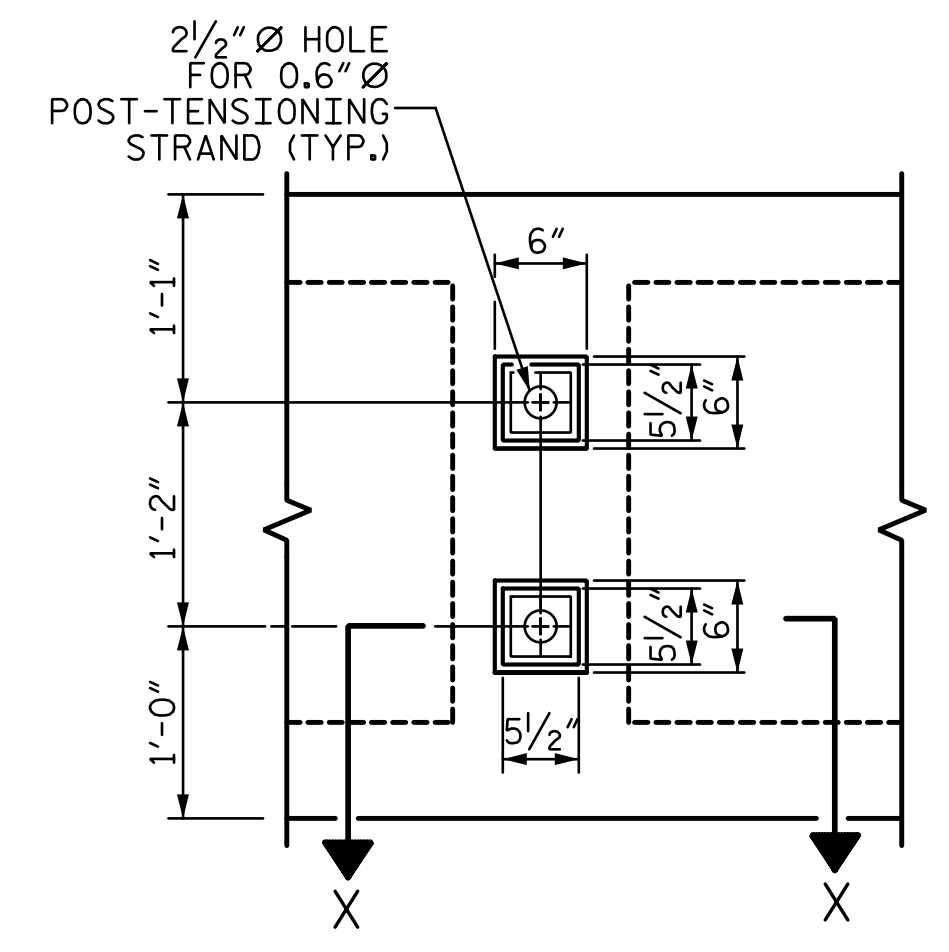


SECTION A-A  
VOIDS NOT SHOWN

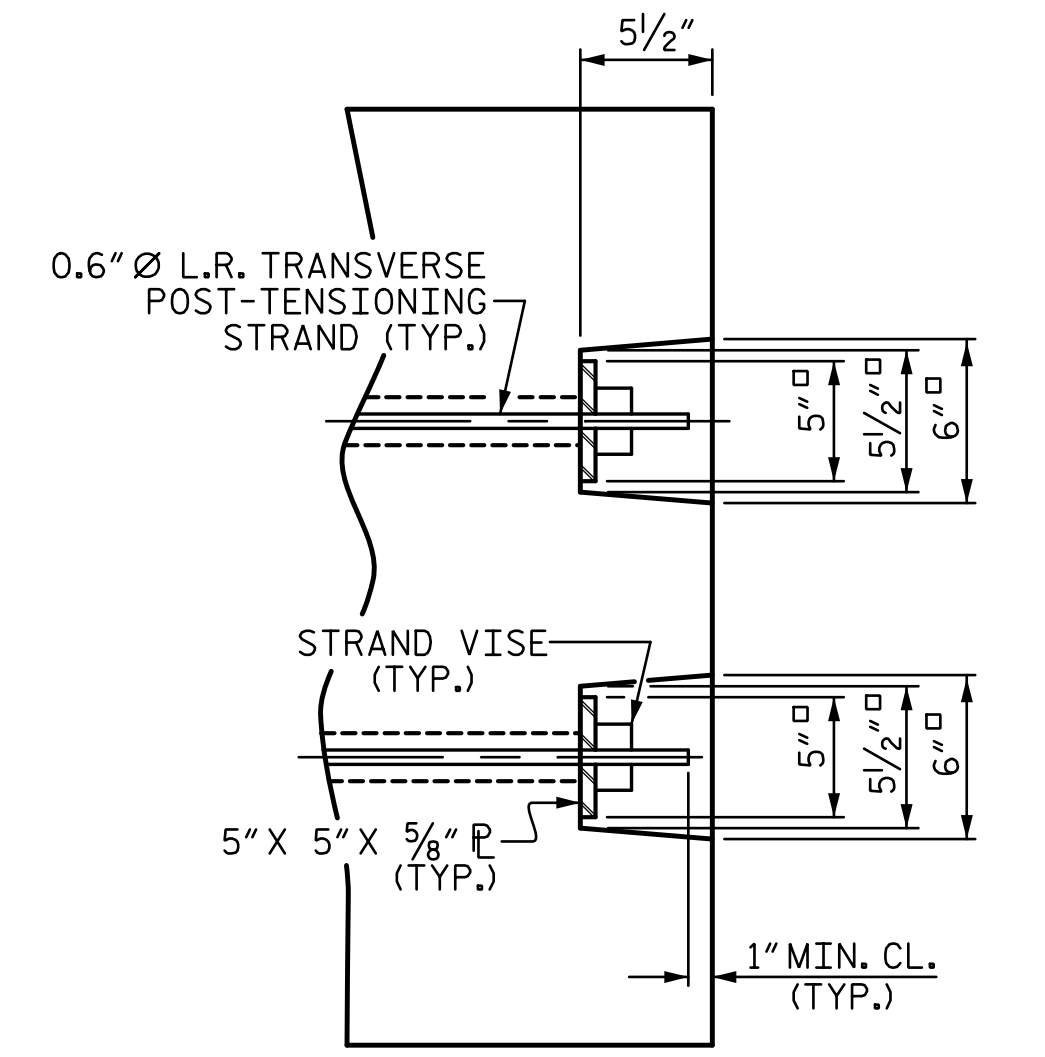
SECTION D-D

DOUBLE DIAPHRAGM DETAILS

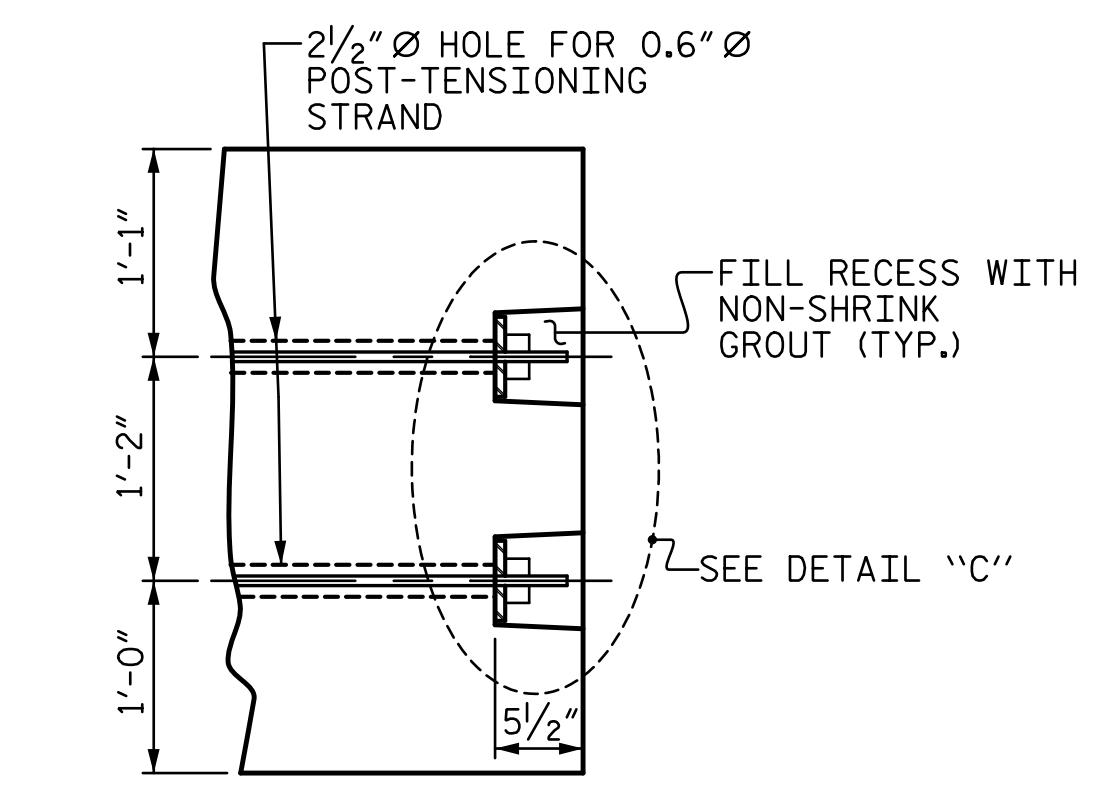
#4 "S" BARS NOT SHOWN. #4 "S" BARS MAY BE SHIFTED SLIGHTLY TO CLEAR 2 1/2" Ø HOLE.



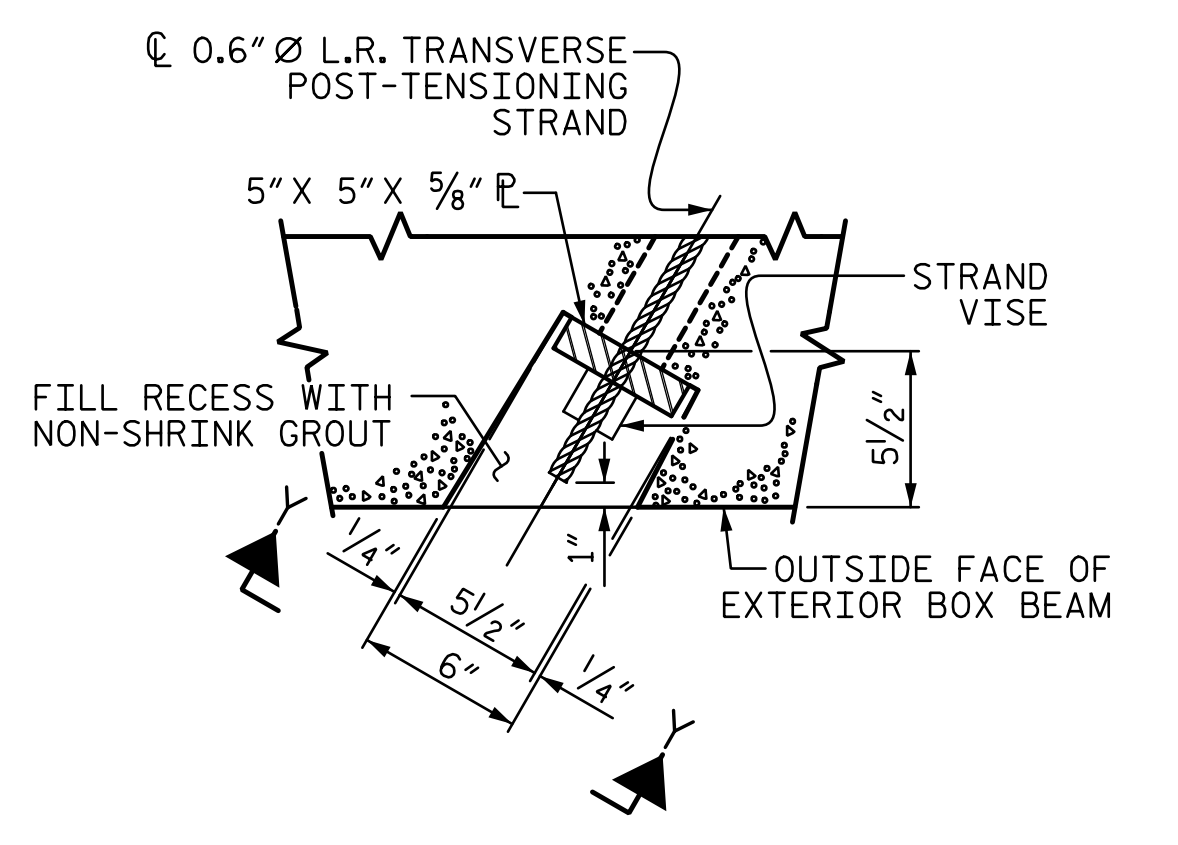
VIEW Y-Y  
SHOWING ELEVATION VIEW OF GROUTED RECESS



DETAIL "C"

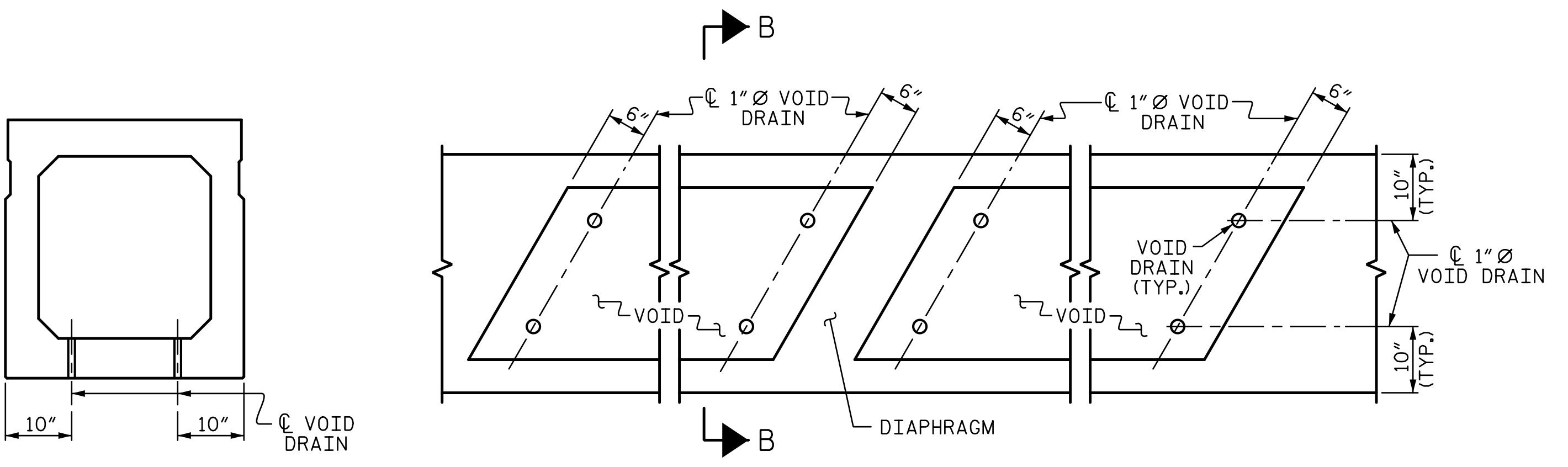


PART SECTION AT RECESS



SECTION X-X  
SHOWING PLAN VIEW OF GROUTED RECESS

GROUTED RECESS DETAIL AT  
END OF POST-TENSIONED STRANDS  
OF EXTERIOR BOX BEAM



SECTION B-B

PART PLAN

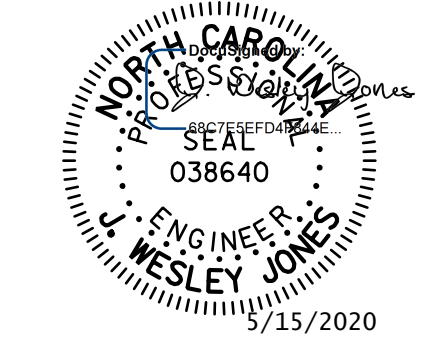
VOID DRAIN DETAILS

(DIMENSIONS SHOWN ARE TYPICAL FOR EACH VOID)

DEAD LOAD DEFLECTION AND CAMBER	
100' BOX BEAM UNIT	3'-0" x 3'-3" 0.6" Ø L.R. STRAND
CAMBER (SLAB ALONE IN PLACE)	2" ↑
DEFLECTION DUE TO SUPERIMPOSED DEAD LOAD**	7/8" ↓
FINAL CAMBER	1/8" ↑

\*\* INCLUDES FUTURE WEARING SURFACE

DRAWN BY : WAW	DATE : 10-19
CHECKED BY : JWJ	DATE : 12-19
DESIGN ENGINEER OF RECORD : JWJ	DATE : 3-20
DRAWN BY : DGE II/II	REV. 8/14
CHECKED BY : TMG II/II	MAA/TMG



STV ENGINEERS, INC.  
900 West Trade St., Suite 715  
Charlotte, NC 28202  
NC License Number F-0991

DOCUMENT NOT CONSIDERED  
FINAL UNLESS ALL  
SIGNATURES COMPLETED

PROJECT NO. BR-0114  
IREDELL COUNTY  
STATION: 16+08.00 -L-  
SHEET 4 OF 5

STATE OF NORTH CAROLINA  
DEPARTMENT OF TRANSPORTATION  
RALEIGH  
STANDARD  
3'-0" X 3'-3"  
PRESTRESSED CONCRETE  
BOX BEAM UNIT

REVISIONS				SHEET NO.
NO.	BY:	DATE:	NO.	DATE:
1			3	
2			4	

S-7  
TOTAL SHEETS 15