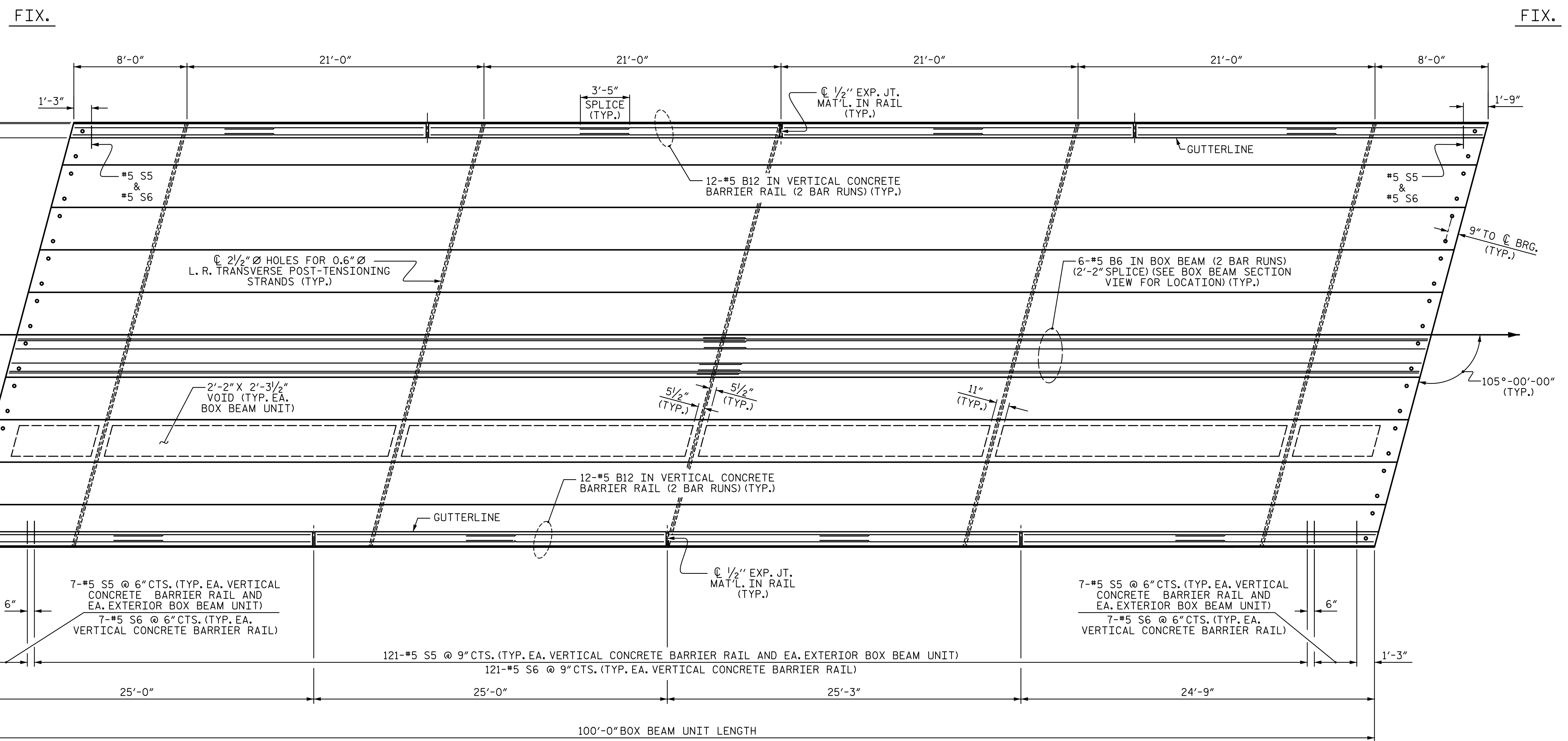
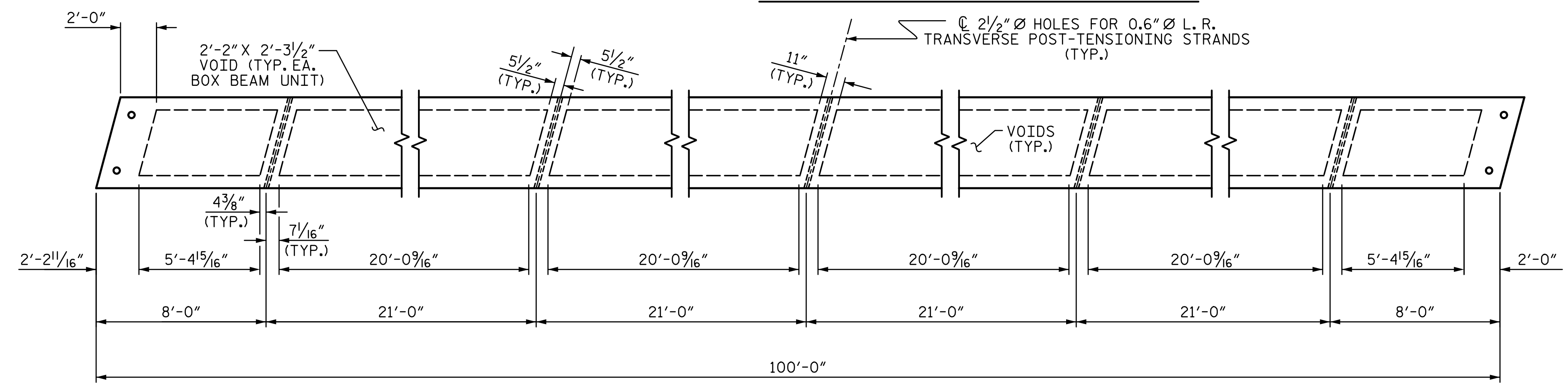


R:\Structures\ustation\Finals\40L009_BR-0114_SMU_BB2_005_480165.dgn 3/11/2020 4:37:45 PM Jones



PLAN OF UNIT

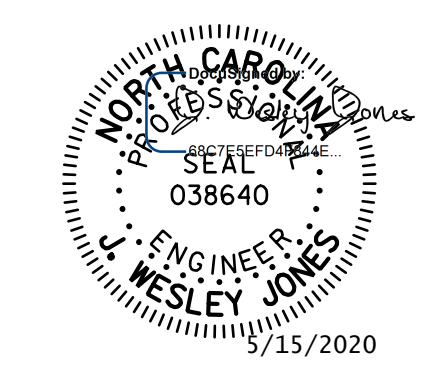


DIAPHRAGM AND VOID LAYOUT

PROJECT NO. BR-0114
IREDELL COUNTY
 STATION: 16+08.00 -L-
 SHEET 2 OF 5

STATE OF NORTH CAROLINA
 DEPARTMENT OF TRANSPORTATION
 RALEIGH

PLAN OF 100' UNIT
 27'-10" CLEAR ROADWAY
 105° SKEW



STV ENGINEERS, INC.
 900 West Trade St., Suite 715
 Charlotte, NC 28202
 NC License Number F-0991

DOCUMENT NOT CONSIDERED
 FINAL UNLESS ALL
 SIGNATURES COMPLETED

DRAWN BY : WAW	DATE : 10-19
CHECKED BY : JWJ	DATE : 12-19
DESIGN ENGINEER OF RECORD : JWJ	DATE : 3-20
DRAWN BY : DGE 8/11	REV. 8/14
CHECKED BY : TMG 11/11	MAA/TMG

REVISIONS					SHEET NO.
NO.	BY:	DATE:	NO.	BY:	DATE:
1			3		
2			4		

TOTAL SHEETS 15