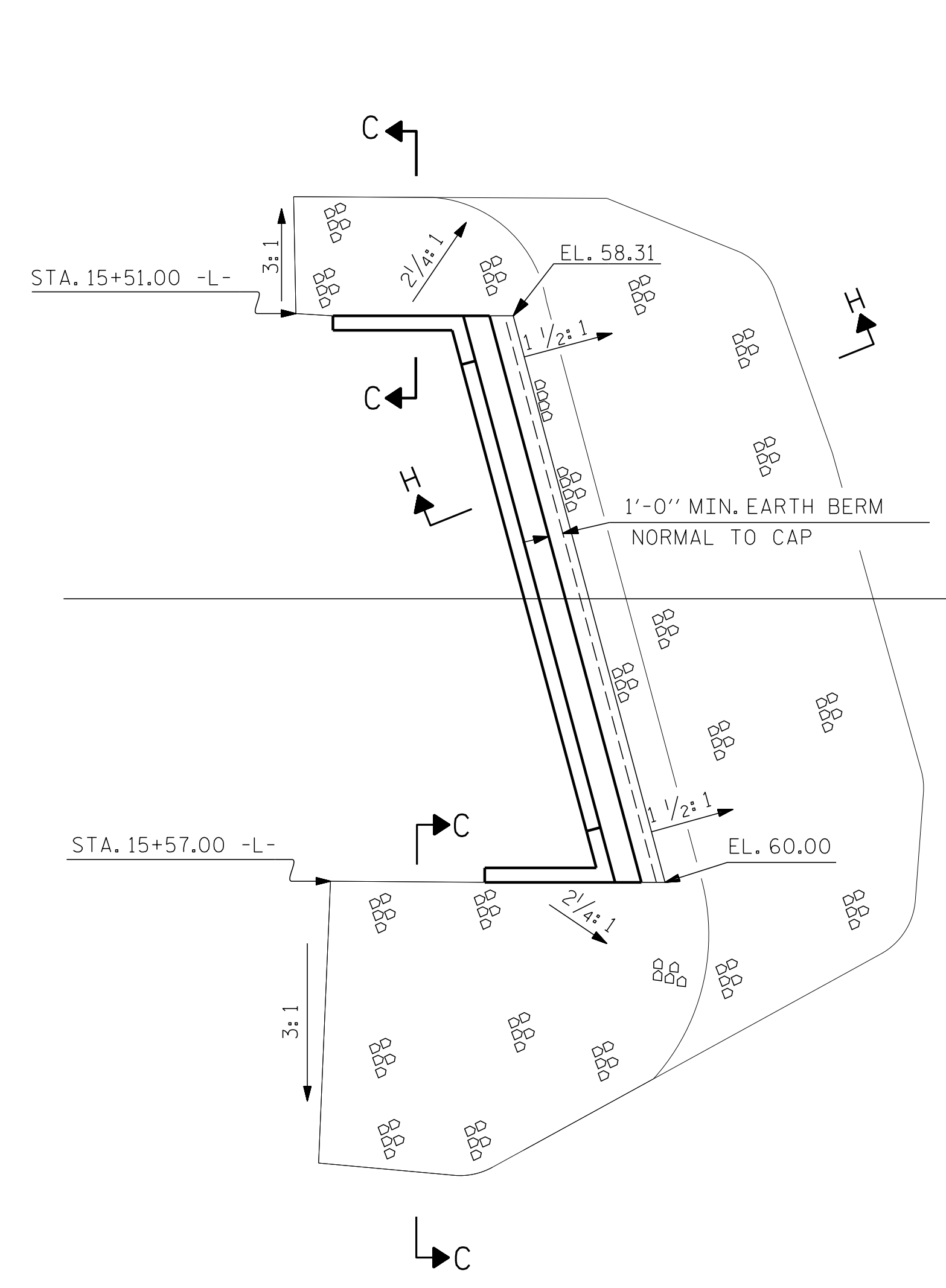
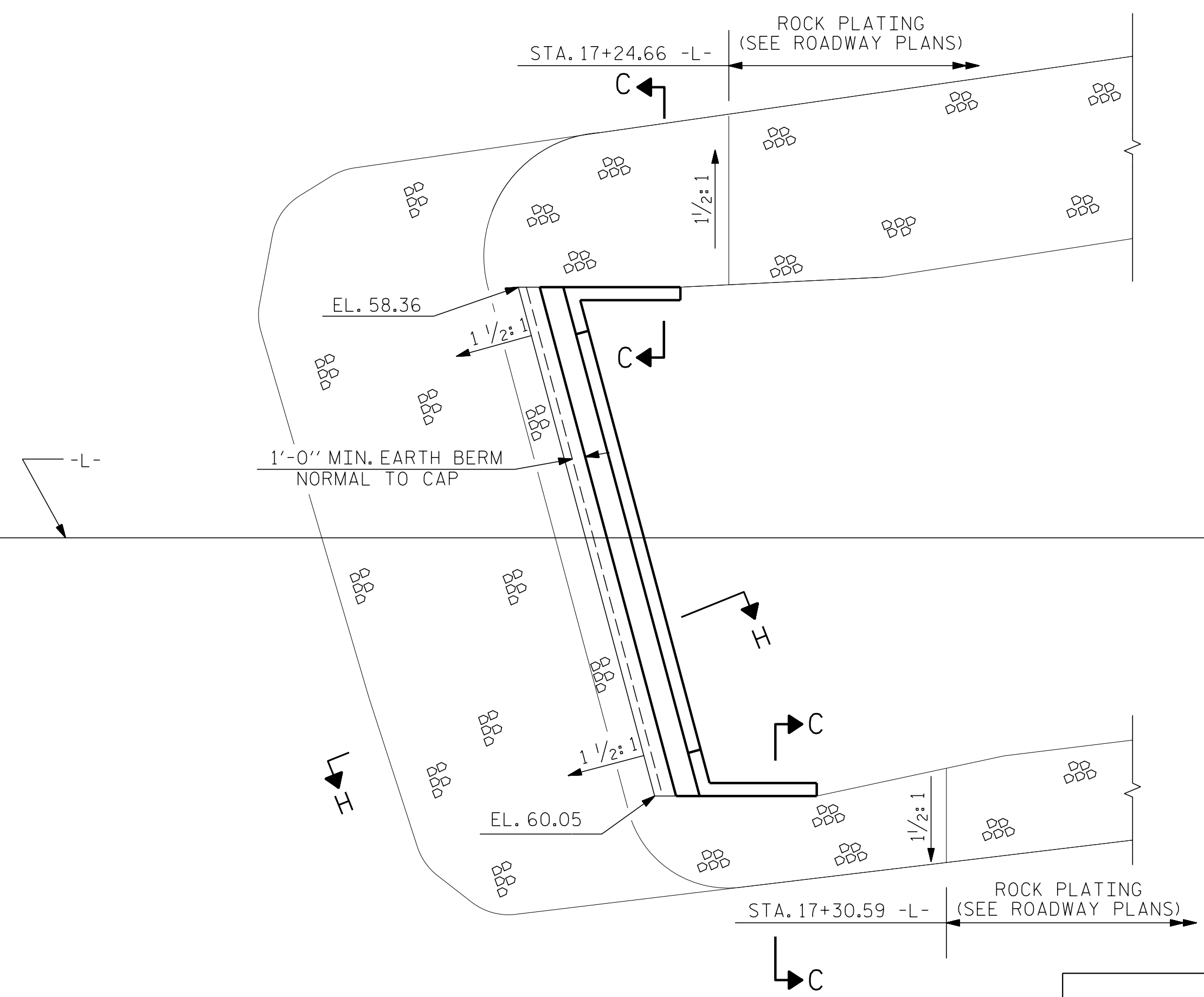


NOTES :
 THE BACKFILL MATERIAL SHALL BE FROM THE MATERIAL EXCAVATED AS "UNCLASSIFIED STRUCTURE EXCAVATION". THE COST OF PLACING THE BACKFILL MATERIAL SHALL BE INCLUDED IN THE PAY ITEM FOR "RIP RAP CLASS II".



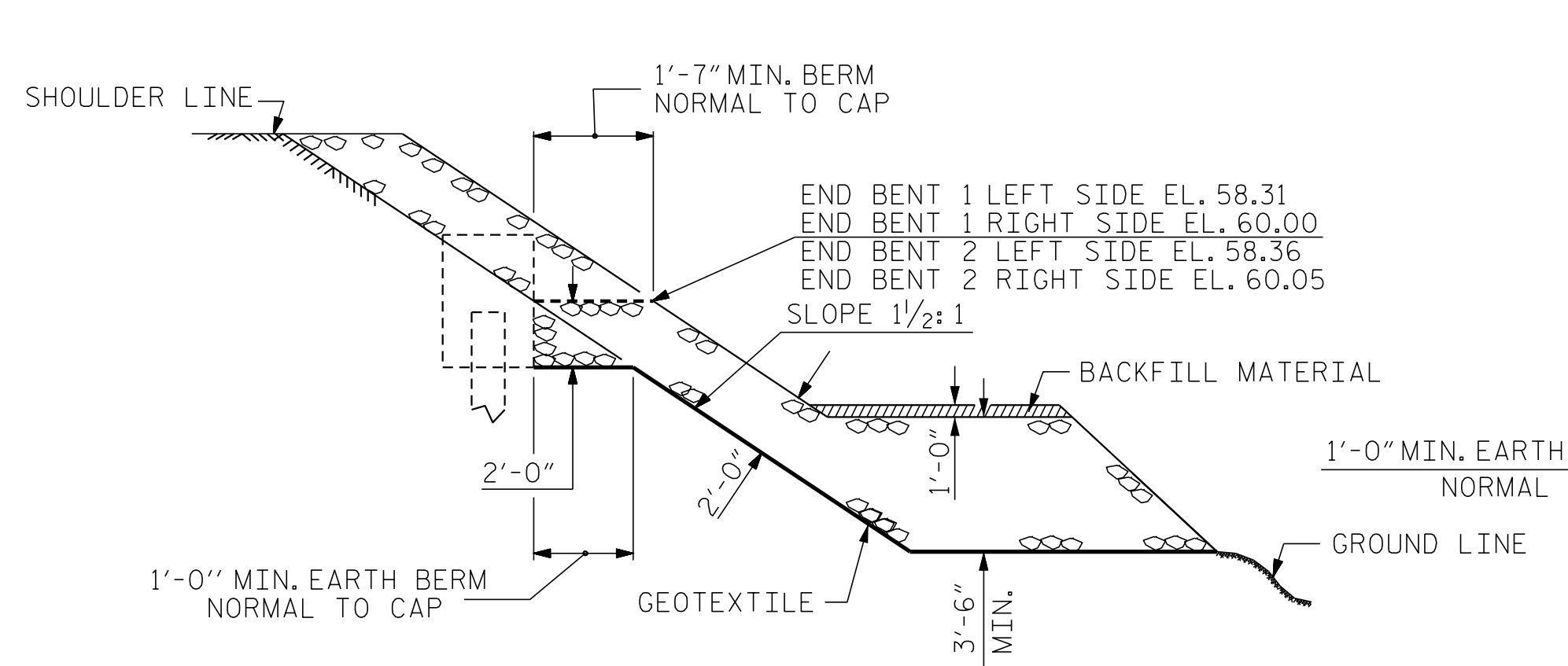
@ END BENT 1



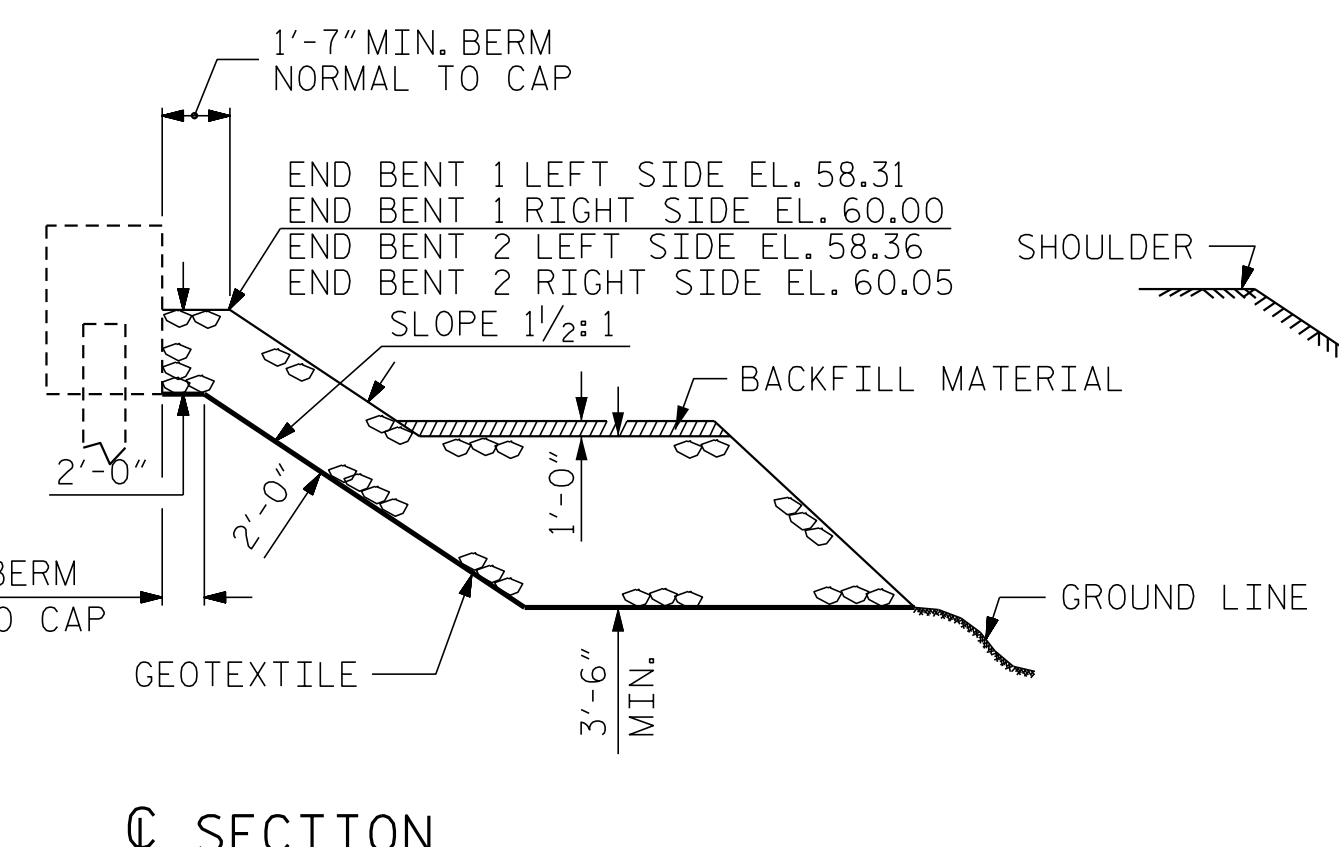
@ END BENT 2

PLAN OF RIP RAP

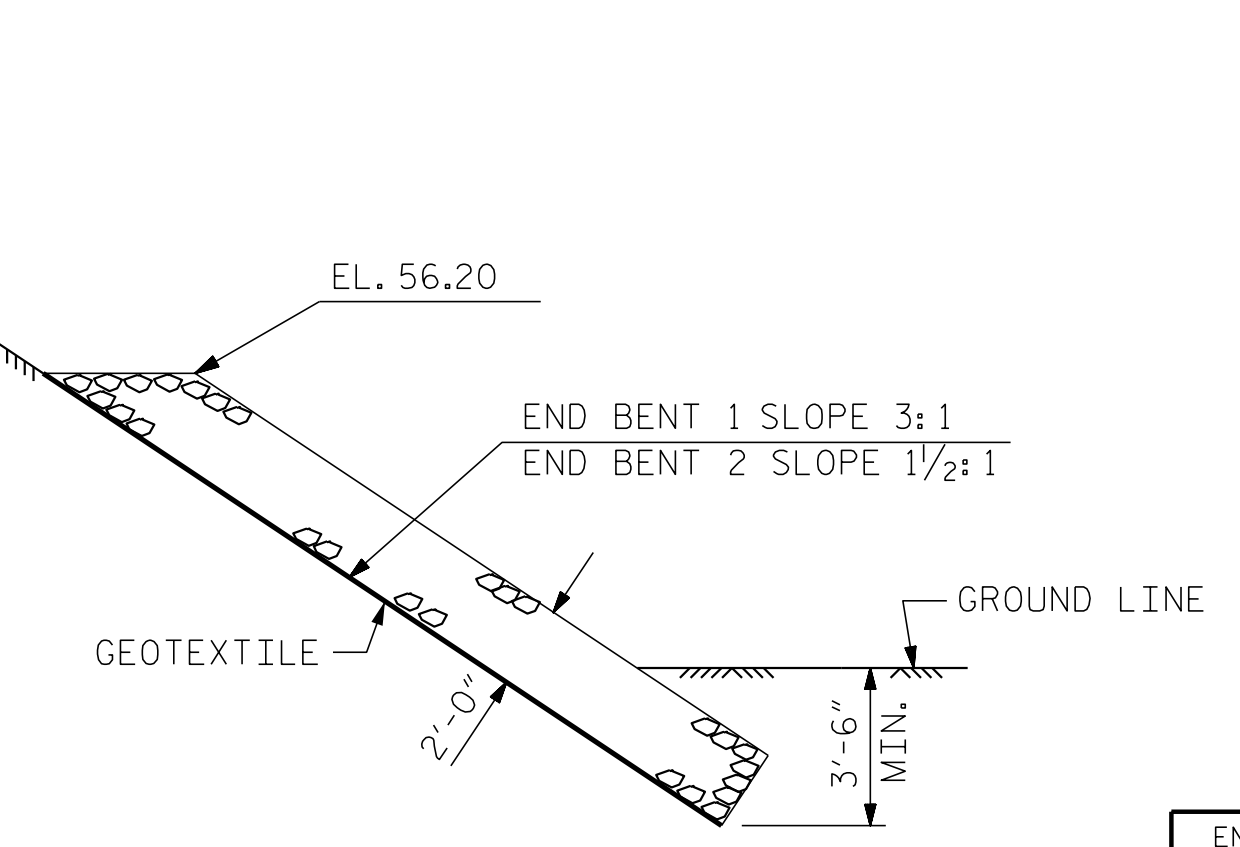
ESTIMATED QUANTITIES		
BRIDGE @ STA. 16+42.60 -L-	RIP RAP CLASS II (2'-0" THICK)	GEOTEXTILE FOR DRAINAGE
	TONS	SQUARE YARDS
END BENT 1	275	225
END BENT 2	285	225



SECTION H-H



SECTION C-C



SECTION C-C

PROJECT NO. BR-0112
EDGEcombe COUNTY
 STATION: 16+42.60 -L-

P:\2019\19105\01_BR-0112\Structures\GMBRO112_STR_RR.dgn
 2/12/2020 2:03:53 PM

DRAWN BY : C. GAUTIER DATE : 5-19
 CHECKED BY : B.C HUNT DATE : 5-19

DOCUMENT NOT CONSIDERED FINAL
 UNLESS ALL SIGNATURES COMPLETED

ENGINEER OF RECORD
 4/29/2020

 DeedSigned by
 John Arthur Dillworth
 02198200202018

 1223 Jones Franklin Rd.
 Raleigh, N.C. 27606
 Bus: 919 851 8077
 Fax: 919 851 8107
 LICENSE NO. F-0377

STATE OF NORTH CAROLINA
 DEPARTMENT OF TRANSPORTATION
 RALEIGH
 STANDARD
 RIP RAP DETAILS

REVISIONS						SHEET NO.
NO.	BY:	DATE:	NO.	BY:	DATE:	S-20
1			3			TOTAL SHEETS
2			4			21