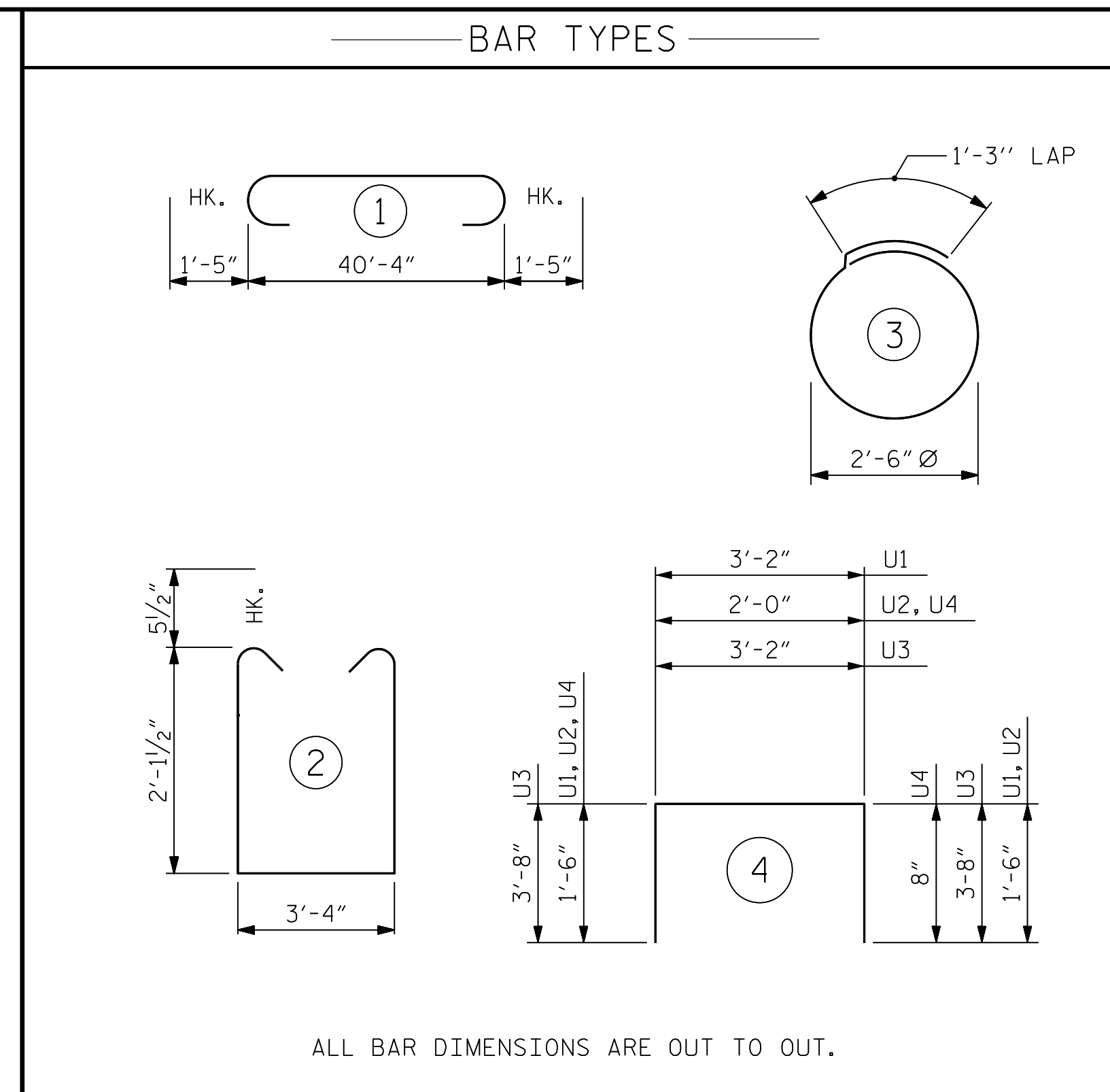
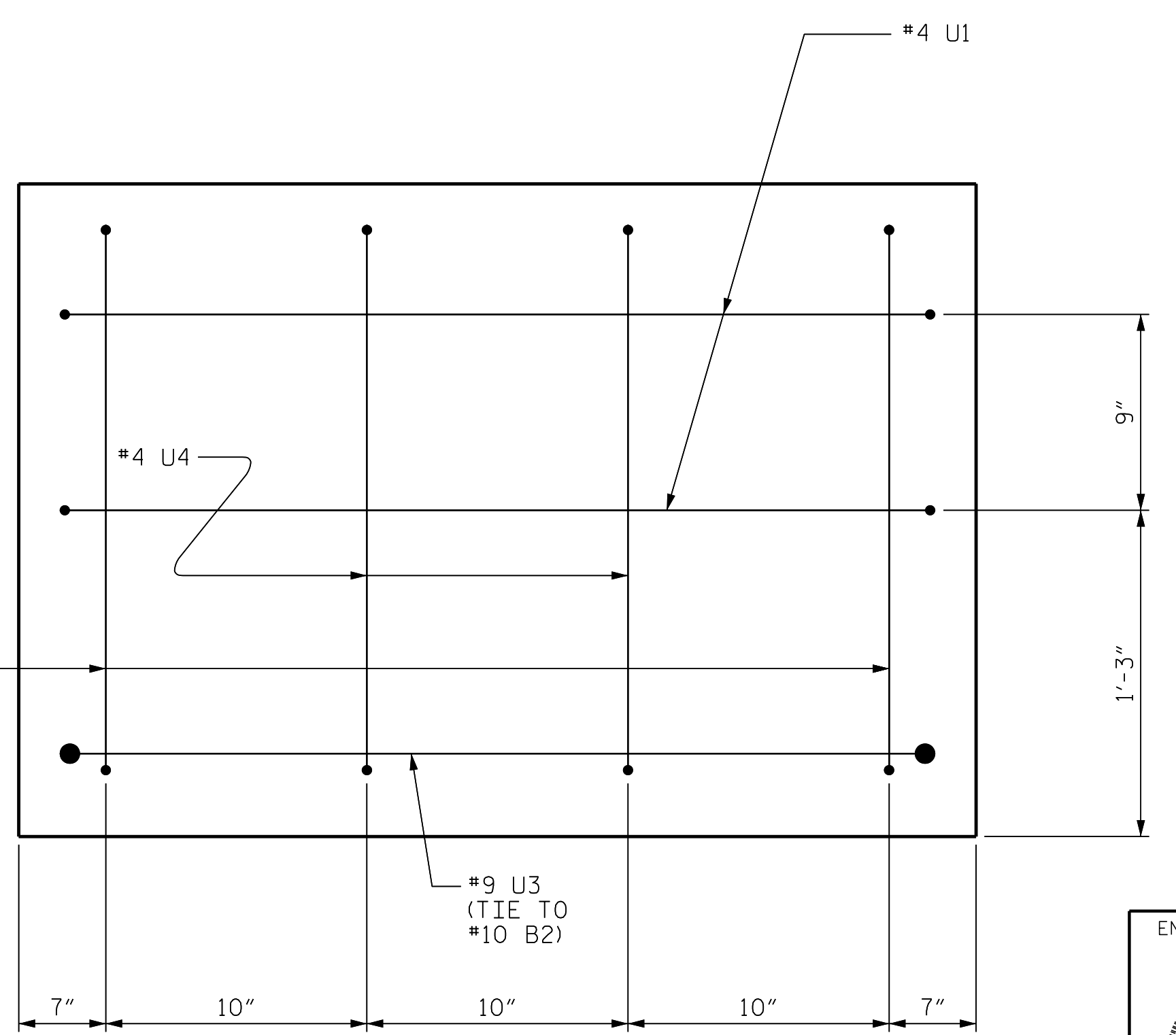


SECTION A-A



ALL BAR DIMENSIONS ARE OUT TO OUT.

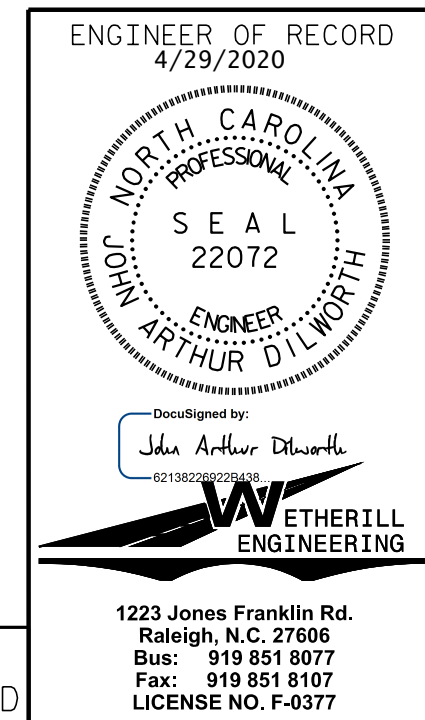


END OF CAP VIEW  
(TYPICAL BOTH ENDS)

BILL OF MATERIAL					
BENT NO. 1					
BAR	NO.	SIZE	TYPE	LENGTH	WEIGHT
B1	4	#10	1	43'-2"	743
B2	4	#10	STR	40'-6"	697
B3	4	#5	STR	40'-6"	169
B4	10	#4	STR	21'-6"	144
B5	11	#4	STR	3'-4"	24
D1	48	#6	STR	1'-6"	108
S1	37	#5	2	8'-6"	328
S2	16	#4	3	9'-2"	98
U1	4	#4	4	6'-2"	16
U2	4	#4	4	5'-0"	13
U3	2	#9	4	10'-6"	71
U4	4	#4	4	4'-2"	11
REINFORCING STEEL					2422 LBS
CLASS A CONCRETE BREAKDOWN					
TOTAL CLASS A CONCRETE					▲ 13.0 C.Y.
20" PRESTRESSED CONCRETE PILES					
NO. 8					LIN. FT. 480
PILE DRIVING EQUIPMENT SETUP FOR 20" PRESTRESSED CONCRETE PILES					
					NO. 8
PILE REDRIVES					NO. 4

▲ CONCRETE DISPLACED BY THE 20" PRESTRESSED CONCRETE PILES HAS BEEN DEDUCTED FROM THE CONCRETE QUANTITY.

PROJECT NO. BR-0112  
EDGEcombe COUNTY  
STATION: 16+42.60 -L-  
SHEET 2 OF 2



REVISIONS					
NO.	BY:	DATE:	NO.	BY:	DATE:
1			3		
2			4		

SHEET NO. S-16  
TOTAL SHEETS 21

DRAWN BY: J. PENDERGRAFT DATE: 11-19  
CHECKED BY: B.C. HUNT DATE: 11-19

DOCUMENT NOT CONSIDERED FINAL UNLESS ALL SIGNATURES COMPLETED

P:\2019\19105.01 BR-0112\Structures\DWG\BR0112\_STR\_BT.dgn 1/8/2020 2:04:19 PM