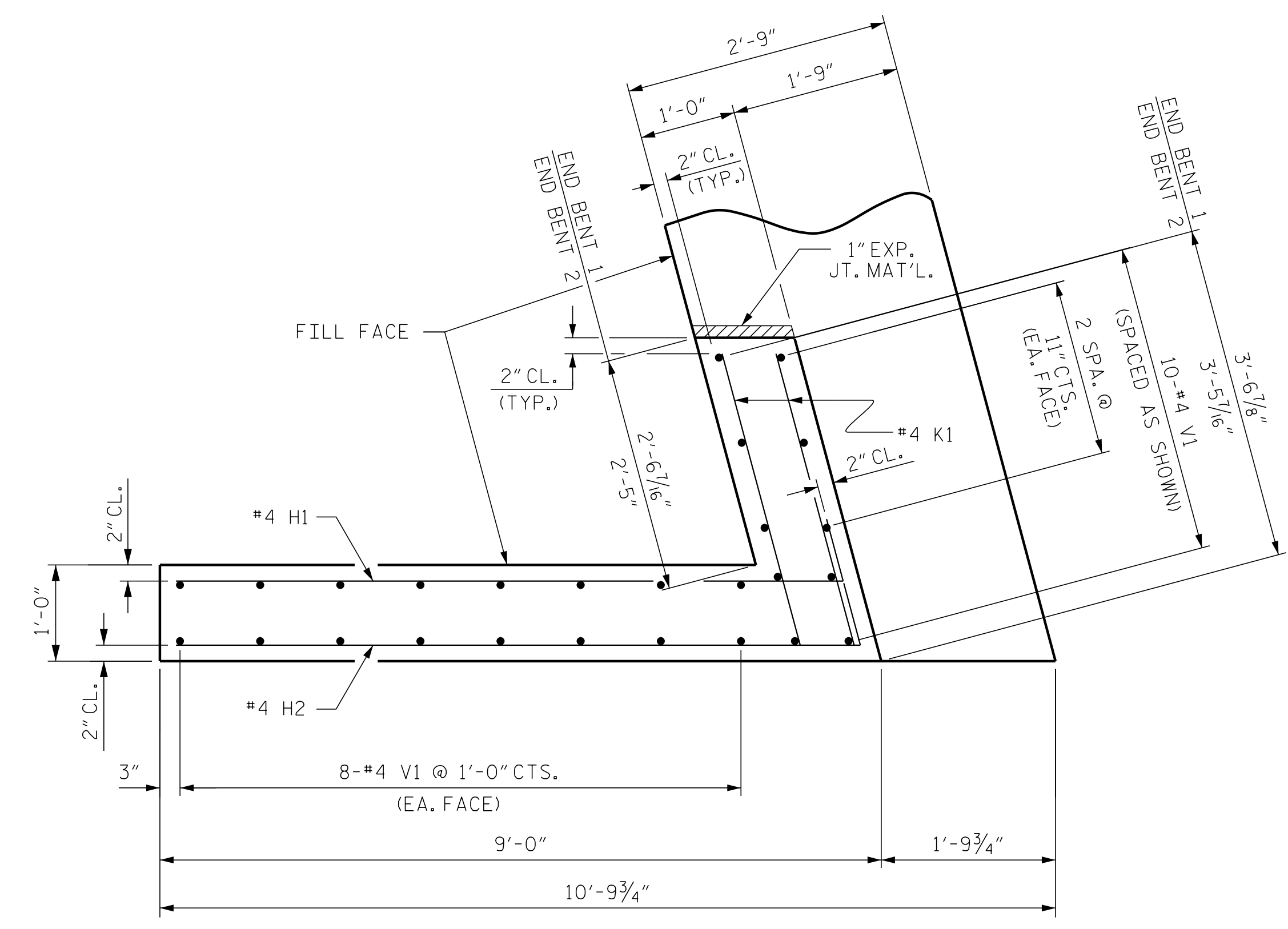
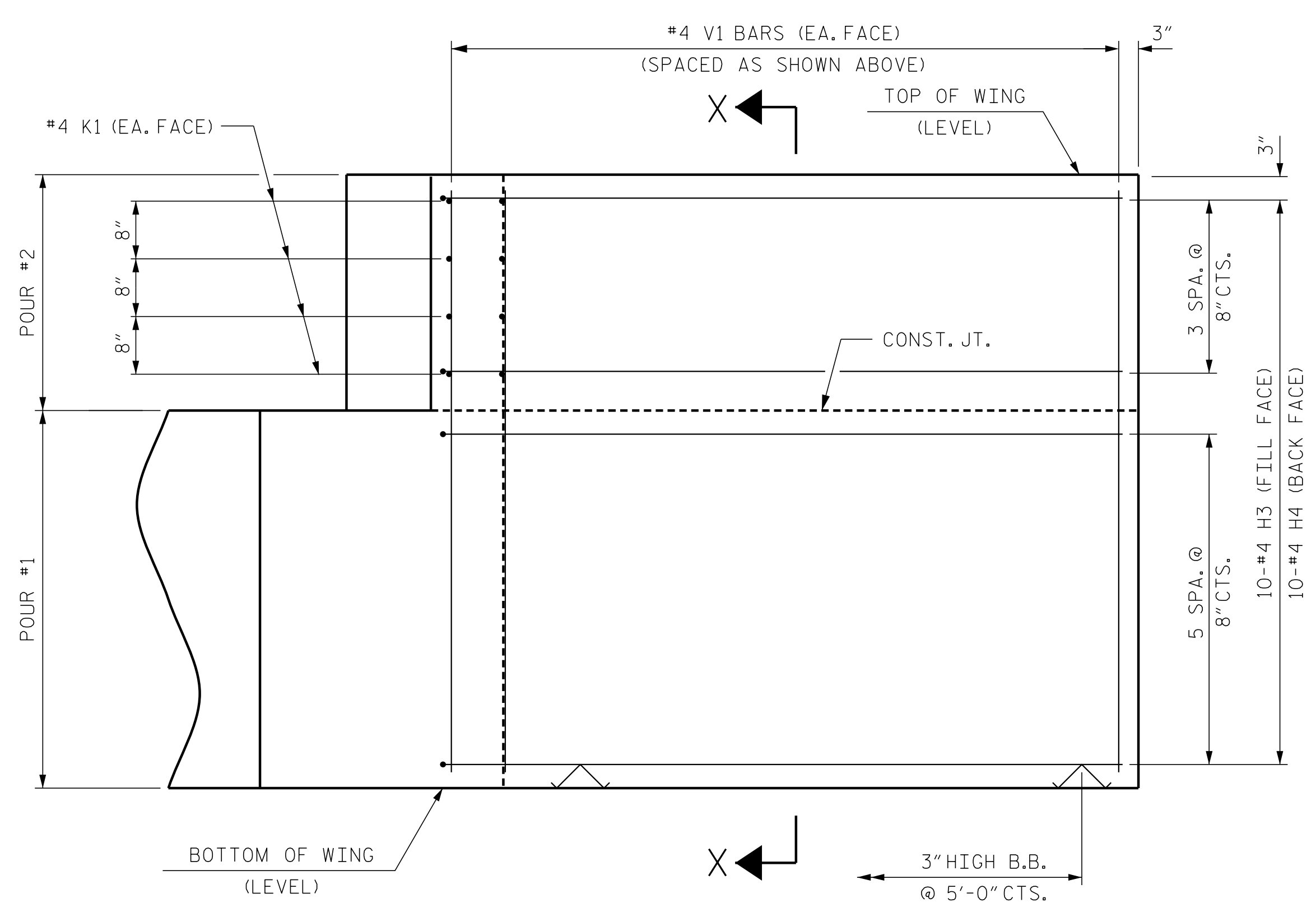


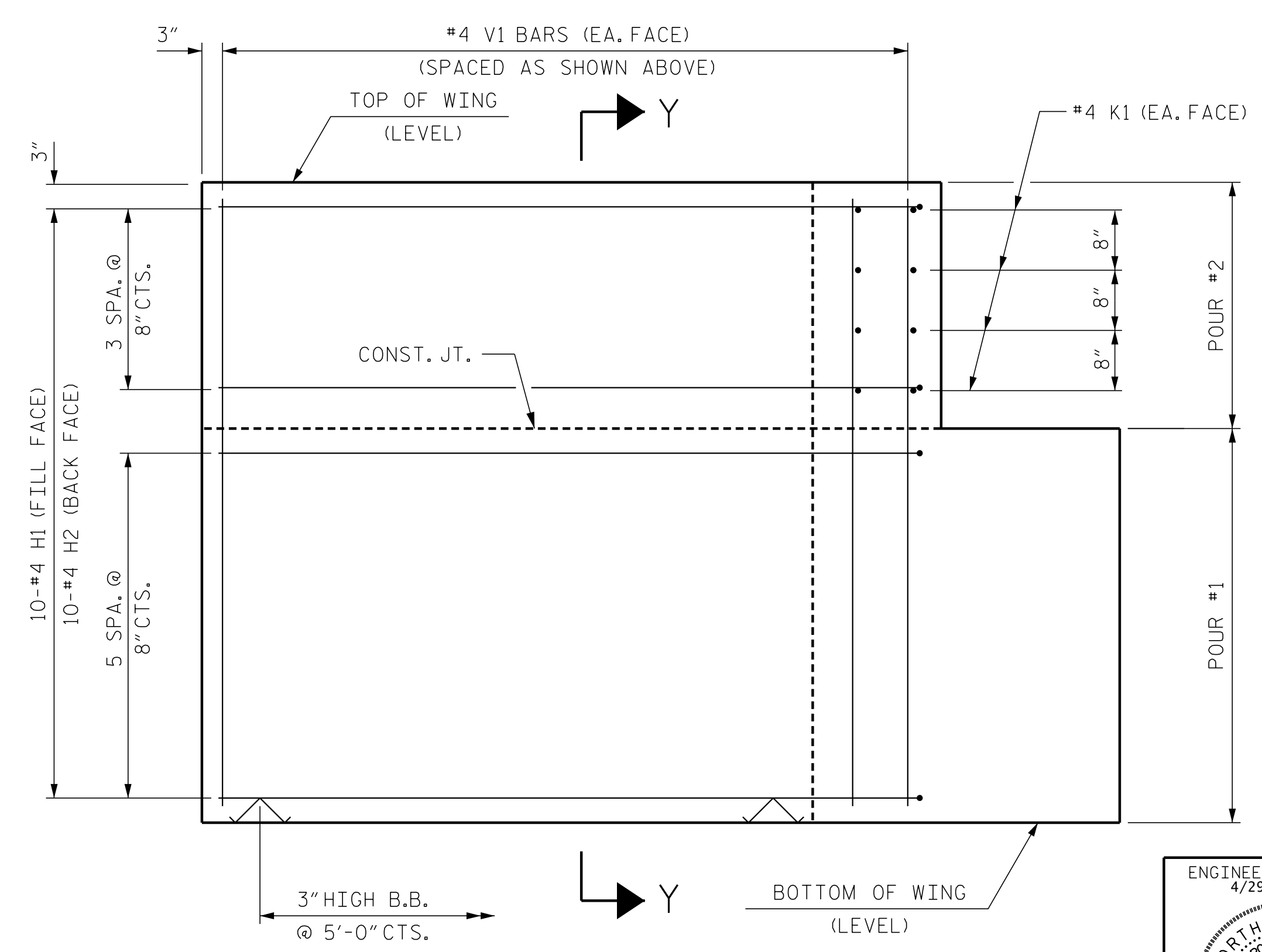
PLAN OF WING (W1)



PLAN OF WING (W2)

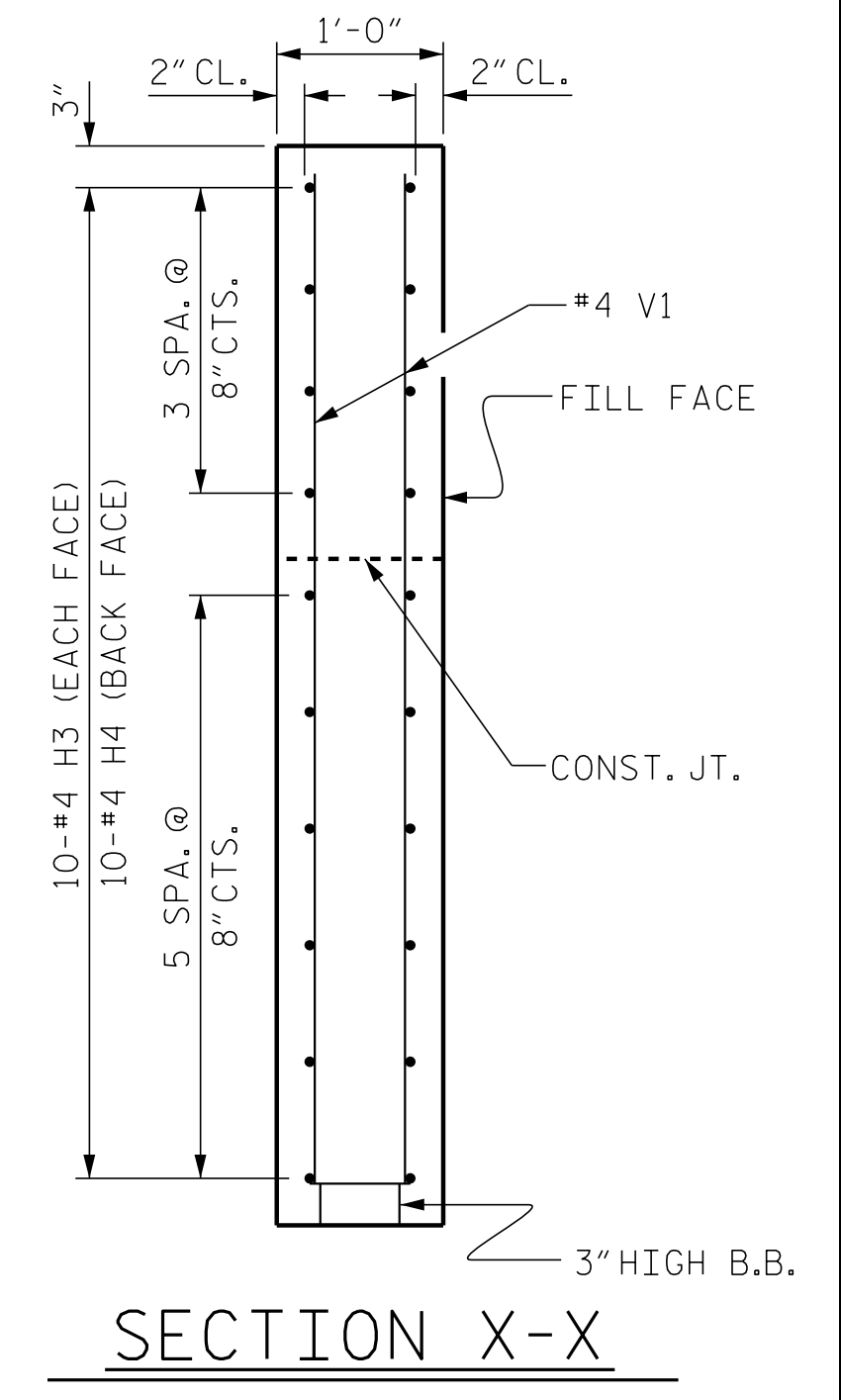


ELEVATION OF WING (W1)

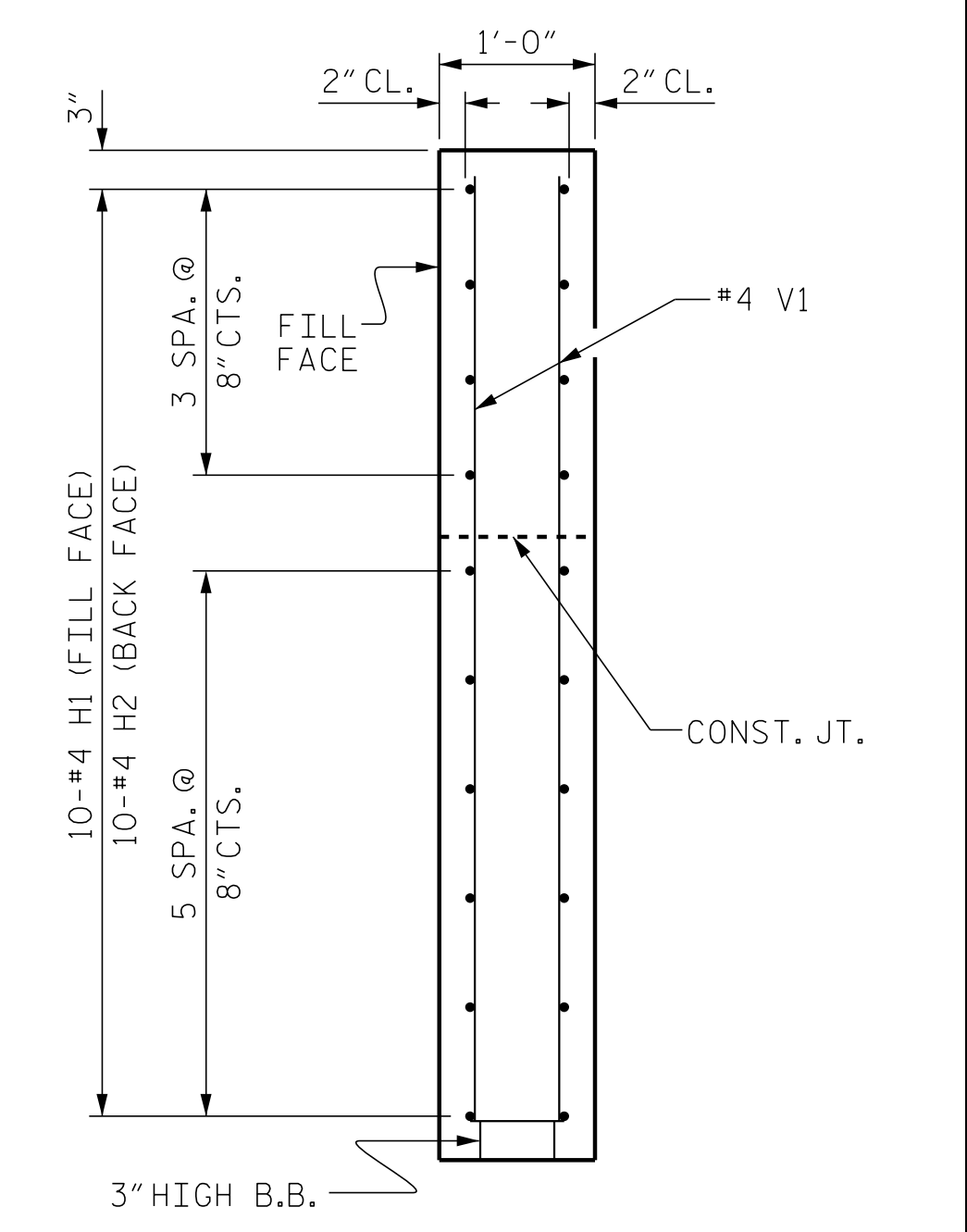


ELEVATION OF WING (W2)

WING DETAILS



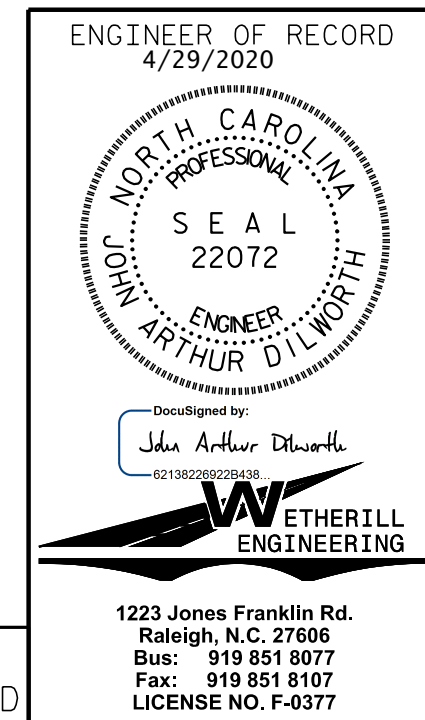
SECTION X-X



SECTION Y-Y

PROJECT NO. BR-0112
 EDGECOMBE COUNTY
 STATION: 16+42.60 -L-

SHEET 3 OF 4



STATE OF NORTH CAROLINA
 DEPARTMENT OF TRANSPORTATION
 RALEIGH

SUBSTRUCTURE
 END BENT
 WING DETAILS

REVISIONS					
NO.	BY:	DATE:	NO.	BY:	DATE:
1			3		
2			4		

SHEET NO. S-13
 TOTAL SHEETS 21

DOCUMENT NOT CONSIDERED FINAL
 UNLESS ALL SIGNATURES COMPLETED

PA-2019-105.01 BR-0112 Structures DGN BR0112_STR_EB.dgn
 1/8/2020 1:58:12 PM

DRAWN BY: J. PENDERGRAFT DATE: 9-19
 CHECKED BY: B. C. HUNT DATE: 10-19