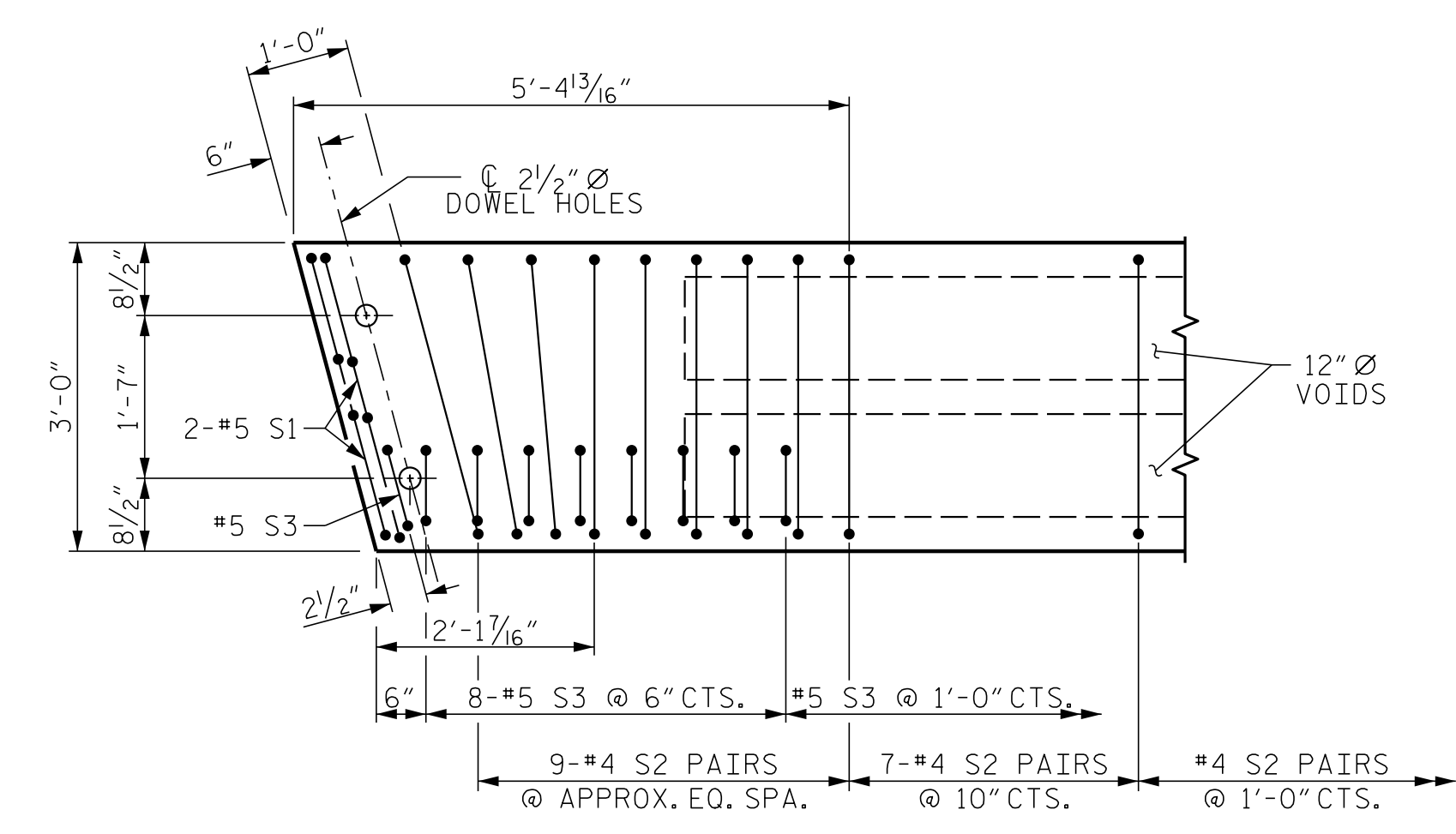
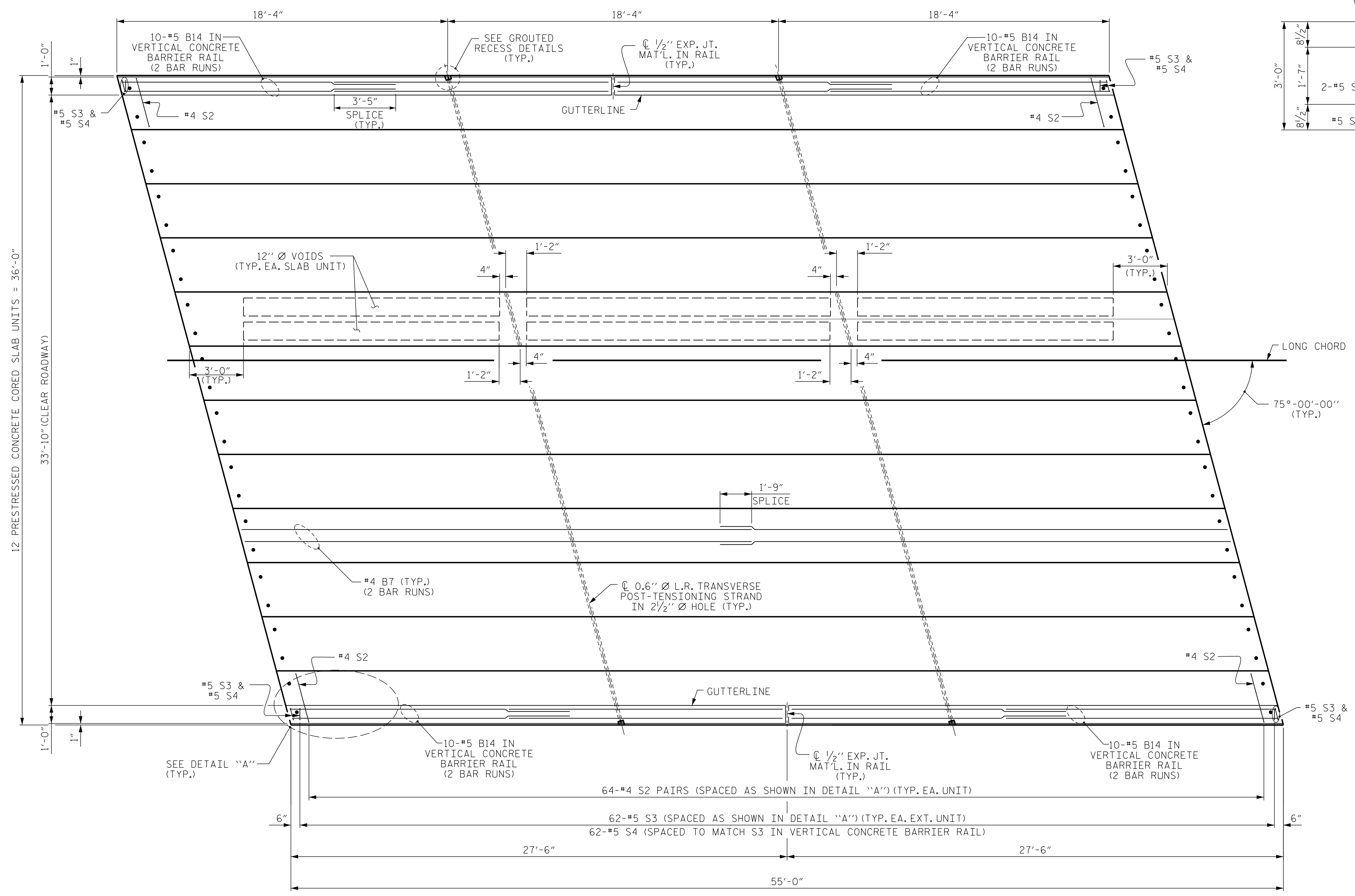


P:\2019\19105.01\_BR-0112\_Structures\DWG\BR0112\_STR\_PS.dgn  
1/8/2020 1:41:52 PM



**DETAIL "A"**  
 (SIMILAR EACH END OF UNIT)  
 NOTE: EXTERIOR UNIT SHOWN - INTERIOR UNIT SIMILAR EXCEPT OMIT #5 S3 BARS.

**PLAN OF UNIT**

PROJECT NO. BR-0112  
EDGEcombe COUNTY  
 STATION: 16+42.60 -L-  
 SHEET 3 OF 5

ENGINEER OF RECORD  
 4/29/2020  
  
 JOHN ARTHUR DILWORTH  
 ENGINEER  
 WETHERILL ENGINEERING  
 1223 Jones Franklin Rd.  
 Raleigh, N.C. 27606  
 Bus: 919 851 8077  
 Fax: 919 851 8107  
 LICENSE NO. F-0377

STATE OF NORTH CAROLINA DEPARTMENT OF TRANSPORTATION RALEIGH					
PLAN OF 55' UNIT 33'-10" CLEAR ROADWAY 75° SKEW SPAN B					
REVISIONS					
NO.	BY:	DATE:	NO.	BY:	DATE:
1			3		
2			4		
SHEET NO.					S-7
TOTAL SHEETS					21

DRAWN BY: J. PENDERGRAFT DATE: 9-19  
 CHECKED BY: B. C. HUNT DATE: 10-19

DOCUMENT NOT CONSIDERED FINAL  
 UNLESS ALL SIGNATURES COMPLETED